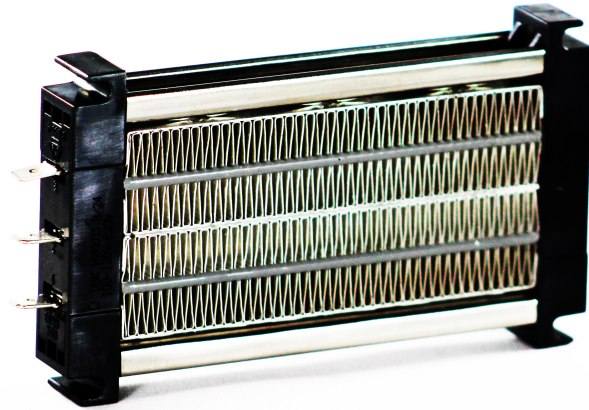


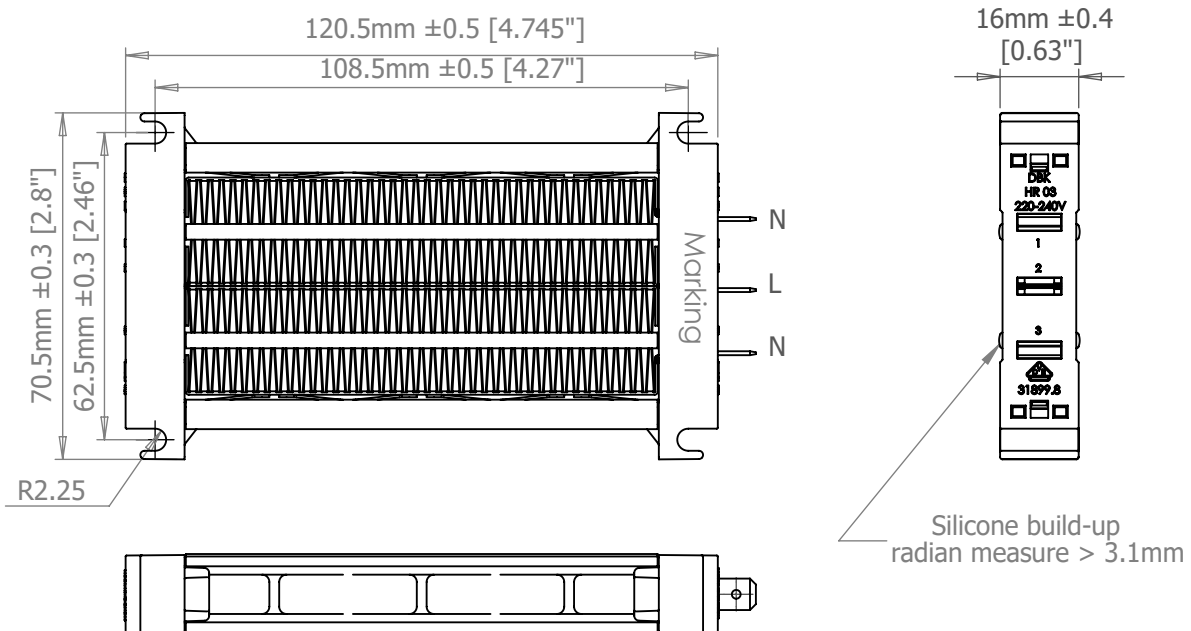
HRKK03 8/24 100-120V

DBK's knowledge of thermal management gives us the experience to guide and support you with your technical challenges - we can manage the complete project from concept to full production release.

Specification Table	
	Description
Marking	DBK HRKK03 8/24 100-120V Date Code
Sample Reference	VS13120
Voltage (V)	100-120 VAC
Power	750W +5/-10% 3.3m/sec 25±2°C 115V
Inrush Current	≤14A@115V



Attention: All metal parts are energised! (live)



DBK 012918. This information is subject to change without notice. Data is given for illustration purposes only and does not release the customer from independent application tests.