



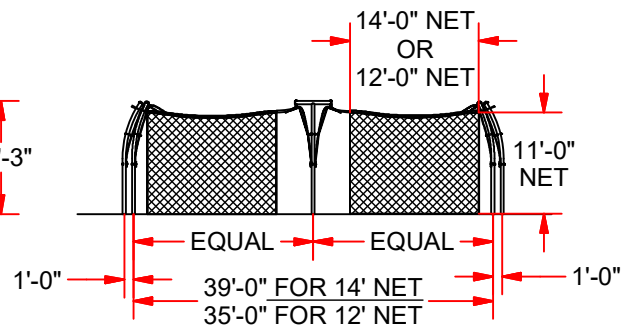
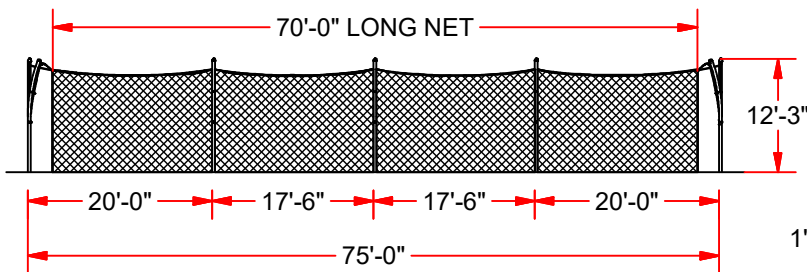
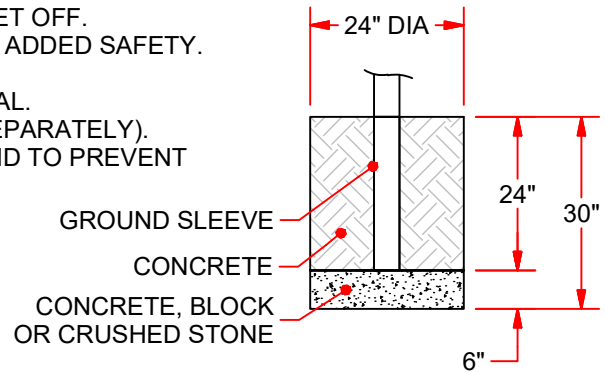
PROTF-70T 70' LONG TANDEM TUNNEL FRAMES



FEATURES:

- POLES MADE OF HEAVY WALLED 4" OD ALUMINUM TUBE.
- INDIVIDUAL HOIST LINES MAKE FOR EASY INSTALLATION AND REMOVAL OF NET.
- CLEAN DESIGN WITH LESS STRUCTURE FOR BALL TO RICOCHET OFF.
- CURVED OUTER SUPPORTS PROVIDE 2 FEET OF OFFSET, FOR ADDED SAFETY.
- SPACING BETWEEN NETS IS 5 FEET.
- INCLUDES SLEEVES WITH COVERS, FOR OFF-SEASON REMOVAL.
- ACCOMMODATES BOTH 12' AND 14' WIDE NETS (NETS SOLD SEPARATELY).
- DESIGNED TO ALLOW 12" OF NET TO COLLECT ON THE GROUND TO PREVENT BALLS FROM ROLLING UNDER.

NOTE: SUGGESTED FOOTING, CHECK LOCAL BUILDING CODES BEFORE STARTING THE FOOTING, AS BUILDING CODES MAY VARY. LOCAL BUILDING CODES SHOULD BE ADHERED TO IF REQUIREMENTS ARE GREATER THAN THOSE OUTLINED HERE.



PROTF-70T

70' LONG TANDEM TUNNEL FRAMES

© COPYRIGHT 2017 JAYPRO SPORTS, LLC. ALL RIGHTS RESERVED
THIS PRINT IS THE PROPERTY OF JAYPRO SPORTS, LLC. AND MAY NOT BE REPRODUCED WITHOUT WRITTEN PERMISSION

www.jaypro.com
(800) 243-0533
976 Hartford Turnpike
Waterford, CT 06385 USA

Sheet 1 of 1