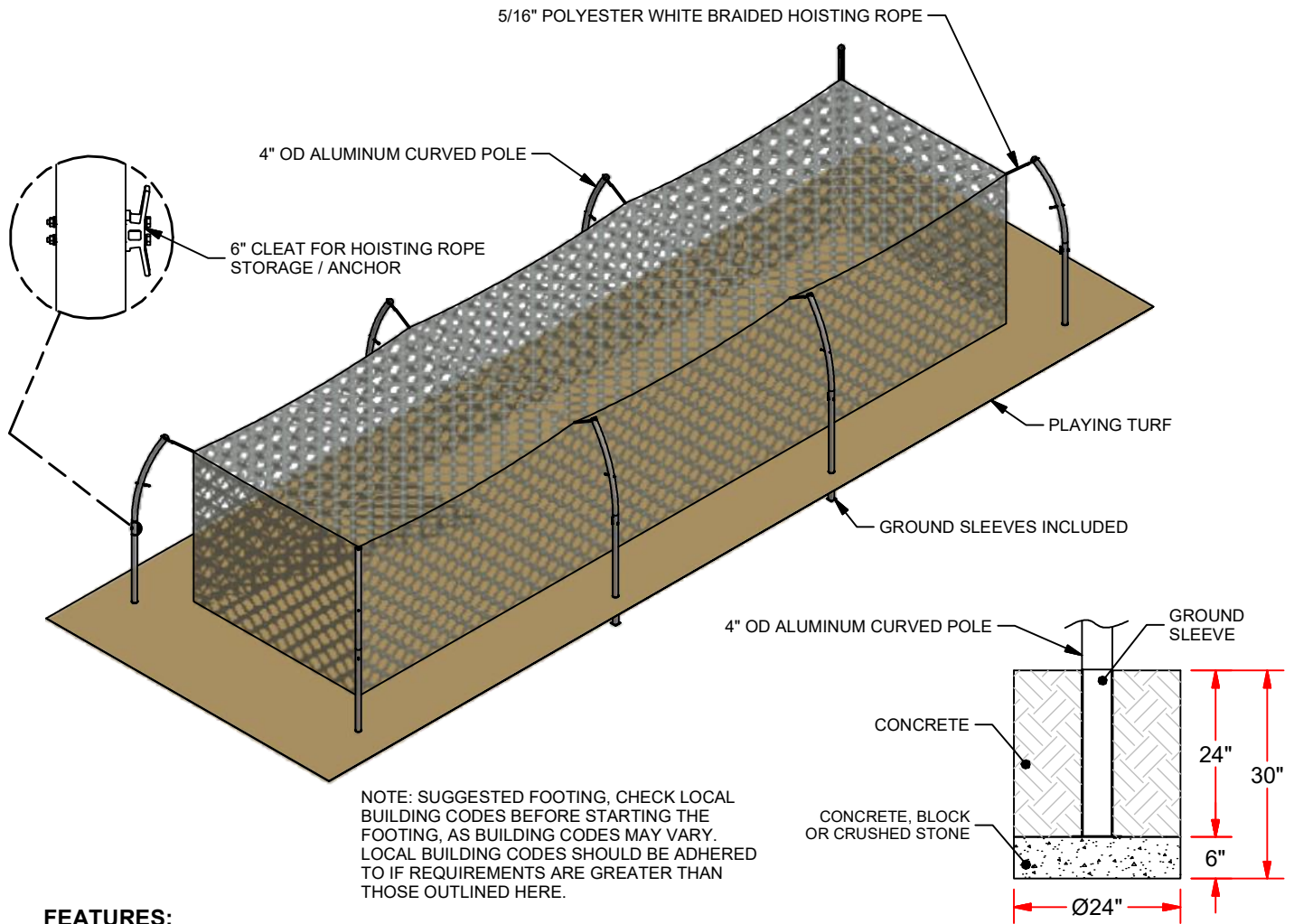


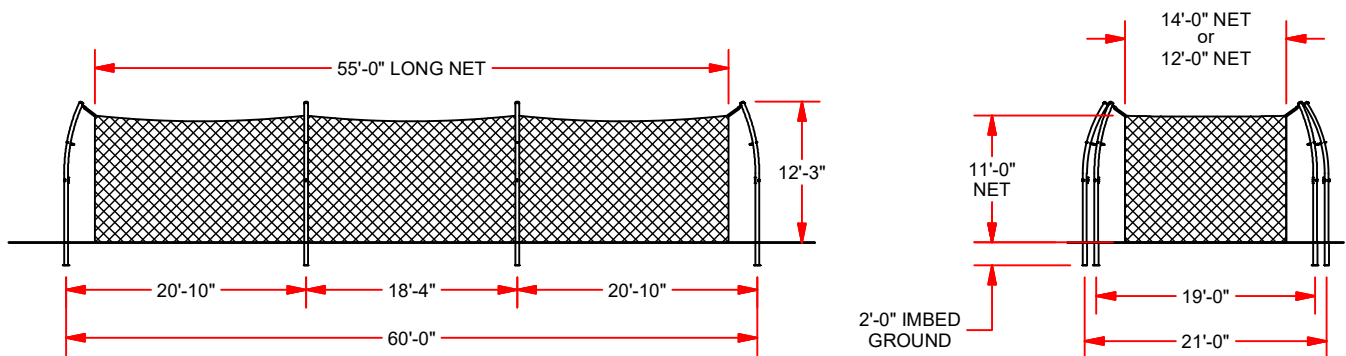


PROTF-55 PROFESSIONAL OUTDOOR BATTING TUNNEL



FEATURES:

- INDIVIDUAL HOIST LINES MAKES FOR EASY INSTALLATION AND REMOVAL OF NET.
- CLEAN DESIGN WITH LESS STRUCTURE FOR BALL TO RICOCHET OFF.
- SUPPORTS ARE CURVED TO PROVIDE 2 FEET OF OFFSET.
- INCLUDES SLEEVES. ACCOMMODATED BOTH 12' AND 14' WIDE NETS
- 12" OF EXCESS NET ON BOTTOM TO PREVENT BALLS FROM ROLLING UNDER.



PROTF-55

PROFESSIONAL OUTDOOR BATTING TUNNEL FRAME 55 FT LONG CAGE

© COPYRIGHT 2017 JAYPRO SPORTS, LLC. ALL RIGHTS RESERVED THIS PRINT IS THE PROPERTY OF JAYPRO SPORTS, LLC. AND MAY NOT BE REPRODUCED WITHOUT WRITTEN PERMISSION

www.jaypro.com
(800) 243-0533
976 Hartford Turnpike
Waterford, CT 06385 USA

Sheet 1 of 1