

BNPBCVGR/BNPCVSH

7 1/2', 15' and 21' Covered Bench



Customer Service
(800) 247-7668

PARTS LIST

Item	7 1/2' Qty	15' Qty	21' Qty	Description	Item	7 1/2' Qty	15' Qty	21' Qty	Description
A	2	3	4	Leg Assembly	N	10	16	22	3/8" Hex Nut
B	2	2	2	Aluminum Seat	O	2	3	4	Snap Link Pin
C	1	2	3	Spreader Bar	P	12	18	24	1/4" X 2 3/4" Hex Bolt
D	2	4	6	Ballast Drum	Q	12	18	24	1/4" Lock Washer
E	4	8	12	Locking Collar	R	12	18	24	1/4" Hex Nut
F	3	6	9	Horizontal Brace	S	8	8	8	#10 X 3/4" Sheet Metal Screw
G	2	3	4	Outrigger	T	1	1	1	Shade Cover
H	4	6	8	Square Plug	U	2	3	4	59" Retaining Strap
I	2	3	4	Round Plug	V	3	6	9	80" Retaining Strap
J	8	12	16	Bench Clamp	W	66	120	174	#12 X 3/4" Self Drilling Screw
K	8	12	16	3/8" X 3" Carriage Bolt	X	2	4	6	Ballast Plug
L	2	4	6	3/8" X 2 1/2" Hex Bolt	Y	4	4	4	End Cap
M	10	16	22	3/8" Lock Washer					

- ◆ Inspect all contents prior to installation. Report any missing parts to dealer immediately.
- ◆ Read all instructions before proceeding.

1. Fill each *Ballast Drum* (D) completely with sand, making sure the sand is compacted. They should hold approximately 60-75 lbs. of sand each. Once full, install the *Ballast Plug* (X) and tighten securely to ensure there is no sand escaping. See Figure 1.

2. Place two *Locking Collars* (E) onto each *Spreader Bar* (C) approximately 15" from each end. Slide a *Ballast Drum* (D) onto each end of the *Spreader Bar* (C). Install a *Locking Collar* (E) onto the end of *Spreader Bar* (C). Position *Locking Collars* (E) within 1/8" of *Ballast Drum* (D), tighten the set screws on all *Locking Collars* (E). See Figure 1.

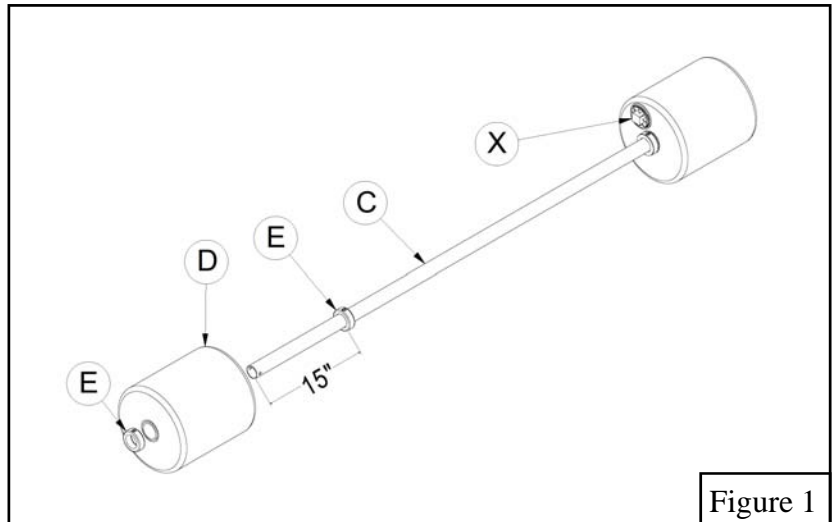


Figure 1

3. Use $3/8''$ X $2\ 1/2''$ Hex Bolts (L), $3/8''$ Lock Washers (M) and $3/8''$ Hex Nuts (N) to attach Leg Assemblies (A) to each end of the Spreader Bar Assemblies (C)(D)(E). See Figure 2.

4. Use $1/4''$ X $2\ 3/4''$ Hex Bolts (P), $1/4''$ Lock Washers (Q) and $1/4''$ Hex Nuts (R) to attach three Horizontal Braces (F) between each set of Leg Assemblies (A). See Figure 3.

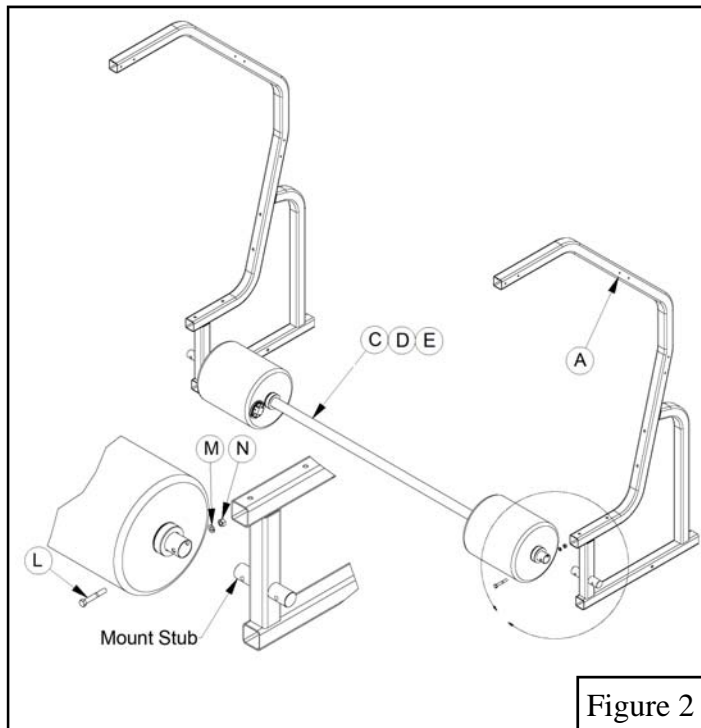


Figure 2

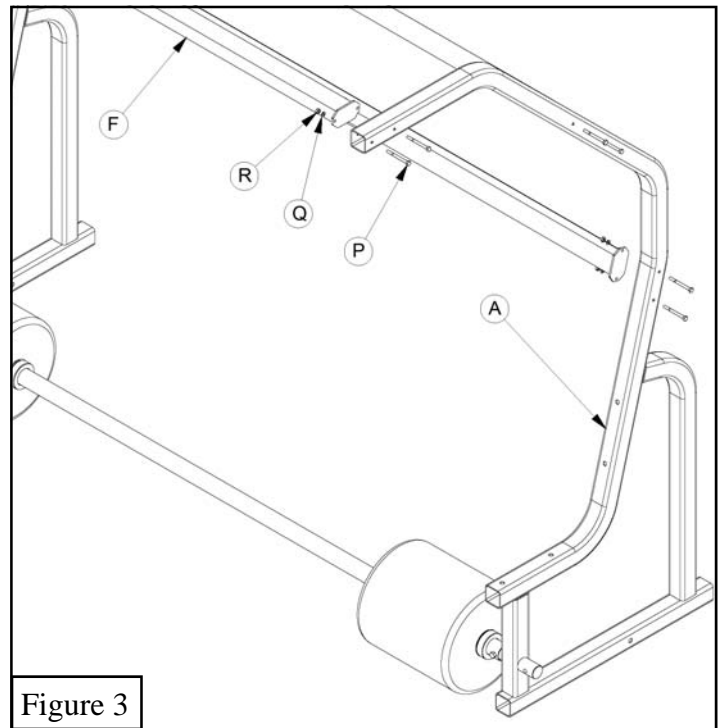


Figure 3

5. Use Bench Clamps (J), $3/8''$ X $3''$ Carriage Bolts (K), $3/8''$ Lock Washers (M) and $3/8''$ Hex Nuts (N) to attach Aluminum Seats (B) to Leg Assemblies (A). Make sure there is equal distance of Aluminum Seat (B) overhang on each end of the bench prior to tightening the hardware. See Figure 4.

6. Press Round Plugs (I) into the open end furthest from the holes on the Outriggers (G). Insert Outriggers (G) into the lowest opening of each Leg Assembly (A) and secure with Snap Link Pin (O). See Figure 5.

7. Press Square Plugs (H) into the open ends of Leg Assemblies (A). See Figure 5.

8. Use #10 X $3/4''$ Sheet Metal Screws (S) to install End Caps (Y) on each end of Aluminum Seat (B). See Figure 5.

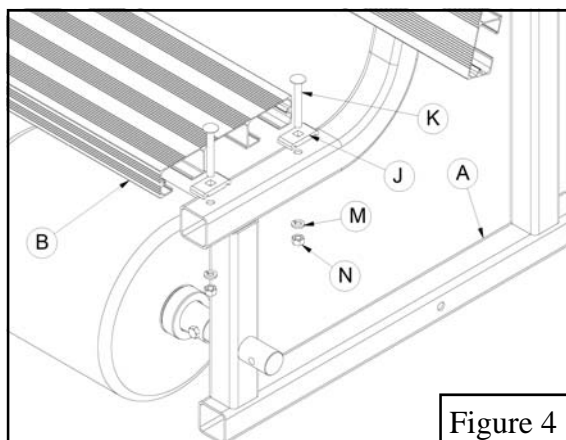


Figure 4

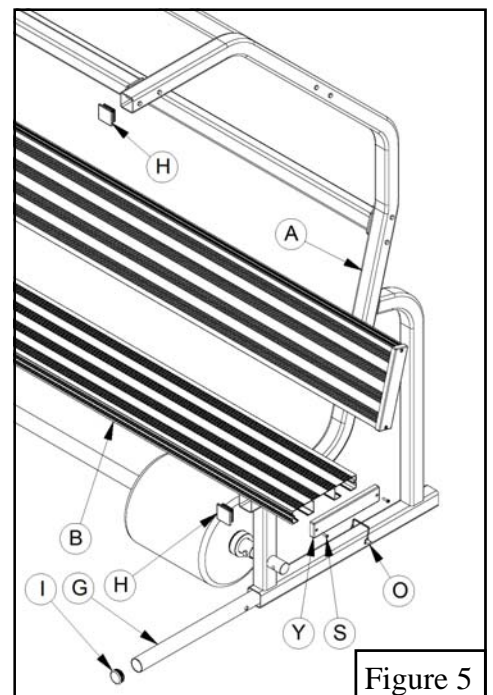


Figure 5

9. Spread *Shade Cover* (T) over the bench assembly. Position *Shade Cover* (T) flush with the front of the top *Horizontal Braces* (F) and centered on bench assembly. Center *80" Retaining Strap* (V) on the *Horizontal Braces* (F). Drill through both *80" Retaining Strap* (V) and *Shade Cover* (T) into *Horizontal Brace* (F) with *#12 X 3/4" Self Drilling Screws* (W) every 6 inches. Once the top edge is secured attach *59" Retaining Straps* (U) on each *Leg Assembly* (A) with *#12 X 3/4" Self Drilling Screws* (W) every 6 inches. Use *#12 X 3/4" Self Drilling Screws* (W) to attach the remaining *80" Retaining Straps* (V) centered on the remaining *Horizontal Braces* (F). See Figure 6.

Warning!

The Outriggers must be extended at all times except during transport to avoid tip-over danger

10. To move the shade covered bench remove *Snap Link Pin* (O) and slide *Outrigger* (G) into *Leg Assembly* (A) until the transport position hole lines up with the hole in *Leg Assembly* (A), secure with *Snap Link Pin* (O). Tilt bench forward and roll to desired location, return each *Outrigger* (G) to the extended position. See Figure 7.

