



Check to make sure you have all the parts listed in the parts list below. You will need a phillips head screwdriver, a pair of pliers, and an adjustable wrench to assemble your ultimate pitching machine.

Note: Knobs and bolts may loosen after use. Please check occasionally and re-tighten to keep your **Ultimate Pitching Machine UPM 45** in safe working condition.

PARTS LIST

Parts Bag

- A. Base Tube End Caps
- C. 3/8" X 1-3/4" Hex Bolt ... 2 pcs
- D. 9/16" Nyloc Nut ... 3 pcs
- E. 3/4" Flat Washer ... 4 pcs
- H. 6mm Triangular Knob ... 2 pcs
- I. 3/8" x 1-5/8" Hex Bolt ... 1 pc
- J. Nylon Support Block ... 1 pc
- K. Micro Adjustment ... 1 pc

Pre-attached Hardware

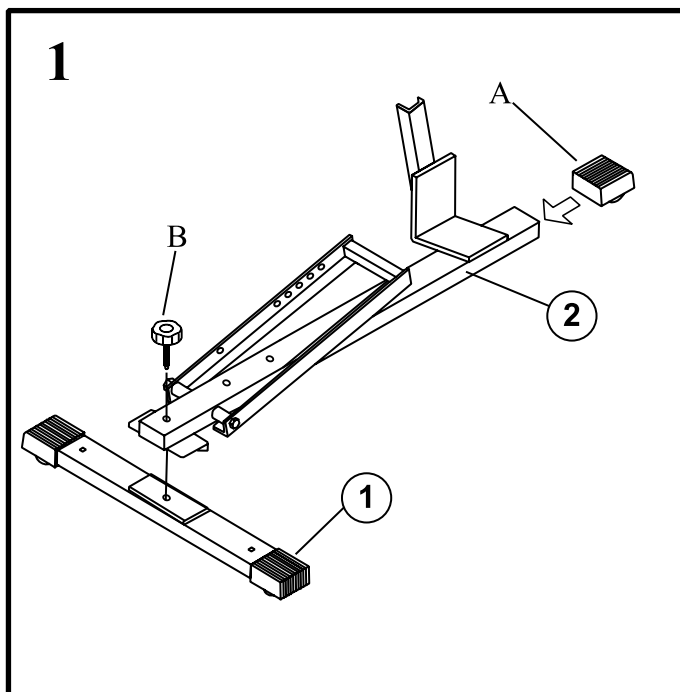
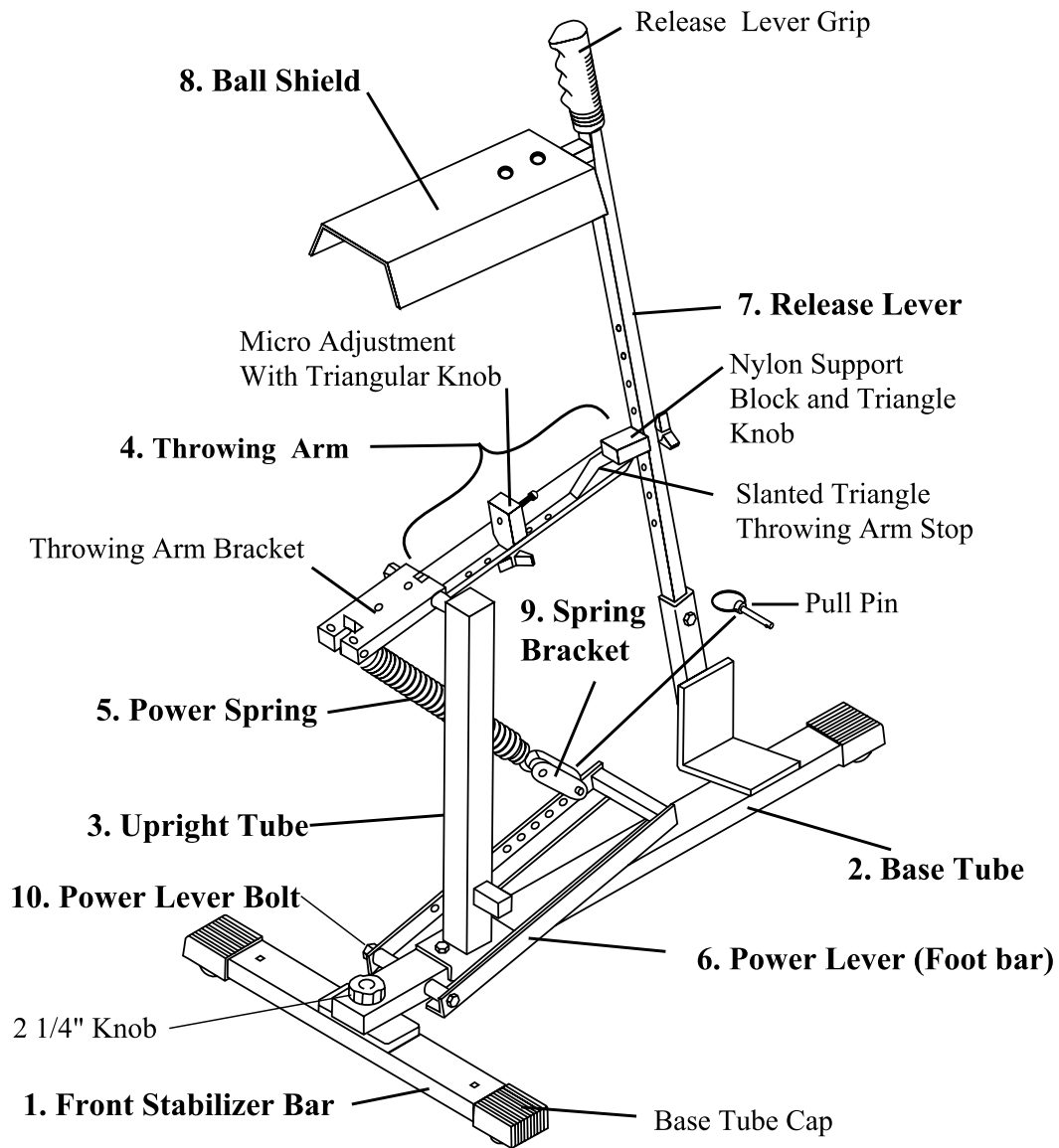
- B. 5/16" x 2-1/4" Knob ... 1 pc
- F. 3/4" Nyloc Nut ... 1 pc
- L. Pull Pin ... 1 pc
- G. Triangle Slanted Throwing Arm Stop ... 1 pc
- M. 12mm Screw ... 2 pcs
- R. 3/8" Phillips Head Screw

Spike System

- N. 2-3/16" Carriage Bolt ... 2 pcs
- O. O.D. 1-3/4" Washer ... 2 pcs
- P. O.D. 15mm x 14mm Spacer ... 2 pcs
- Q. Spike ... 2 pcs

A		J	
B		K	
C		L	
D		M	
E		N	
F		O	
G		P	
H		Q	
I		R	





Step #1

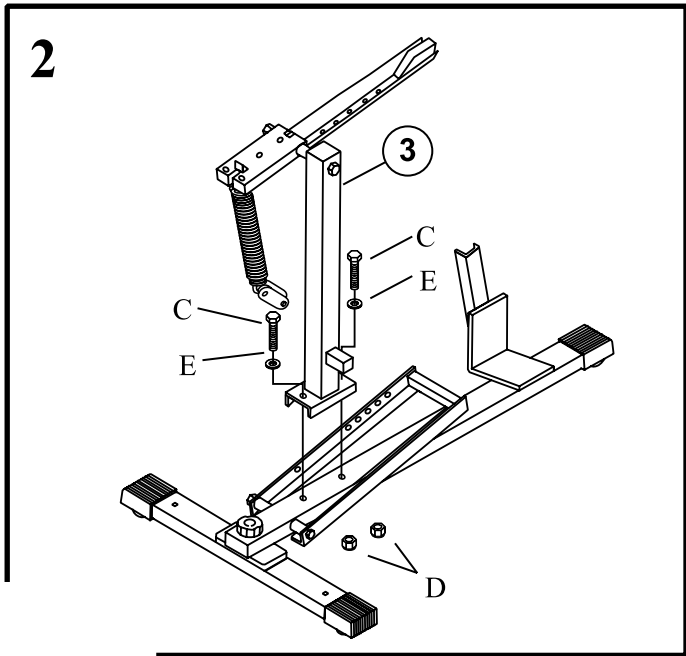
Put base tube end cap (A) onto base tube (2). One 3/8" phillips head screw (R) is preattached to the base tube. Remove this screw, put the cap onto the base and reattach the screw. Attach front stabilizer bar (1) to base tube (2) using 2-1/4" knob (B). See drawing #1. Knob (B) is preattached to the stabilizer bar (1). The base tube has two plastic bolt covers used to protect the power lever bolt (10) during shipment. Remove these covers.

Step #2

Attach upright tube (3) to base (2) using 1-3/4" hex bolts (C), 3/4" flat washers (E), and 9/16" nyloc nuts (D). Place washers on base and insert bolts through base, securing on bottom side using nyloc nuts. Make sure upright tube is secured on two sides. See drawing #2.

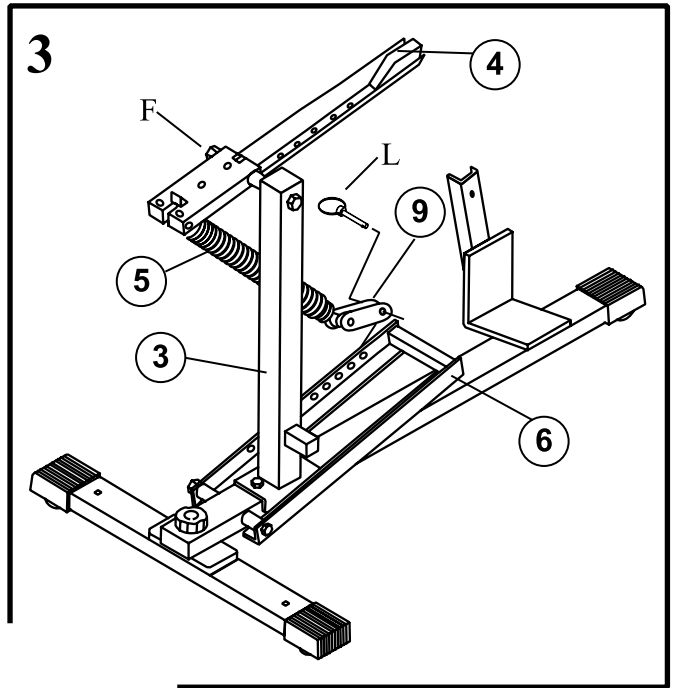
Step #3

Throwing arm (4) is preassembled onto the upright (3). The power spring (5) is preattached to the throwing arm (4). Select desired position and secure spring to power lever (footbar) (6) using



Step #3 Cont.

preattached pull pin (L). See **adjustments** section of the enclosed **User's Manual**. Be sure open side of spring bracket (9) slot faces the power lever. See drawing #3. After use, the 3/4" nyloc nut (F) which secures the throwing arm to the upright, may loosen. When retightening, be sure not to overtighten.



Step #4

Attach release lever (7) to base (2) using 3/8" x 1-5/8" hex bolt (I). Secure to base (2) with 3/4" flat washers (E) and 9/16" nyloc nut (D). Be careful not to overtighten. See drawing #4

Step #5

At top of release lever you will find the ball shield support tube (11). Two 12mm screws (M) are preattached. Remove them. Place ball shield (8) onto release lever shield support tube, and replace screws. See drawing #4.

Step #6

Attach micro adjustment (k) to throwing arm (4) using 6mm triangular knob (h). See drawing #5 on back.

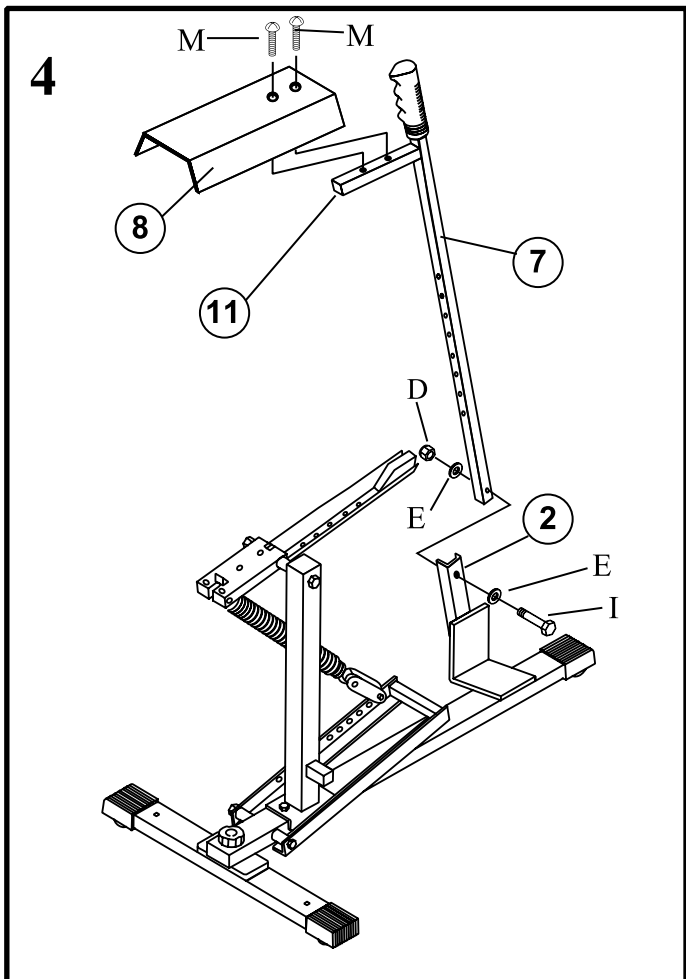
Step #7

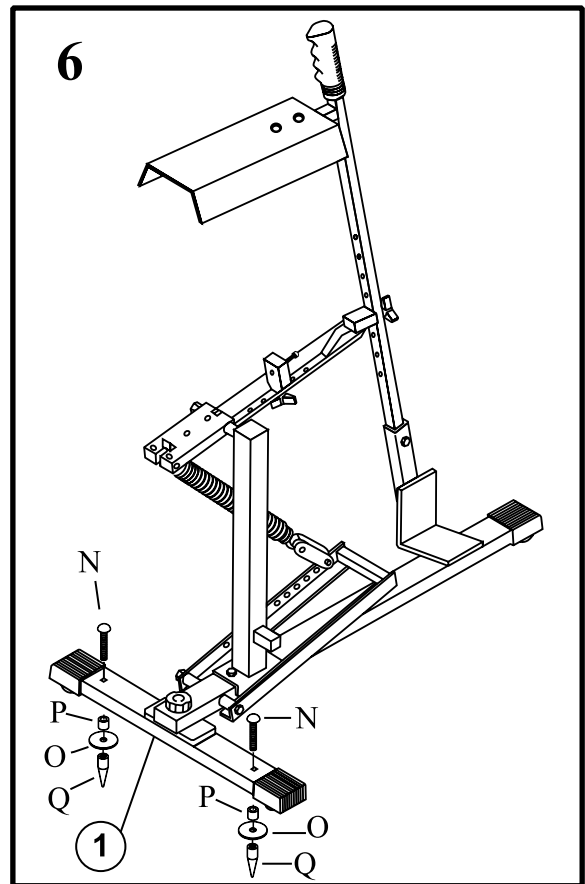
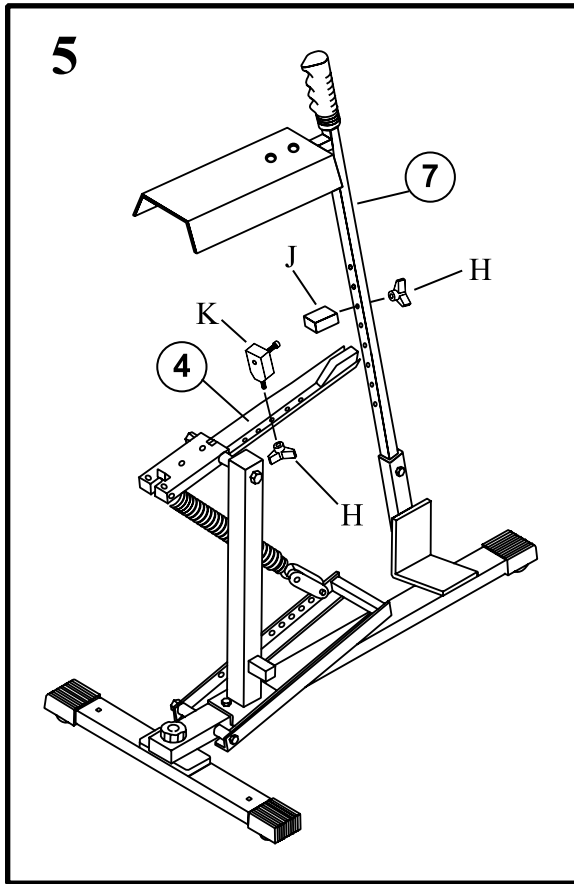
Find the nylon support block (j). Place into release lever (7) at desired height (see section of the enclosed), **Adjustments User's Manual** securing it to the lever using triangular knob (h). See drawing #5 on back page.

Outside use: For use outside please use the spike system. Attach spikes (q) on either side of the front stabilizer (1) using 2-3/16" carriage bolts (n), 1-3/4" washers (o), and o.d. 15mm x 14mm spacers (p) provided. The spikes are preassembled in the parts bag. Disassemble them. Place carriage bolt through front stabilizer bar from the top. Place spacer onto the bolt from the bottom. Place washer onto bolt, resting it against the spacer. Thread spike onto the bolt. See drawing #6 on back.

Note: Before use, be sure to check to see that all bolts, nuts, and knobs are securely tightened.

Read all material before you start and always use good judgment in operating your machine safely.





Manufacturer's 60 Day Limited Warranty:

GameMaster will for sixty days from the proof of purchase, repair or replace at its factory any part (at its desecration) which may prove to be defective in materials or workmanship. Please note that commercial use of the Ultimate Baseball Product will void the warranty coverage. This warranty does not cover damage resulting from mishandling in transit, acts of nature, customer made alterations, vandalism, misuse, abuse, lack of reasonable care or normal wear on items, such as those having finished or painted surfaces.

Any replacement product may be either new or like new, provided that it has functionality at least equal to that of the product being replaced. To obtain service under this warranty, return product to place of purchase.

No implied warranty shall extend beyond sixty days from the proof of date of purchase. The liability of GameMaster under this warranty shall be limited to the repair or replacement of defective parts within sixty days of the date of purchase. GameMaster shall not be liable for any incidental or consequential damages. Some states do not allow limitations on how long an implied warranty last or the exclusions or limitations of incidental or consequential damages, so the above limitations or exclusions may not apply to you. This warranty gives you specific rights, and you may also have other rights, which vary from state-to-state and country-to country.

Any Questions or Comments about your Louisville Slugger™ Ultimate Pitching Machine, Please contact us at...

GAME MASTER. 1624 Dolwick Drive
Erlanger, KY 41018

Web site: www.gamemasterathletic.com

"Louisville Slugger™", "TPX" and "TPS" are registered trademarks of Hillerich & Bradsby Company, Louisville, KY. Licensed by Hillerich * Bradsby Company, Louisville, KY, USA. www.slugger.com