

VB810

Arena II Court Adder



Customer Service
(800) 247-7668

PARTS LIST					
Item	Qty	Description	Item	Qty	Description
A	1	VB810 Base	F	2	Velcro Net Collar
B	1	VB810 Transport Dolly	G	1	1/8" Allen Wrench
C	1	Center Post	H	1	VB340 Sleeve Adapter (Optional)
D	1	VB510P Pole Pad	I	1	VB354 Sleeve Adapter (Optional)
E	1	VB810 Base Pad (2 Pieces)			

- ◆ Inspect all contents prior to installation. Report any missing parts to dealer immediately.
- ◆ Read all instructions before proceeding.

Warning!

The Arena II Court Adder is designed to be used as the center post only. Used as an end post for any net system could cause serious injury

1. To move the *VB810 Base (A)* insert the hook on *VB810 Transport Dolly (B)* into the hidden hole located on the bottom of the *VB810 Base (A)*. Once engaged rotate the *VB810 Transport Dolly (B)* down to lift the front of the *VB810 Base (A)* off the ground and onto the back wheels. See Figure 1.
2. Insert *Center Post (C)* into the socket on the *VB810 Base (A)*. Depending on the size of pole that is used you may need to use the *optional VB340 Sleeve Adapter (H)* or the *optional VB354 Sleeve Adapter (I)*. See Figure 1.
3. Center *VB810 Base (A)* approximately 37' from each outside post with the skid bars parallel to the court. See Figure 3.
4. You may need to adjust the rubber foot on the bottom of the *Center Post (C)* to insure the *Center Post (C)* is at the correct height when the pin stops are used to set different net heights. To do so loosen set screw in the collar of the bottom adjustable foot with the *1/8" Allen Wrench (G)*. Turning the adjustable foot clockwise will lower net height, counter-clockwise will raise net height. Each revolution of the adjustable foot will raise or lower pole by approximately 3/16". Make sure you use full revolutions, the set screw must mate with the machined flat on the adjustable foot to eliminate screw damage. Tighten set screw once all adjustments have been made. See Figure 2.

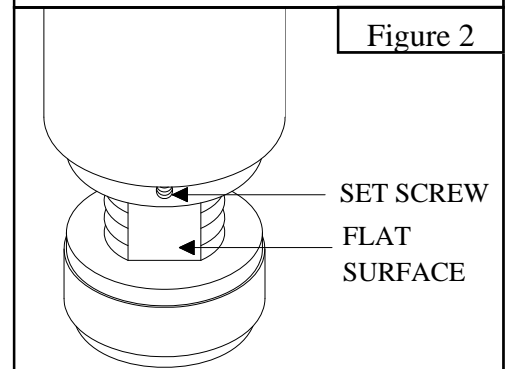
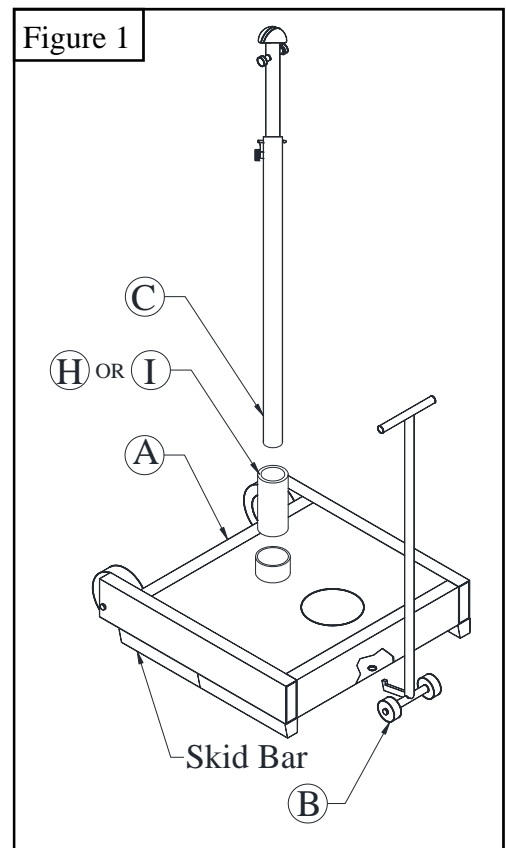
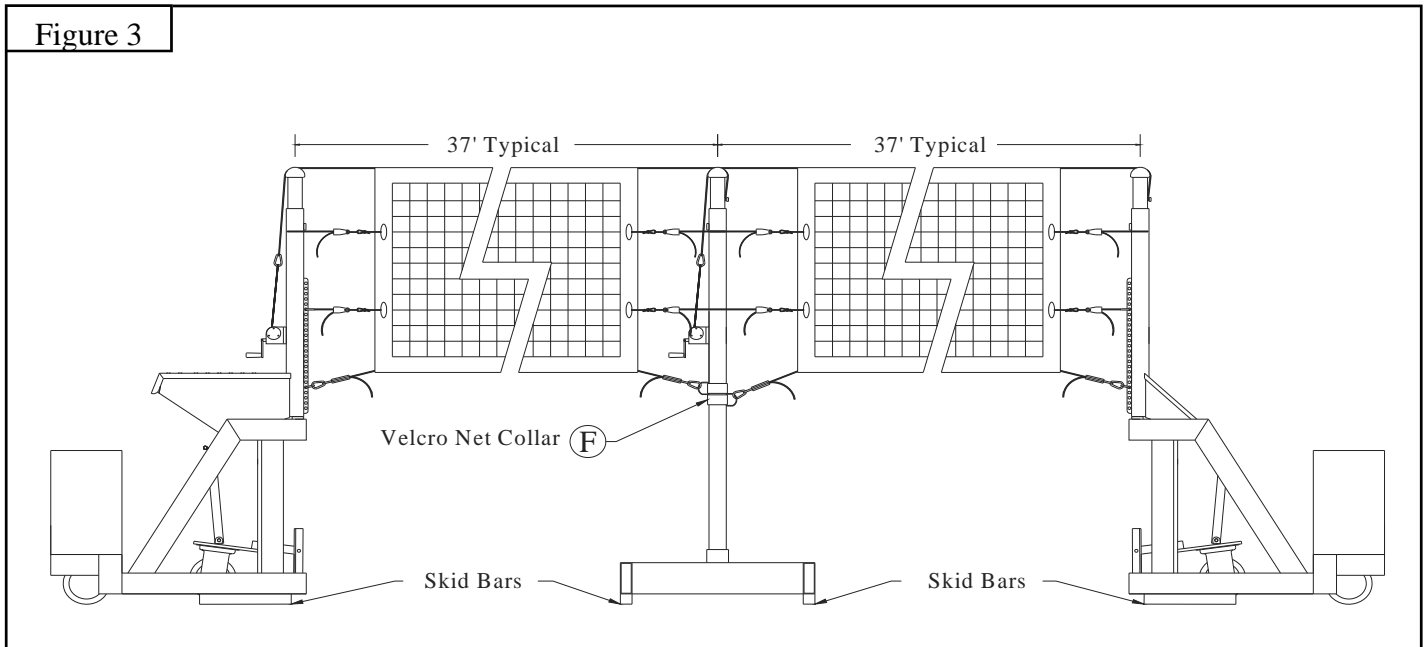


Figure 3



5. Both nets must be tightened simultaneously, once the nets are secured over the top of the posts begin tightening one net with 5 to 6 revolutions of the winch, move to the next winch and do the same. Go back and forth until each net is tensioned. Use caution as the *VB810 Base (A)* will not support uneven tensioning of the 2 nets.
6. Use the instructions provided with your endpost system for securing the remainder of the nets. Use the *Velcro Net Collars (F)* to secure the bottom of both nets to the *Center Post (C)*. See Figure 3.
7. Prior to play install the 2 piece *VB810 Base Pad (E)* using the self adhesive 2" wide velcro strap provided to hold the *VB810 Base Pad (E)* to the *VB810 Base (A)*. Install *VB510P Pole Pad (D)* to *VB810 Center Post (C)*.
8. Occasional cleaning of the bottom of the skid bars with acetone will increase friction and reduce the chance of the *VB810 Base (A)* slippage during aggressive play. Floor cleanliness is critical to the ability of the system to be installed and used without slippage.