

VB8100

Freestanding Portable Volleyball System Arena II- Portable Pro

PARTS LIST					
Item	Qty	Description	Item	Qty	Description
A	2*	VB81 Standard	I	20	1/4" x 1" Hex Bolt
B	4	Cable Cover	J	20	1/4" Flat Washer
C	1	Net with Storage Bag	K	4	Pad Brackets
D	2	Volleyball Antenna	L	1	Step
E	3	Carabiner	M	2	Hand Rail (packaged separately)
F	4	Rope Ratchet Net Tensioning Devices (Provided with Net)	N	1	Platform Riser
G	1	Base Padding Set (3 total boxes)	O	1	Platform Riser Hold Down Knob
H	4	1/4" x 3/4" Flat Head Screw	P	1	3/16" Hex Key

* NOTE: One standard has a built-in folding judges platform and net tensioning winch.

- ◆ Inspect all contents prior to installation. Report any missing parts to dealer immediately.
- ◆ **Read all instructions before proceeding!**

Warning:

You should not use the platform until the net is installed and properly tensioned. The release pin that locks the judges platform in the upright position is designed to facilitate set-up. It is not designed to support the platform while in use.

Caution:

The telescoping poles are under spring pressure, make sure the knurled knob is tight and/or the detent pin that positions the inner pole is in place at all times to eliminate the risk of possible injury.

1. Insert both *Hand Rails* (M) into the receiver tubes located in the front frame and front edge of the ballast box on the *VB81 Judges Standard* (A) so that the top of each *Hand Rail* (M) is approximately 78" from the ground, *Hand Rails* (M) may be set at other heights. Tighten pre-installed set screws securely at each location with the *3/16" Hex Key* (P). See Figure 1.
2. Use the *1/4" X 1" Hex Bolts* (I) and *1/4" Flat Washers* (J) to attach the *Left and Right Base Pads* (G) to both *VB81 Standards* (A). See Figure 1.
3. Use the *1/4" X 3/4" Flat Head Screws* (H) to attach *Pad Brackets* (K) to the *Front Pad* (G). Hang the *Pad Brackets* (K) attached to *Front Pad* (G) over the bottom front frame tube of the *VB81 Standards* (A), push down to secure. Use *1/4" X 1" Hex Bolts* (I) and *1/4" Flat Washers* (J) to attach the top of *Front Pad* (G) to the underside of the front frame tube of the *VB81 Standards* (A). See Figure 1.

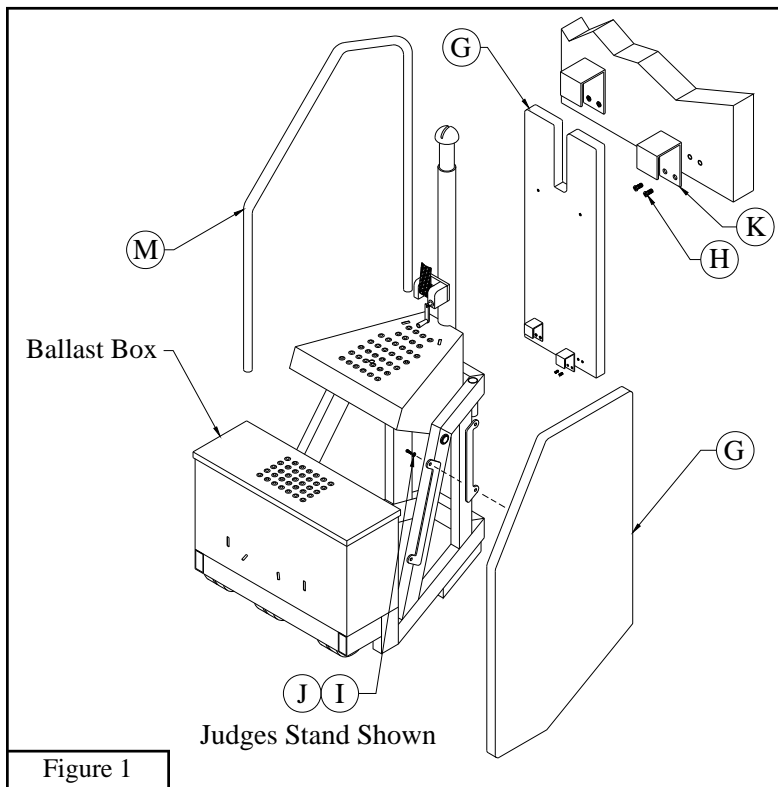


Figure 1

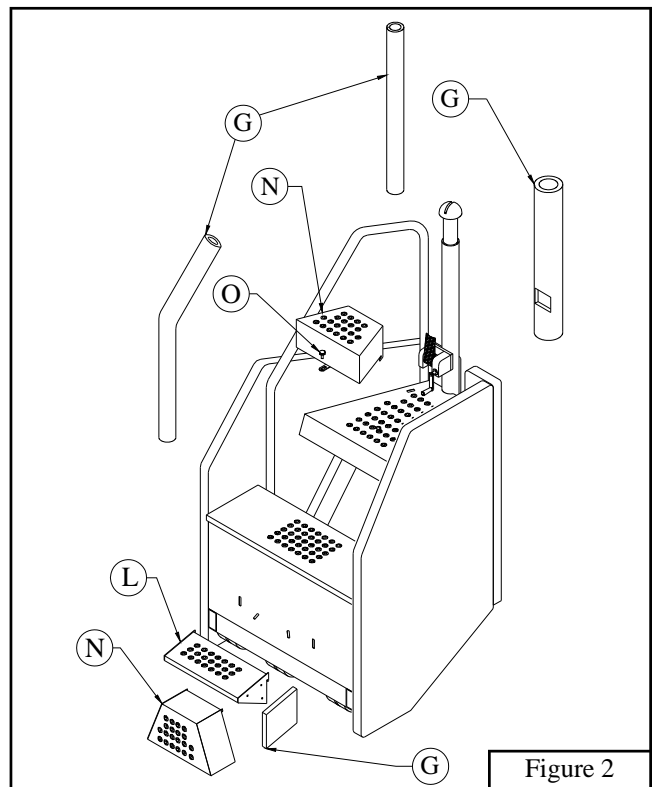


Figure 2

4. Use the vinyl covers to install *Hand Rail Padding* (G) and *Pole Padding* (G). Feed the winch strap through the open slot in the winch pad (not shown) and fit winch pad onto winch. Install pole padding to the *VB81 Down Official Standard* (A) (not shown). See Figure 2.
5. Use *1/4" X 1" Hex Bolts* (I) and *1/4" Flat Washers* (J) to attach *Step Pads* (G) to *Step* (L). *Step* (L) has two tabs that fit into the vertical slots on the back of the ballast box. **MAKE SURE THAT THE STEP IS FULLY INSERTED AND PRESSED DOWN TO LATCH SECURELY.** See Figure 2.
6. If you require additional height on the judges platform you can use *Platform Riser* (N). *Platform Riser* (N) has two tabs that fit into diagonal slots in the judges platform. **MAKE SURE THE PLATFORM RISER IS FULLY INSERTED AND PULLED BACK TO LATCH SECURELY.** Use *Platform Riser Hold Down Knob* (O) to secure the back of *Platform Riser* (N) to the judges platform. To store *Platform Riser* (N) remove from judges platform, screw *Platform Riser Hold Down Knob* (O) into the threaded hole on the back of *Platform Riser* (N). Hang *Platform Riser* (N) from the back of the ballast box below the *Step* (L) as shown or you can store *Platform Riser* (N) on the front inside wall of the ballast box. See Figure 2.
7. When using *Platform Riser* (N) it is recommended to raise *Hand Rails* (M) 84" from the ground. Loosen set screws, raise *Hand Rails* (M) and re-tighten set screws with the *3/16" Hex Key* (P).
8. Roll the *VB81 Standards* (A) into the playing location and rotate poles into the play position (37' apart minimum). Loosen the knurled knob, remove the detent pin and raise the inner pole of the *VB81 Standards* (A) to either the Men's, Women's or Junior height lines on the inner pole. This line should be just visible above the top of the outer pole. See Figures 3, 6 and 7.
9. Lay out the *Net* (C), find the end with the factory installed rope ratchet device on the bottom rope. Install the opposite end of the *Net* (C) to the down judges standard end by running the black top rope over the rope guide and attaching the loop to the top net cable attachment screw. Attach the other end of the *Net* (C) to the judges standard end by running the black top rope over the rope guide and connect it to the 2" wide winch strap using the provided *Carabiner* (E). See Figure 3.

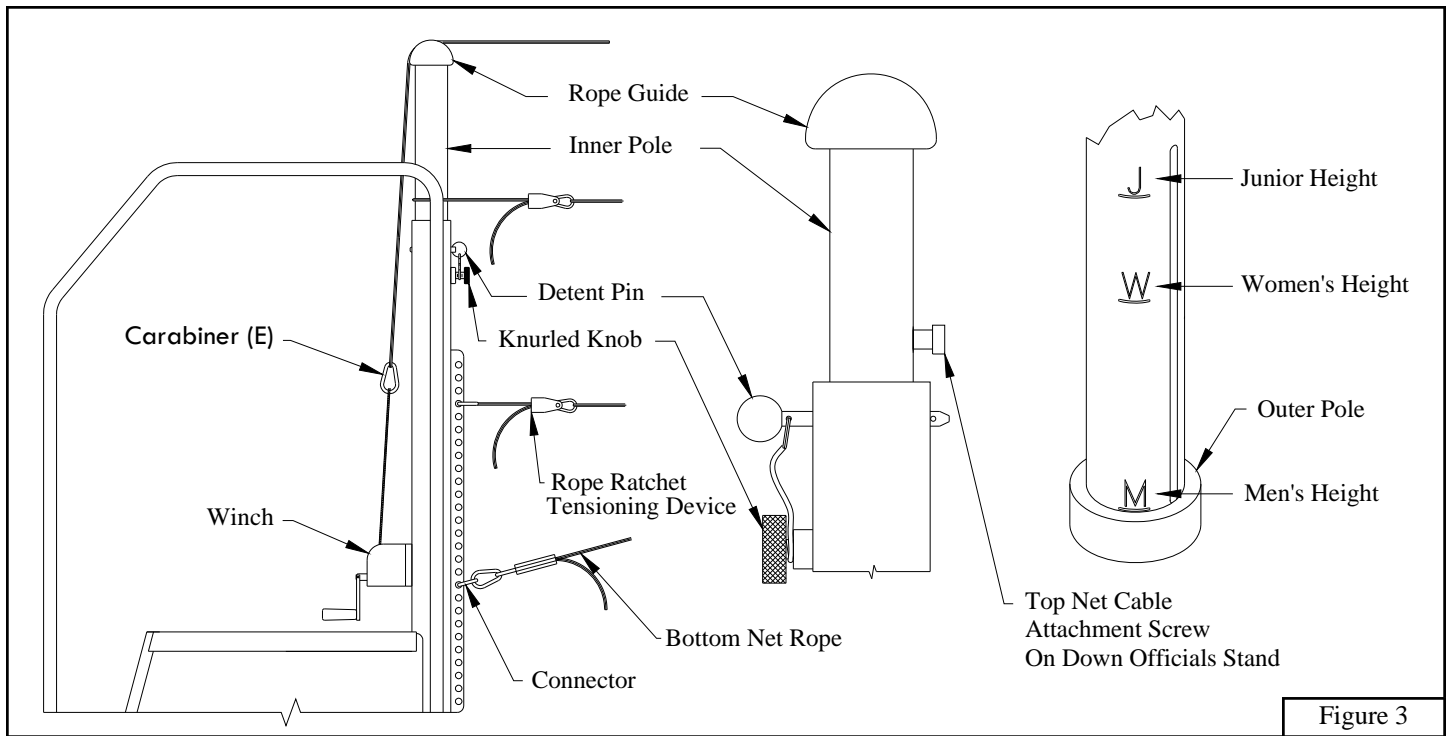
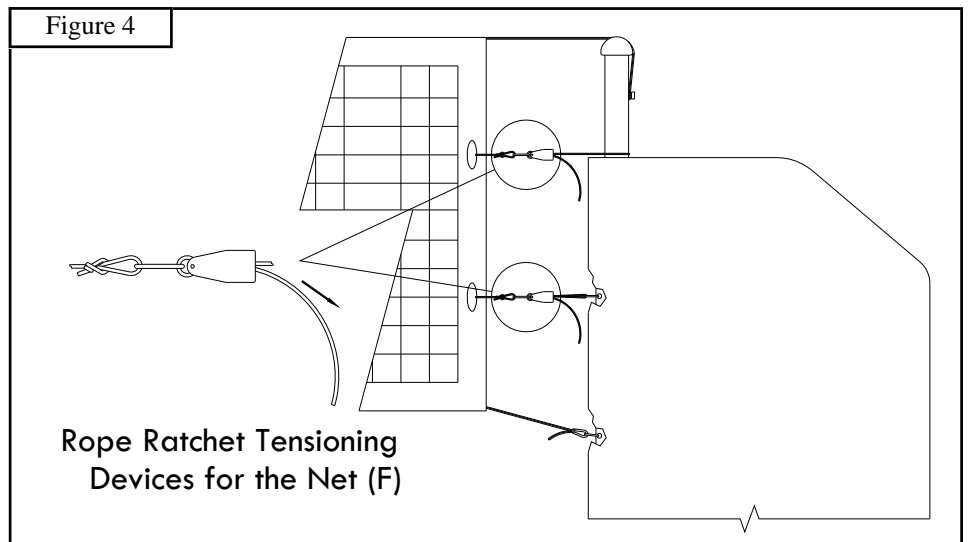


Figure 3

10. Move one of the factory installed connectors 2-3" below the bottom of *Net (C)* on both *VB81 Standards (A)*. Attach rope ratchet device on the bottom rope to the winch end connector, attach the other end of the bottom rope to the non-winch end connector using one of the *Carabiners (E)* provided in the hardware kit.
11. Turn the winch handle to tighten the top rope of the system to eliminate the slack in the rope. Center the *Net (C)* between *VB81 Standards (A)*. Finish tightening the top rope using the winch and pull the loose end of the bottom rope through the bottom rope ratchet to tighten the bottom rope.
12. Install the top *Rope Ratchet Tensioning Device (F)* by running the rope through the small hole in the side of the *Net (C)* and around the pole. Move one of the connectors factory installed on the *VB81 Standards (A)* level with the lower small hole in the side of the *Net (C)*. Install The lower *Rope Ratchet Tensioning Device (F)* by running the rope through the small hole in the side of the *Net (C)* and through the connector. Tighten all four *Rope Ratchet Tensioning Devices (F)* evenly to achieve desired *Net (C)* tension and maintain proper *Net (C)* placement between the *VB81 Standards (A)*. See Figures 3 and 4.



13. Once *Net (C)* is tightened with the detent pin engaged the distance from the floor to the top of *Net (C)* should measure 7' for Junior play, 7' 4 1/8" for Women's play and 7' 11 5/8" for Men's play measured at the center point of *Net (C)*. If the *Net (C)* is too high or low loosen the set screw and rotate rope guide, one full turn will raise or lower the net height 3/16". It is important to adjust in full turns to keep the set screw aligned with the machined flat on the rope guide to insure no damage to the screw threads. If needed you can move the set screw to the alternate location and gain 3/32" adjustments. In cases when you want heights other than the official heights, remove the detent pin and use the knurled knob to lock pole into position. See Figures 3 and 5.
14. You can also make some slight modifications to fine tune the *Net (C)* height by raising or lowering the bottom rope connectors, by tightening/loosening the winch or by adjusting the tension on the side rope ratchets.
15. Occasional cleaning of the skid bars with acetone will increase friction and reduce the chance of *VB81 Standard (A)* slippage during aggressive play. Floor cleanliness is critical to the ability of the system to be installed and used without slippage. See Figures 6 and 7.
16. For transportation and storage remove *Net (C)*. Pull release cable and rotate the pole to the transport position. When doing this the front wheels will engage and raise the front of the unit off the skid bars. See Figures 5 and 6.

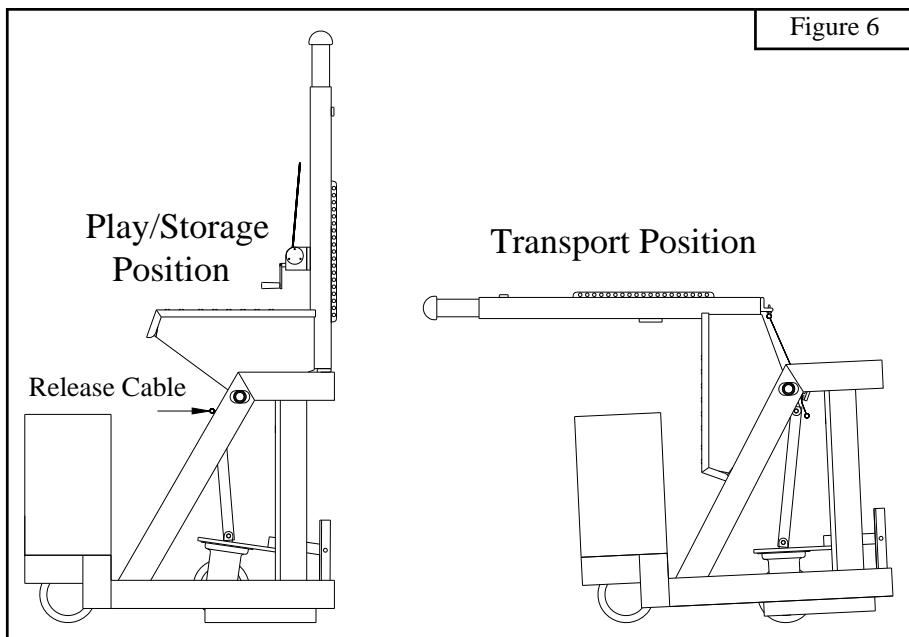
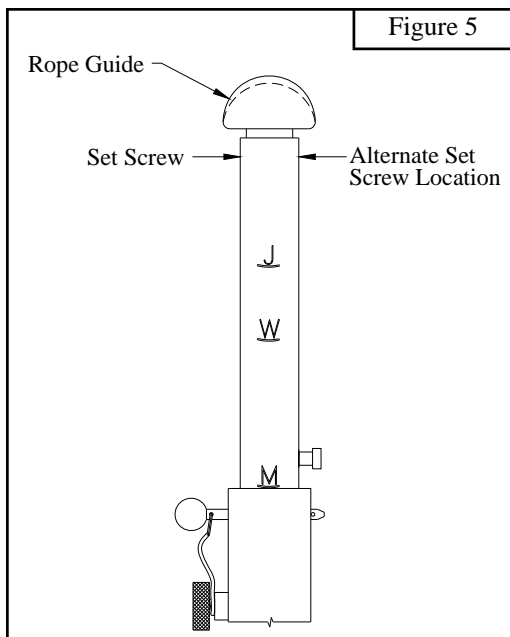
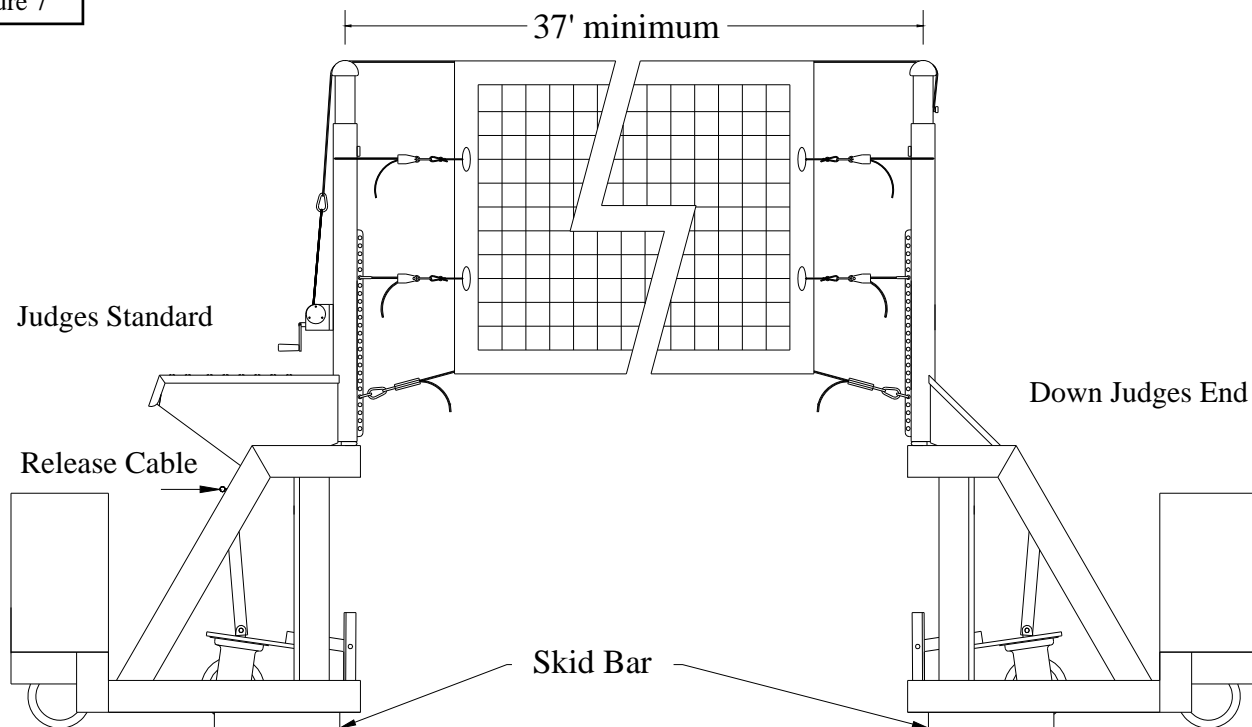


Figure 7



Caution:

The VB8000 Arena II portable volleyball system weighs 1,200 pounds. To eliminate risk of tip-over and/or injury please follow the instructions below to safely remove system from the shipping pallet

1. Fasten the steel ramp to the front of the shipping pallet with the 4 wood screws provided. See Illustration Below.
2. Remove the steel banding that secured the unit to the shipping pallet during transit.
3. Pull the release pin and rotate the pole to the transport position. When doing this the front wheels will engage and raise the front of the unit off the skid bars. See Illustration Below.
4. From the back side of the unit carefully push the unit down the ramp. You can use the pole as your steering wheel however please avoid putting too much pressure on the plastic rope guide at the end of the pole.

