

VB60



Match Point Volleyball Standards Assembly & Installation

Customer Service
(800) 247-7668

PARTS LIST					
Item	Qty	Description	Item	Qty	Description
A	2	VB60S Volleyball Standards	E	4	Rope Ratchet Tensioners (Packaged w/ Net)
B	1	Net Tensioning Slider Bar Assembly	F	2	Floor Sockets (if applicable)
C	1	Non-Tensioning Slider Bar Assembly	G	1	VB1250K Net
D	2	Height Labels			

- ◆ Inspect all contents prior to installation. Report any missing parts to dealer immediately.
- ◆ Read all instructions before proceeding.
- ◆ These systems will adjust from 7' 11-5/8" men's net height to 42" tennis height.

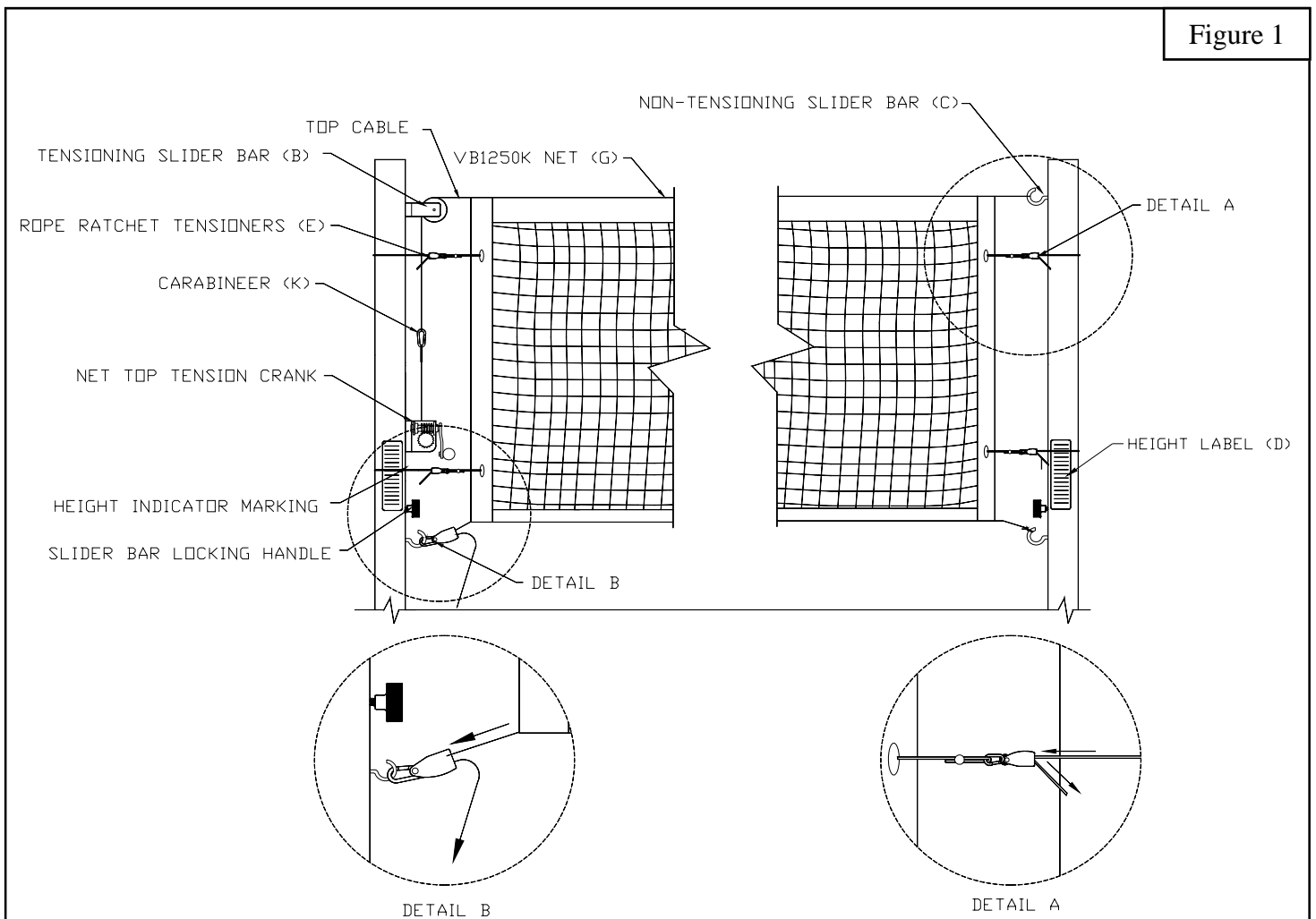
1. If applicable, follow the instructions provided with the *Floor Sockets* (F) to prepare the court for system installation, use the diagram on page 3 to locate the *Floor Sockets* (F) on your court.
2. Place the *VB60S Volleyball Standards* (A) in the *Floor Sockets* (F) with the *Slider Bars* (B) and (C) toward the inside of the court.
3. Uncoil approximately 24" of the web strap from the winch to allow for net tensioning.
4. Attach the kevlar top rope to the *Slider Bars* (B) and (C). On the *Net Tensioning Slider Bar* (B), the rope will loop over the pulley and attach to the spring clip on the end of the winch strap. On the *Non-Tensioning Slider Bar* (C) attach the loop to the hook on the top of the *Non-Tensioning Slider Bar* (C). See Figure 1.
5. Tension the top rope by tightening the net top tension crank. See Figure 1.
6. Attach the loop on one end of the bottom rope to the hook on the bottom of the slider bar. Attach the other end of the bottom rope with the spring hook on the rope ratchet. Tension the bottom rope by pulling the rope through the bottom *Rope Ratchet Tensioner* (E). See Figure 1.
7. Loop two small *Rope Ratchet Tensioners* (E) around each standard and through the eyelets on the net side tapes. Tension the net sides by pulling the end of the ropes. Release the *Rope Ratchet Tensioners* (E) by pressing on the release button. *Rope Ratchet Tensioners* (E) should be rotated close to the pole and behind the padding to prevent contact with players. See Figure 1.
8. Once the *VB1250K Net* (G) is attached it must be adjusted to its desired height. Loosen the winch to release the net tension. Do this before moving the *Slider Bars* (B) and (C). See Figure 1.

- After the net tension has been released, loosen the *Slider Bar (B)* and *(C)* locking knobs to allow the *Slider Bars (B)* and *(C)* to freely move up and down. Adjust *VB1250K Net (G)* to desired height. Once the top of the *VB1250K Net (G)* is at the desired height, tighten the *Slider Bar (B)* and *(C)* locking knobs and net top tension crank. See Figure 1.

Caution!

The VB1250K net is designed to fit Bison Match Point installation with pole locations between 34' and 40' by customizing the length of the top rope. Tie a loop in one end of the top rope at a location that allows proper tensioning. Do Not cut the excess rope until you are confident you have the correct length. Length will depend on the distance between the standards. Nets cannot be returned after unwrapping. Call Bison Customer Service for assistance at #800-247-7668.

- Once the *VB1250K Net (G)* is locked and tensioned at the desired height, install the *Height Labels (D)*. Line up the appropriate line on the *Height Label (D)* with the machined height indicator mark on the *Slider Bars (B)* and *(C)*. Use a credit card or something similar to smooth all air bubbles from *Height Labels (D)*.
- Install padding and antennas.



VOLLEYBALL COURT LAYOUT

