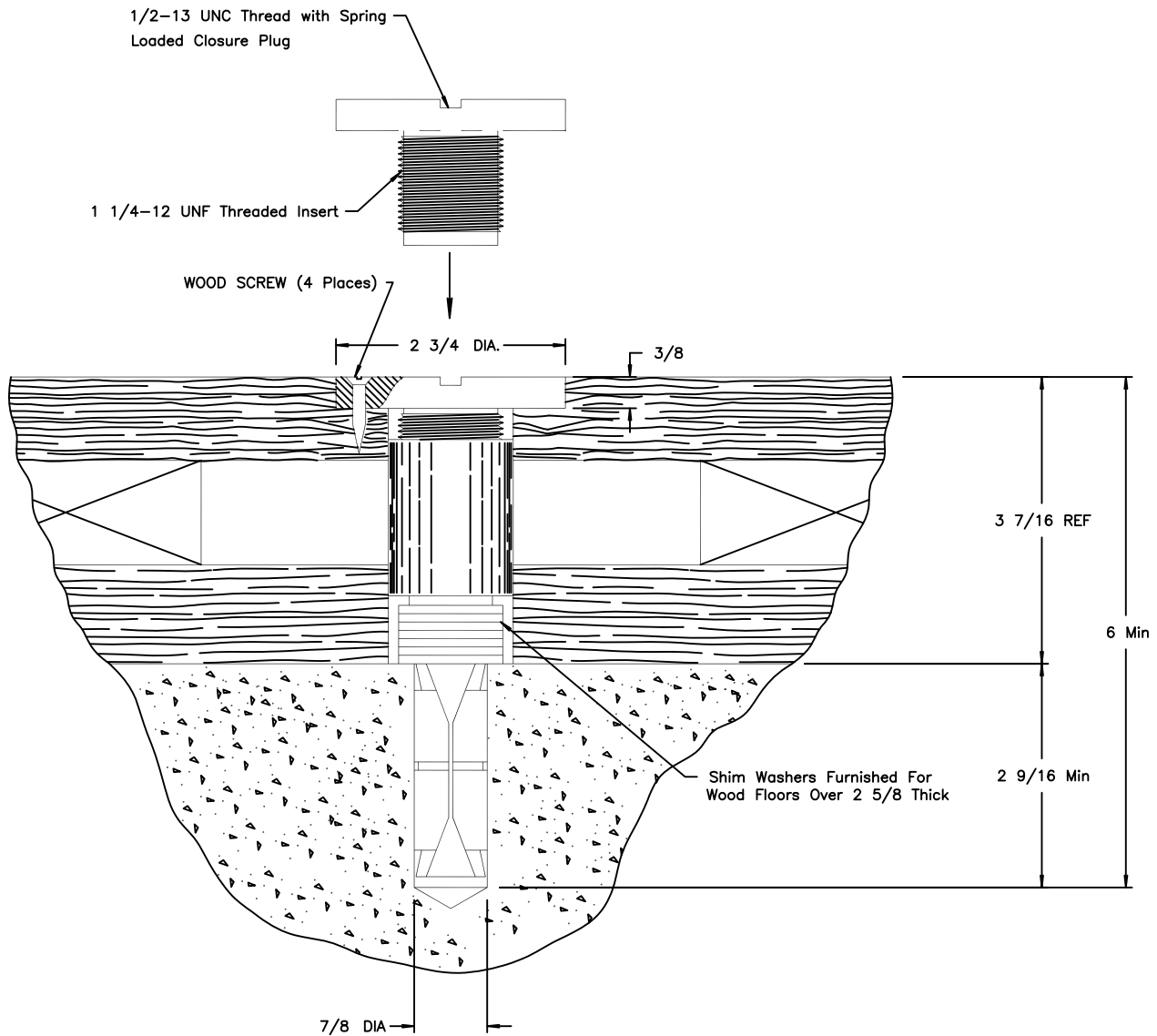


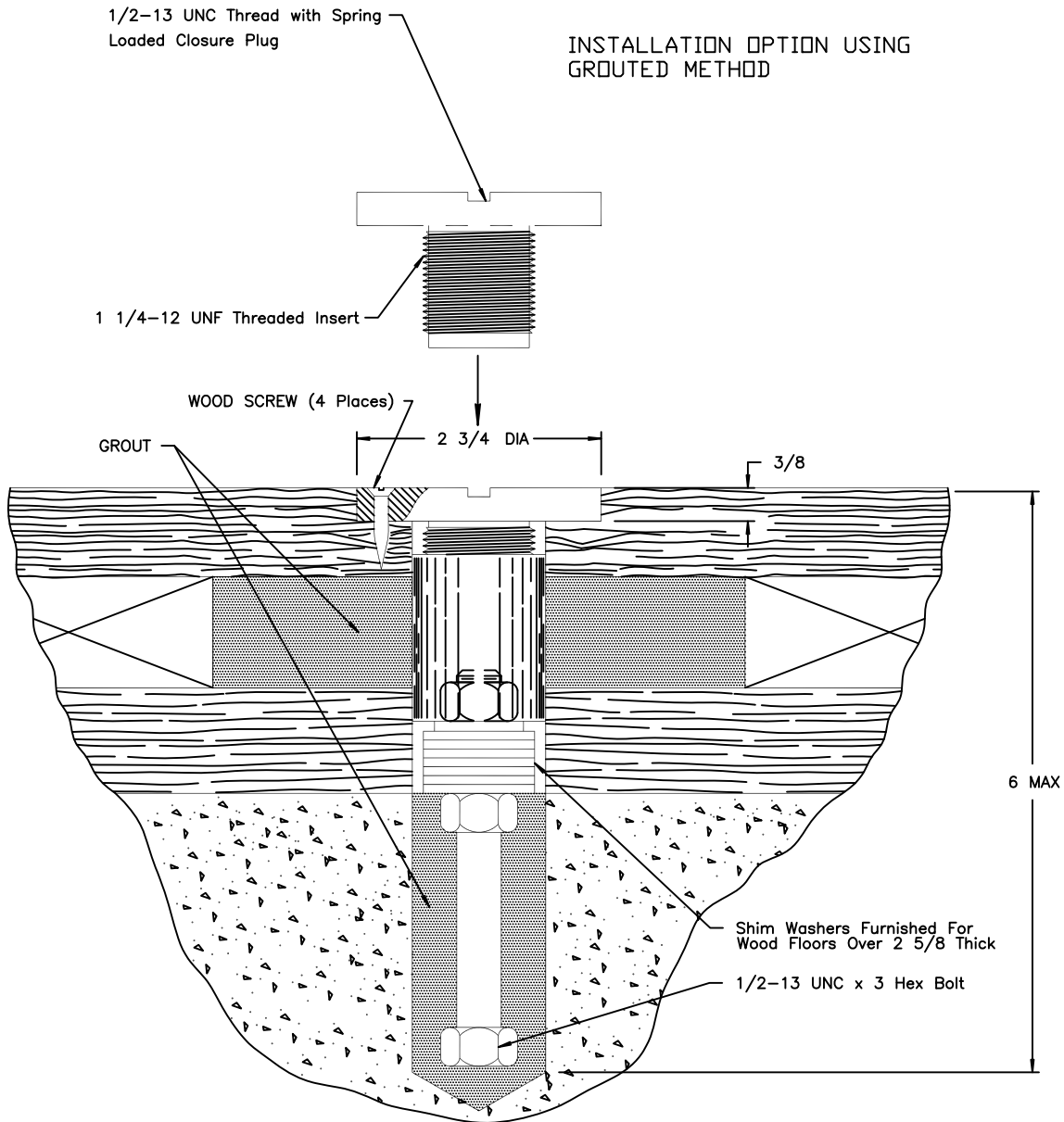
BISON INC.
 INSTALLATION INSTRUCTIONS FOR
 MODEL VB25FL DRILL IN FLOOR ANCHOR
 FOR USE IN FLOATING WOODEN FLOORS

INSTALLATION OPTION USING
 EXPANDING CONCRETE ANCHOR



IMPORTANT NOTE:

1. Pilot drill a 7/8" diameter hole through floor structure. Then use a 7/8" carbide tipped drill bit to extend the hole at least 2 9/16" into the concrete.
2. Open up hole in floor structure to 1 1/2" diameter, then route a hole 2 3/4" diameter by 3/8" deep at the top for the threaded insert. Use caution so that the top of the insert is not below the floor level. If possible, route the hole at least 1/16" in diameter oversize, to allow for swelling and shrinking of the wood floor. Filling any gap between the insert and the floor with silicone is recommended.
3. Insert the assembly as shown, fastening down the canister with the anchor. Be sure the canister is deep enough to allow the threaded insert to seat properly into the routed area of the floor.
4. Install threaded insert so the top is flush with the floor. Transfer the screw hole locations and drill 1/8" diameter pilot holes. Then install and tighten the wood screws (4) provided.



IMPORTANT NOTE:

1. Bore 1 1/2" diameter hole through floor and concrete using a carbide tipped drill bit to a depth of 6" maximum.
2. Route a hole 2 3/4" diameter by 3/8" deep at the top for the threaded insert. Use caution so that the top of the insert is not below the floor level. If possible, route the hole at least 1/16" in diameter oversize, to allow for swelling and shrinking of the wood floor. Filling any gap between the insert and the floor with silicone is recommended.
3. Remove anchor and turn bolt around as shown. Use the two nuts provided and lock bolt into canister.
4. Insert into hole and be sure grout gets into grooves outside of canister.
5. Transfer screw hole locations (4) onto floor and drill 1/8" diameter holes, then tighten wood screws provided.