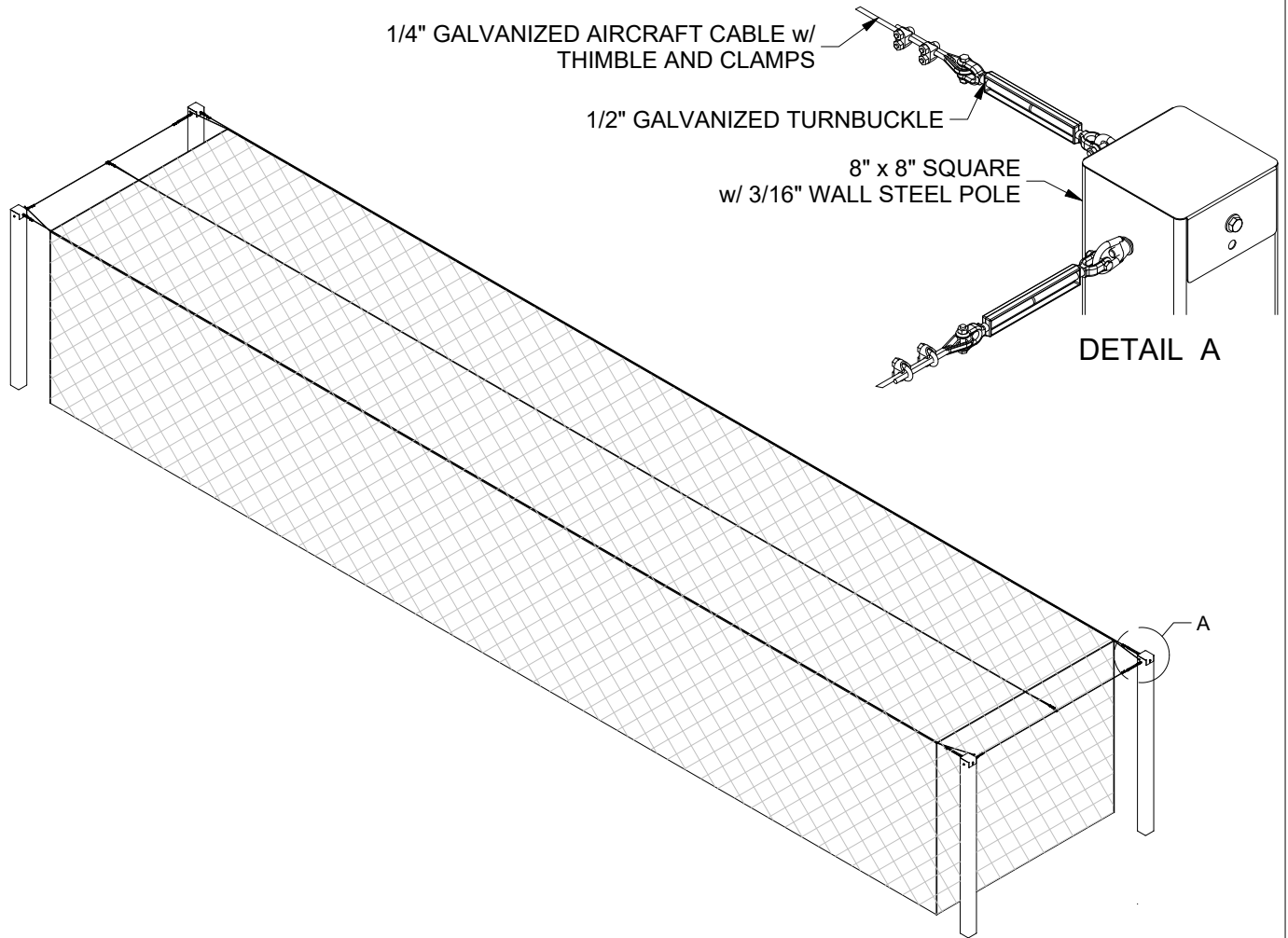
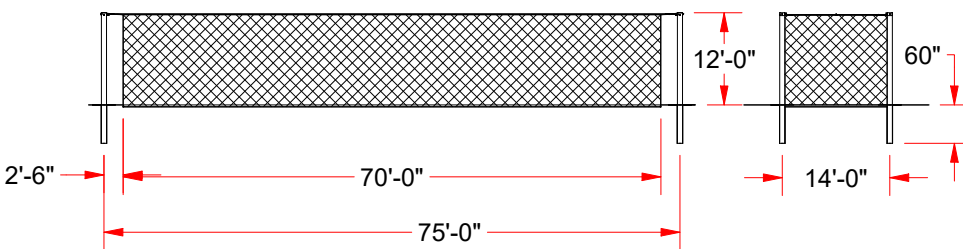
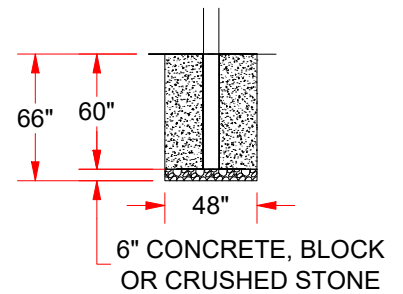


# MPCTF-70S MEGA POST & CABLE OUTDOOR BATTING TUNNEL



**FEATURES:**

- > CLEAN DESIGN WITH LESS STRUCTURE FOR BALL TO RICOCHET OFF.
- > 4 HEAVY WALL 8" x 8" SQUARE w/ 3/16" WALL STEEL POLES.
- > FINISH: POWDER COAT BLACK OVER ZINC PRIMER.
- > NET ATTACHES TO TENSIONED 1/4" GALVANIZED AIRCRAFT CABLE.
- > NET ATTACHED w/ SNAP HOOKS FOR EASY ON / OFF.
- > NET CAN BE EASILY SLID TO ONE END FOR STORAGE.
- > NET TO BE #36 BLACK KNOTTED NYLON, 1-3/4" SQUARE MESH, 14' W x 70' L x 12' H



NOTE: SUGGESTED FOOTING, CHECK LOCAL BUILDING CODES BEFORE STARTING THE FOOTING. AS BUILDING CODES MAY VARY. LOCAL BUILDING CODES SHOULD BE ADHERED TO IF REQUIREMENTS ARE GREATER THAN THOSE OUTLINED HERE.



**MPCTF-70S**

MEGA POST & CABLE OUTDOOR BATTING TUNNEL 70 FT LONG CAGE

© COPYRIGHT 2022 JAYPRO SPORTS, LLC. ALL RIGHTS RESERVED THIS PRINT IS THE PROPERTY OF JAYPRO SPORTS, LLC. AND MAY NOT BE REPRODUCED WITHOUT WRITTEN PERMISSION

[www.jayprosports.com](http://www.jayprosports.com)  
 (800) 243-0533  
 976 Hartford Turnpike  
 Waterford, CT 06385 USA

Rev: A

SHEET 1 OF 1