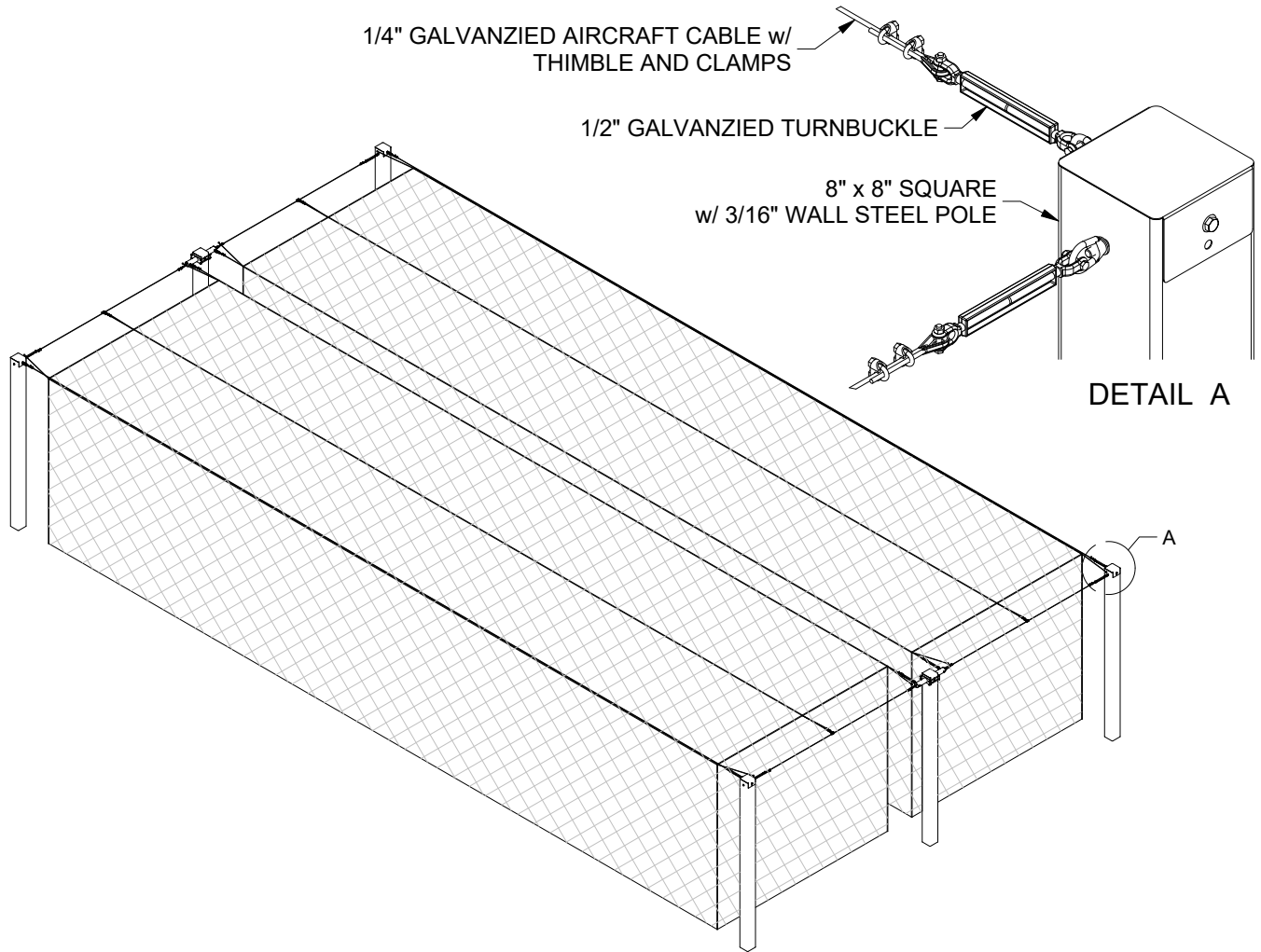
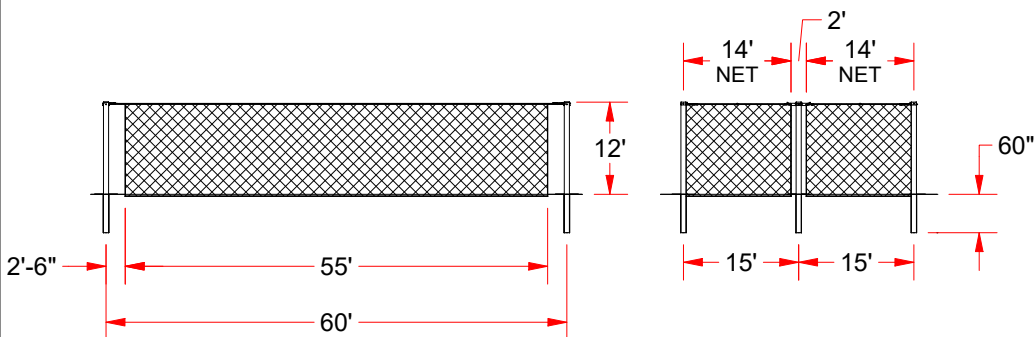
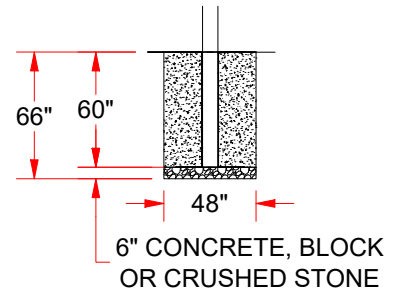


MPCTF-55D MEGA POST & CABLE OUTDOOR BATTING TUNNEL



FEATURES:

- > CLEAN DESIGN WITH LESS STRUCTURE FOR BALL TO RICOCHET OFF.
- > 6 HEAVY WALL 8" x 8" SQUARE w/ 3/16" WALL STEEL POLES.
- > FINISH: POWDER COAT BLACK OVER ZINC PRIMER.
- > NET ATTACHES TO TENSIONED 1/4" GALVANIZED AIRCRAFT CABLE.
- > NET ATTACHED w/ SNAP HOOKS FOR EASY ON / OFF.
- > NET CAN BE EASILY SLID TO ONE END FOR STORAGE.
- > NET TO BE #36 KNOTTED NYLON, 1-3/4" SQUARE MESH, 14' W x 55' L x 12' H



NOTE: SUGGESTED FOOTING, CHECK LOCAL BUILDING CODES BEFORE STARTING THE FOOTING, AS BUILDING CODES MAY VARY. LOCAL BUILDING CODES SHOULD BE ADHERED TO IF REQUIREMENTS ARE GREATER THAN THOSE OUTLINED HERE.



MPCTF-55D

MEGA POST & CABLE OUTDOOR BATTING TUNNEL 55 FT LONG CAGE

© COPYRIGHT 2020 JAYPRO SPORTS, LLC. ALL RIGHTS RESERVED THIS PRINT IS THE PROPERTY OF JAYPRO SPORTS, LLC. AND MAY NOT BE REPRODUCED WITHOUT WRITTEN PERMISSION

www.jaypro.com

(800) 243-0533

976 Hartford Turnpike

Waterford, CT 06385 USA

Rev: A

SHEET 1 OF 1