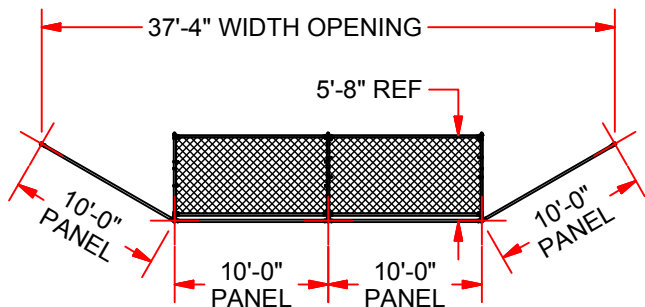
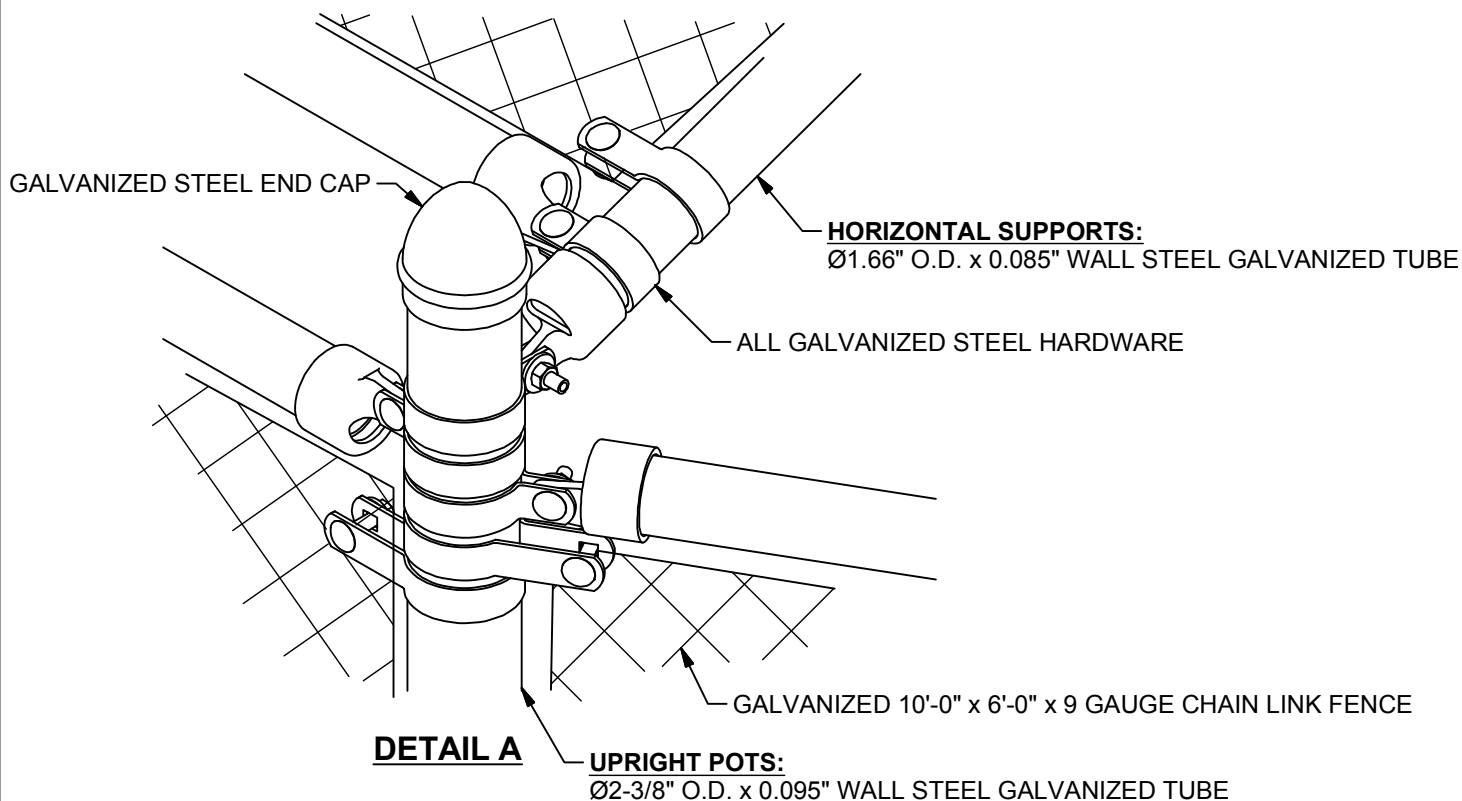


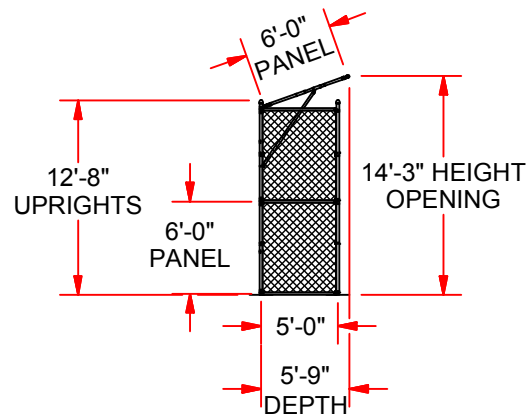
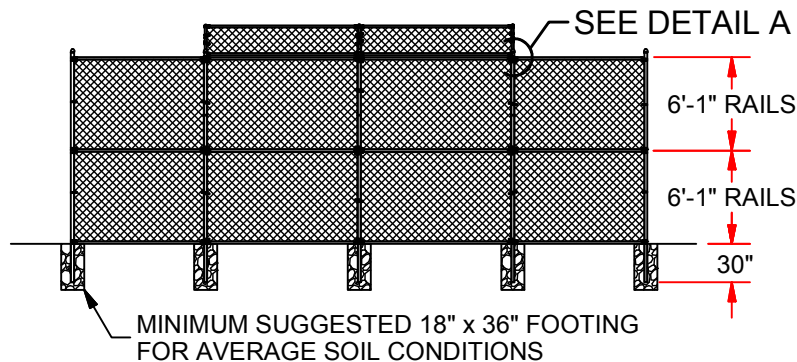
BSP-40-66

4 PANELS, 2 CENTERS



FEATURES:

- * UPRIGHT SECTIONS 10'-0" WIDE x 12' HIGH
- * ALL PANELS GALVANIZED 10'-0" x 6'-0" x 9 GAUGE CHAIN LINK FENCE
- * ALL GALVANIZED STEEL HARDWARE
- * Ø2-3/8" O.D. x 0.095" WALL GALVANIZED STEEL TUBE
- * Ø1-5/8" O.D. x 0.085" WALL GALVANIZED STEEL TUBE
- * SHIPPING WEIGHT 956 LB / EACH



BSP-40-66
4 PANELS, 2 CENTERS

THIS PRINT IS THE PROPERTY OF JAYPRO SPORTS, LLC.
AND MAY NOT BE REPRODUCED WITHOUT WRITTEN PERMISSION



PHONE:
800.243.0533 (TOLL FREE)
860.447.3001 (LOCAL)

FAX:
860.444.1779 (SALES)
860.440.0628 (ENG.)

DRAWING NAME / PART NUMBER:

BSP-40-66

DRAWN BY: Moune T.	ISSUE DATE: 1/30/2013
CHKD BY: WVB	CHK DATE: 1/31/2013
SHEET: 1 OF 1	