

BATCO

Hitting Cage Assembly Instructions

<u>Part Description</u>	<u>72' Batting Cage</u>	<u>54' Batting Cage</u>
A. Net	1	1
B. Framing – Arc section with insert connection	5	4
C. Framing – Arc section without insert	5	4
D. Framing – Legs with insert connection	10	8
E. Outdoor Leg Feet	10	8
F. Outdoor Leg Stakes	20	16
G. Lynch Pins	10	8
H. Indoor Leg Boots	10	8
I. Adjustable End Straps	6	6
J. Eye Bolts with nuts & washers	19	16
K. 18' Top & Side Connecting Support Ropes	12	9
L. Net Support Ropes [72' or 54']	2	2

Tools Needed for Assembly

1. Tape Measure
2. Twelve Stakes (Outdoors) or Marking Pen (Indoors)
3. 9/16" Wrench
4. Hammer or Maul (Outdoors)
5. Step Ladder
6. Razor Knife

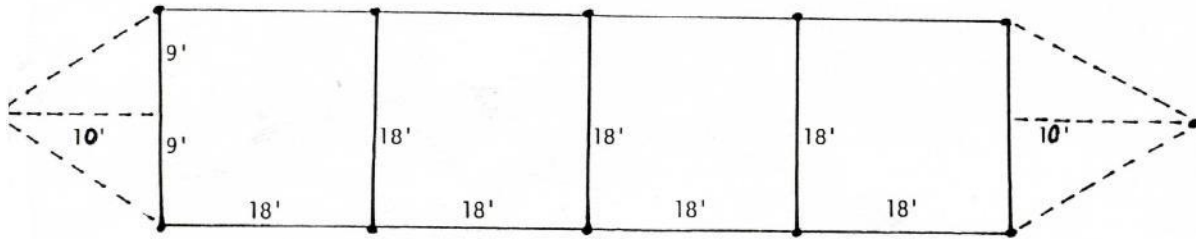
Your cage comes complete with everything required for an indoor or outdoor setup except end anchors.

- For outdoor setup, first select a level piece of ground. Minimum space requirements are 22' x 92' for the 72' cage <and/or> 22' x 74' for the 54' cage.
- For an indoor set up and connecting to a wall or volleyball standard that can be securely fastened to the floor, the end distance (distance from the last arc frame to the end support) can be shortened from 10'. It is recommended that the end support be at least 7' off the ground or floor.

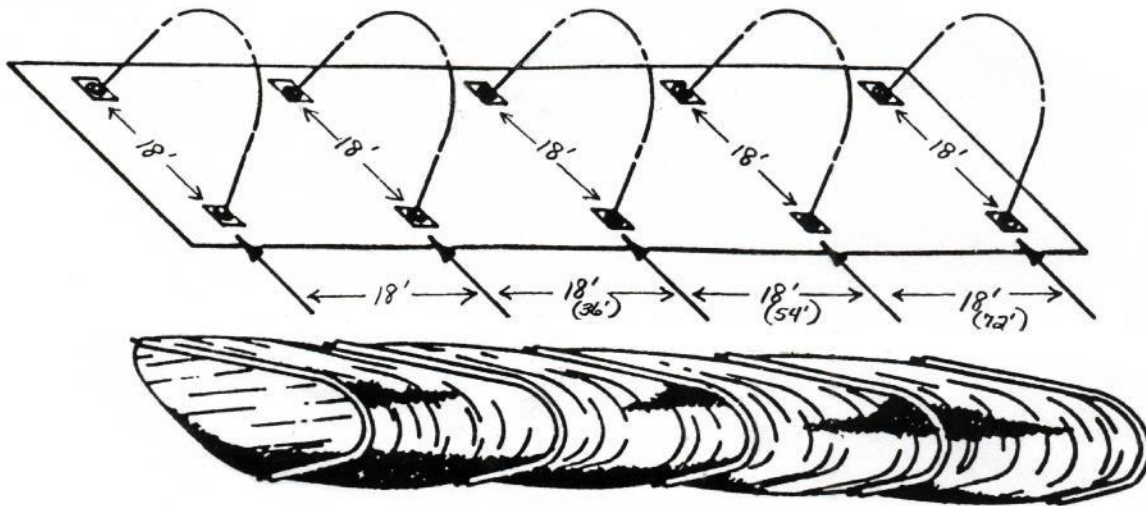
***** Read All Directions Carefully & View Video Tape Instructions Before Beginning *****

Assembly Instructions

1. Prior to assembling the cage, it is necessary to premeasure and mark the location for the two end supports as well as the location for each of the legs. The total distance from end anchor to end anchor measures 92' for a 72' cage <and/or> 74' for a 54' cage. Refer to the following diagrams for the exact measurement and layout.

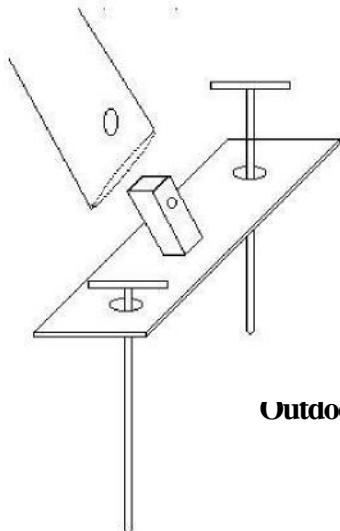


All measurements shown here are from center to center.

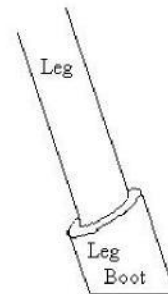


Each arch assembly will have a natural spread greater than 18'. Legs will have to be brought in to the 18' width.

2. At each corner of the 18' marks, a leg will be placed. Outdoors use a Leg Foot (E). Indoors use a marking pen for the leg location. Outdoors the end supports can be a large ground anchor or permanent end post. Indoors the end supports can be a secure volleyball standard that fixes to the floor, or a heavy-duty eyebolt secured into the wall.



Outdoors



Indoors

3. Lay out the batting cage net (A) inside the stakes or markings with the vinyl sleeves running side to side rather than end to end. Be sure the Velcro openings on the sleeves are facing upwards. **Please note that one end of the batting cage has a zippered opening. Be sure to lay out your net with the desired entrance location in mind.**
4. It is now time to connect the tubing and insert into the vinyl sleeves.

*** Tips for easy assembly:**

- (1) The arc sections of tubing are of two types; one plain ended and the other with an insert connection.
- (2) The tubing slides together with relative ease, however to improve the connection, apply a light layer of lubrication.
- (3) When sliding any parts together, apply pressure in a straight line and twist.
- (4) Tighten all bolts snugly. Tightening bolts too tight may strip the threads or bend the tubing.
- (5) **If the holes do not line up properly, the insert tube may have been pushed in during shipment. Loosen the nut on the insert tube, make your connection, and then retighten.**

Identify and separate the arc sections that have an insert connection. Connect the arc sections (B) & (C) by inserting either end of the plain arc (C) into the arc section with the insert tube (B). Bolt together with an eyebolt using a washer on one side of the tube. Be sure the eye bolt is at a right angle with the tubing and is facing what will be the outside of the cage.

- **Note: The end arc sections must have eyebolts inserted into the holes in the center of the arcs. These arcs have been “tagged” to easily be identified for you. These eyebolts will connect the long net support ropes (L) at each end of the cage in a later step.**

Insert each arc through the side Velcro openings in the vinyl sleeves and slowly feed the tubing through the sleeve until the connecting eye bolt at the top of the arc is directly under the center Velcro flap. The two arcs that contain the extra eyebolt are to be inserted into the end sleeves. All others may be placed in any sleeve.

Insert the leg's (D) insert end into the pre-slit opening on the bottom of the vinyl sleeve (approximately 30” from each end of the vinyl sleeve). Feed the legs into the sleeve until they connect into the bottom of the arc sections. Align the holes and bolt with eyebolts and washers following the same guidelines as before. Again, be sure the eyes are facing towards the outside of the cage. If indoors, now place the leg boots (H) on the end of each leg.

5. Make sure all the arc frames are laying out in the same direction. Begin standing up the cage at the end toward which the legs are extended. Attach an adjustable end strap (I) to the eye bolt at the top of the first arc with the adjustable end towards the end anchor.

Holding each leg of the first arc/leg connection, raise the first arc upwards until the legs can be inserted into the leg feet (outside) or leg boots (indoors).

Attach the end strap to the end anchor and adjust to leave the first arc leaning away from the end anchor.

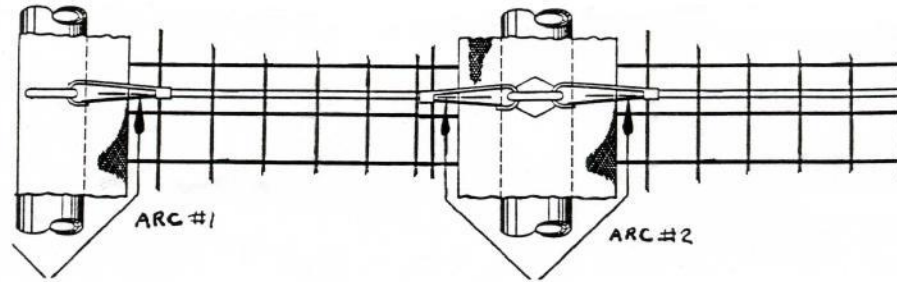
Proceed to each succeeding arc and raise in the same manner. Keep the top of the nets tight as you are standing each arc. Once standing, leave them leaning enough so they don't fall backwards. Before raising the last arc, attach an adjustable end strap to the top eyebolt and once the arc is raised, attach the end strap to the end support.

Attach the remaining adjustable end straps to the eyebolts at the side Velcro opening on the end arcs. Connect the other end to the end strap supports. The adjustable end should be near the end support. Adjust the end straps until all the arcs of the cage are standing vertically.

6. After the cage is standing, a stepladder must be used to connect the support ropes (K) & (L).

Attach the 18' ropes (K) to the center (top) eyebolts on each arc. It is necessary to snap the rope end onto the eyebolt above the sleeve and then weave the rope under the net until the next arc. Again, bring the rope end up

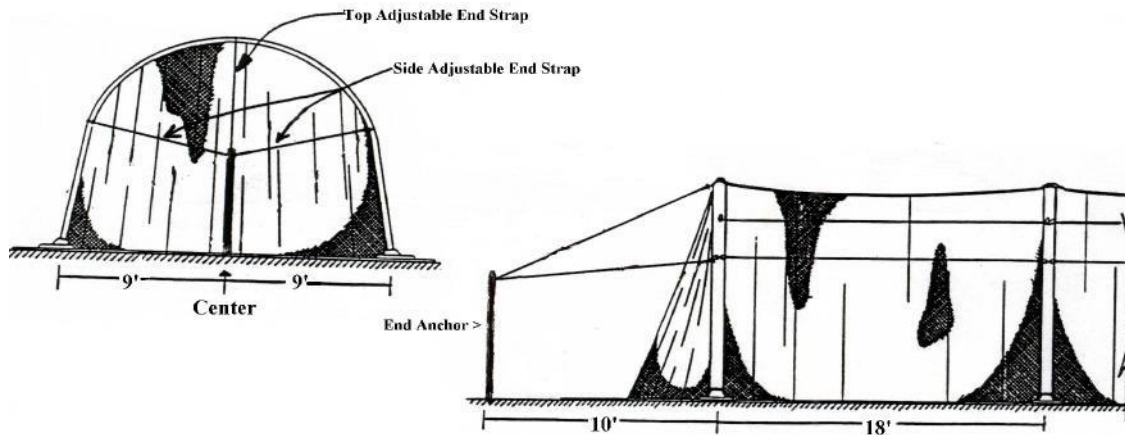
through the net and make the connection with the snap to the eyebolt above the sleeve. Continue this until all the top ropes are connected.



Now snap the remaining 18' ropes to the eyebolts at the side Velcro flap openings. Snap the ropes on the outside of the cage and run the cable under the net (or inside the cage) to the next arc. Weave it through the net and again snap the rope to the eyebolt outside the arc as you did in the above paragraph.

Finally, the two net support ropes (K) must be attached. These two ropes will connect to the end arcs and run the entire length of the cage, running under the net and over each arc sleeve. **With a razor knife, make a small cut in the vinyl to allow the eye bolt on the end arcs to protrude through the sleeve.** Snap one end of the rope on the eyebolt and feed the rope under the net between the arcs and over the sleeves until the end is snapped on the eyebolt of the last arc.

Now adjust the end straps (I) to make the cage arcs stand perfectly vertical.



7. There is excess sleeve and net material lying on the ground along the sides and ends of the cage. This excess netting has been left on for you to trim at your discretion. Should you accordion your cage often, you may wish to trim this excess for ease of handling. It may use for patching material at a later date.

8. You are now ready to use your cage!

- *To take down your cage, simply follow the assembly instructions in reverse order. However, you can now permanently leave the ropes in the net. When you unsnap them from the eyebolts, just clip them to the net at the exact location.*
- *There are two ways to accordion your cage against a fence or wall. (1) Have a team member each grab an individual leg, unhook the adjustable end straps from one end, and walk in unison, folding the cage up against your wall or fence as you walk. (2) Lay the framework flat on the ground. Pull each arc frame to the end where you're going to store the cage. Then stand the arcs up one by one and secure to wall or fence.*

- **Any installation not done in accordance with the manufacturer's stipulations will result in the warranty becoming null and void.**

Safety Notes

1. Lay down the cage in threatening weather, especially if wind speeds could exceed 35 mph.
2. Position batters opposite to the end with the zipper. When in use, keep the zipper closed.
3. It is highly recommended that you keep spectators away from the sides and ends of the cage when it is being used. Hard hit balls can push the net out several inches to a foot on loose netting. Never allow a spectator to either put their hands, face, or other body parts near the cage when someone is hitting.
4. No one should enter the BATCO batting cage without the wearing of an approved batting helmet
5. Always use prudence and caution when using the batting cage. Safety must always be a priority.

Net Care

**Your net will give you good service if it correctly installed and maintained.
The following instructions are recommendations that will maintain your net for a long life.**

- One major cause of net failure is the constant "pounding" on the net behind the batter. To prevent this excessive wear, it is recommended that a vinyl, canvas, or other durable material be hung behind the batter.
 - If your cage is installed outdoors in areas where rabbits, squirrels, or other animals might have their natural paths interrupted, lift the net up off the ground when not in use. Small animals have been known to chew on netting.
- When erecting or moving your cage, use caution to prevent the net from "snagging" on sticks, bolts, cage feet, etc. that could create holes in the net.
- When storing your net, make sure it is completely dry first and then store it up off the ground or floor. Mice and other rodents like to make their home in nets not properly stored. Considerable damage due to chewing or scratching could occur.

**For More Information, Contact: BATCO
Coach Arnald Swift ---BATCO
5835 Verde Rd
Pueblo CO 81004**

**Ph 877-462-2826—
fax: 877-336-6691
Ph: 719-676-7863-
cell 678-205-9224**