



Owner's Manual
Notice d'utilisation
Manual del Propietario
Do not use this equipment before
reading this manual!

SPEEFLO PowrLiner 850



Model Number
0290005

Register your product online at:
www.titantool.com

Serial Number _ _ _ _ _

NOTE: This manual contains important warnings and instructions. Please read and retain for reference.

Important Safety Information



Read all safety information before operating the equipment. Save these instructions.



Indicates a hazardous situation which, if not avoided, could result in death or serious injury.

To reduce the risks of fire or explosion, electrical shock and the injury to persons, read and understand all instructions included in this manual. Be familiar with the controls and proper usage of the equipment.



WARNING: EXPLOSION OR FIRE

Flammable vapors, such as solvent and paint vapors, in work area can ignite or explode.

PREVENTION:

1. Use equipment only in well ventilated area. Keep a good supply of fresh air moving through the area to keep the air within the spray area free from accumulation of flammable vapors. Keep pump assembly in well ventilated area. Do not spray pump assembly.
2. Do not fill fuel tank while engine is running or hot; shut off engine and allow to cool. Fuel is flammable and can ignite or explode if spilled on a hot surface.
3. Eliminate all ignition sources, such as pilot lights, cigarettes, portable electric lamps and plastic drop cloths (potential static arc).
4. Keep work area free of debris, including solvent, rags and gasoline.
5. Do not plug or unplug power cords, or turn power or light switches on or off when flammable vapors are present.
6. Ground equipment and conductive objects in work area. Make sure grounding chain is in place and reaches the ground.
7. Use only grounded hoses.
8. Hold spray gun firmly to the side of a grounded pail when triggering into pail.
9. If there is static sparking or if you feel a shock, **stop operation immediately.**
10. Know the contents of the paint and solvents being sprayed. Read all Material Safety Data Sheets (MSDS) and container labels provided with the paints and solvents. Follow the paint and solvent manufacturer's safety instructions.
11. Do not use a paint or solvent containing halogenated hydrocarbons. Such as chlorine, bleach, mildewcide, methylene chloride and trichloroethane. They are not compatible with aluminum. Contact the coating supplier about compatibility of material with aluminum.
12. Keep a fire extinguisher in work area.



WARNING: INJECTION INJURY

A high pressure paint stream produced by this equipment can pierce the skin and underlying tissues, leading to serious injury and possible amputation. See a physician immediately.

PREVENTION:

1. Do not aim the gun at, or spray any person or animal.
2. Keep hands and other body parts away from the discharge. For example, do not try to stop leaks with any part of the body.
3. Always use the nozzle tip guard. Do not spray without the nozzle tip guard in place.

4. Only use a nozzle tip specified by the manufacturer.
5. Use caution when cleaning and changing nozzle tips. In the case where the nozzle tip clogs while spraying, ALWAYS lock gun trigger, shut pump off, and release all pressure before servicing, cleaning tip or guard, or changing tip. Pressure will not be released by turning off the motor. The PRIME/SPRAY valve or pressure bleed valve must be turned to their appropriate positions to relieve system pressure. Refer to PRESSURE RELIEF PROCEDURE described in the pump manual.

NOTE: If necessary, loosen the gun holder clamp knob and then engage the spray gun trigger lock.

6. Do not leave the unit energized or under pressure while unattended. When the unit is not in use, turn off the unit and relieve the pressure in accordance with the manufacturer's instructions.
7. High-pressure spray is able to inject toxins into the body and cause serious bodily injury. In the event that injection occurs, seek medical attention immediately.
8. Check hoses and parts for signs of damage, a leak can inject material into the skin. Inspect hose before each use. Replace any damaged hoses or parts.
9. This system is capable of producing 3000 PSI / 20.7 MPa. Only use replacement parts or accessories that are specified by the manufacturer and that are rated a minimum of 3000 PSI. This includes spray tips, nozzle guards, guns, extensions, fittings, and hose.
10. Always engage the trigger lock when not spraying. Verify the trigger lock is functioning properly.
11. Verify that all connections are secure before operating the unit.
12. Know how to stop the unit and bleed pressure quickly. Be thoroughly familiar with the controls. Pressure will not be released by turning off the motor. The PRIME/SPRAY valve or pressure bleed valve must be turned to their appropriate positions to relieve system pressure. Refer to PRESSURE RELIEF PROCEDURE described in the pump manual.
13. Always remove the spray tip before flushing or cleaning the system.

NOTE TO PHYSICIAN:

Injection into the skin is a traumatic injury which can lead to possible amputation. It is important to treat the injury as soon as possible. DO NOT delay treatment to research toxicity. Toxicity is a concern with some coatings injected directly into the blood stream. Consultation with a plastic surgeon or reconstructive hand surgeon may be advisable.



WARNING: GENERAL

Can cause severe injury or property damage.

PREVENTION:

1. Always wear appropriate gloves, eye protection, clothing and a respirator or mask when painting. Hazardous vapors – Paints, solvents, insecticides, and other materials can be harmful if inhaled or come in contact with body. Vapors can cause severe nausea, fainting or poisoning.
2. Wear ear protection. This unit can produce noise levels above 85 dB(A).
3. Do not operate or spray near children. Keep children away from equipment at all times.
4. Do not overreach or stand on an unstable support. Keep effective footing and balance at all times.
5. Stay alert and watch what you are doing.

Important Safety Information

6. Do not operate the unit when fatigued or under the influence of drugs or alcohol.
7. Do not kink or over-bend the hose. Airless hose can develop leaks from wear, kinking and abuse. A leak can inject material into the skin.
8. Do not expose the hose to temperatures or pressures in excess of those specified by manufacturer.
9. Do not use the hose as a strength member to pull or lift the equipment.
10. Use lowest possible pressure to flush equipment.
11. Follow all appropriate local, state and national codes governing ventilation, fire prevention and operation.
12. The United States Government Safety Standards have been adopted under the Occupational Safety and Health Act (OSHA). These standards, particularly part 1910 of the General Standards and part 1926 of the Construction Standards should be consulted.
13. Before each use, check all hoses for cuts, leaks, abrasion or bulging of cover. Check for damage or movement of couplings. Immediately replace hose if any of those conditions exist. Never repair a paint hose. Replace with a conductive high-pressure hose.
14. Do not spray outdoors on windy days.

IMPORTANT: Do not lift cart handle when loading or unloading.

Gasoline Engine Safety



The engine exhaust from this unit contains chemicals known to the State of California to cause cancer, birth defects, or other reproductive harm.

1. Gas engines are designed to give safe and dependable service if operated according to instructions. Read and understand the engine Owner's Manual before operating the engine. Failure to do so could result in personal injury or equipment damage.
2. To prevent fire hazards and to provide adequate ventilation, keep the engine at least 1 meter (3 feet) away from buildings and other equipment during operation. Do not place flammable objects close to the engine.
3. Children and pets must be kept away from the area of operation due to a possibility of burns from hot engine components or injury from any equipment the engine may be used to operate.
4. Know how to stop the engine quickly, and understand the operation of all controls. Never permit anyone to operate the engine without proper instructions.
5. Gasoline is extremely flammable and is explosive under certain conditions.
6. Refuel in a well-ventilated area with the engine stopped. Do not smoke or allow flames or sparks in the refueling area or where gasoline is stored.
7. Do not overfill the fuel tank. After refueling, make sure the tank cap is closed properly and securely.
8. Be careful not to spill fuel when refueling. Fuel vapor or spilled fuel may ignite. If any fuel is spilled, make sure the area is dry before starting the engine.
9. Never run the engine in an enclosed or confined area. Exhaust contains poisonous carbon monoxide gas; exposure may cause loss of consciousness and may lead to death.
10. The muffler becomes very hot during operation and remains hot for a while after stopping the engine. Be careful not to touch the muffler while it is hot. To avoid severe burns or fire hazards, let the engine cool before transporting it or storing it indoors.
11. Never ship/transport unit with gasoline in the tank.

Specifications

Gallons per minute (GPM)	0.33 (1.25 LPM)
Maximum tip sizes	0.019" — Traffic marking
	0.023" — Field marking
Maximum pressure	3000 PSI (20.7 MPa)
Power	37.7cc, 4-stroke gas engine
Fuel capacity	0.17 US gallons (0.65 L)
Weight	65 lbs. (29.5 kg)
Inlet paint filter	10 mesh "rock catcher"
Hose connection	1/4" NPS(M)
Line width range	2"–12" (5–30 cm)
Dimensions	41" L (104 cm) x 21" W (53.3 cm) x 32" H (81.3 cm)

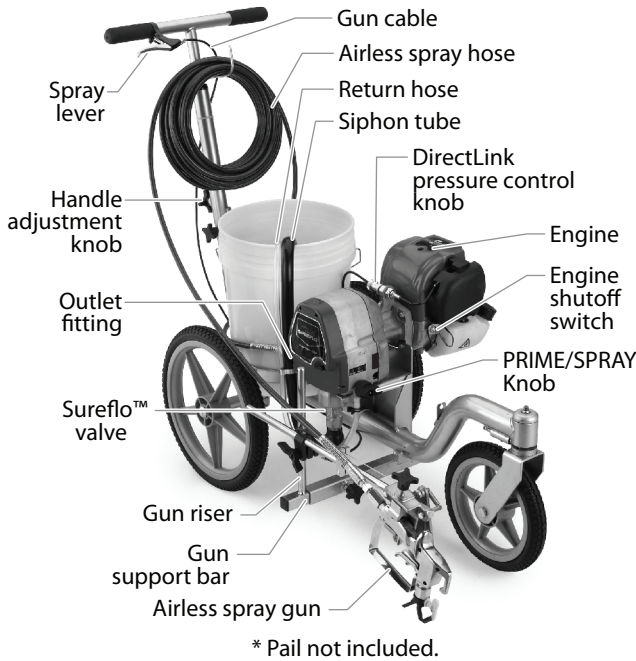
Table of Contents

Safety Instructions	2
Specifications	3
General Description	4
Operation	4
Fueling	4
Operator Controls.....	4
Setup	5
Preparing to Paint.....	6
Painting	7
Pressure Relief Procedure	8
Clearing a Clogged Tip	8
Changing a Spray Tip	8
Stenciling.....	8
Operating the Front Caster	8
Cleanup	9
Special Cleanup.....	9
Cleaning/Replacing the Gun Filter.....	10
Cleaning the Sureflo Valve Assembly.....	10
Maintenance	10
General Repair and Service Notes	10
Adjusting the Trigger Tension	10
Maintaining the Engine	11
Safety Shut-Off Switch.....	11
Replacing the PRIME/SPRAY Valve.....	11
Servicing the Fluid Section.....	12
Troubleshooting	14
Parts Listings	44
Main Assembly	44
Drive Assembly	46
Cart Assembly	48
Gun Holder Assembly	50
Spray Gun	51
Electrical Schematic.....	52
Labels	52
Accessories	53
Product Registration	56
Limited Warranty	56

General Description

This airless line striper is a precision power tool used to spray many types of material for many types of applications including parking lots, curbs, and athletic fields. Read and follow this instruction manual carefully for proper operating instructions, maintenance, and safety information.

IMPORTANT : In order to prevent spills, make sure the pail is covered whenever the unit is moving.



Operation

Fueling (gas engine)



Gasoline is extremely flammable and is explosive under certain conditions.

- ALWAYS turn the engine off before refueling.
- Refuel in a well-ventilated area.
- Do not smoke or allow flames or sparks in the refueling area or where gasoline is stored.
- Do not overfill the fuel tank. After refueling, make sure the tank cap is closed properly and securely.
- Be careful not to spill fuel when refueling. Spilled fuel or fuel vapor may ignite. If any fuel is spilled, make sure the area is dry before starting the engine.
- Avoid repeated or prolonged contact with skin or breathing of vapor.
- Keep out of the reach of children.

Fuel Specifications

- Use automotive gasoline that has a pump octane number of 86 or higher, or that has a research octane number of 91 or higher. Use of a lower octane gasoline can cause persistent "pinging" or heavy "spark knock" (a metallic rapping noise) which, if severe, can lead to engine damage.

NOTE: If "spark knock" or "pinging" occurs at a steady engine speed under normal load, change brands of gasoline. If spark knock or pinging persists, consult an authorized dealer of the engine manufacturer. Failure to do so is considered misuse, and damage caused by misuse is not covered by the engine manufacturer's limited warranty.

Occasionally you may experience light spark knock while operating under heavy loads. This is no cause for concern, it simply means your engine is operating efficiently.

- Unleaded fuel produces fewer engine and spark plug deposits and extends the life of the exhaust system components.
- Never use stale or contaminated gasoline or an oil/gasoline mixture. Avoid getting dirt, dust, or water in the fuel tank.

Gasolines Containing Alcohol

If you decide to use a gasoline containing alcohol (gasohol), be sure its octane rating is at least as high as that recommended by the engine manufacturer. There are two types of "gasohol": one containing ethanol, and the other containing methanol. Do not use gasohol that contains more than 10% ethanol. Do not use gasoline containing methanol (methyl or wood alcohol) that does not also contain co-solvents and corrosion inhibitors for methanol. Never use gasoline containing more than 5% methanol, even if it has co-solvents and corrosion inhibitors.

NOTE: Fuel system damage or engine performance problems resulting from the use of fuels that contain alcohol is not covered under the warranty. The engine manufacturer cannot endorse the use of fuels containing methanol since evidence of their suitability is incomplete at this time.

Before buying gasoline from an unfamiliar station, try to find out if the gasoline contains alcohol. If it does, confirm the type and percentage of alcohol used. If you notice any undesirable operating characteristics while using a gasoline that contains alcohol, or one that you think contains alcohol, switch to a gasoline that you know does not contain alcohol.

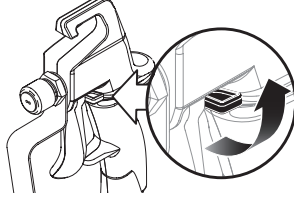
Operator Controls

The following section describes the operator controls on the spray gun and line striper.

Spray Gun Trigger Lock

Engage the trigger lock whenever the gun is not in use.

The gun is locked when the trigger lock is at a 90° angle (perpendicular to the trigger in either direction).



NOTE: If necessary, loosen the gun holder clamp knob and then engage the spray gun trigger lock. Move the spray gun to its original position and tighten the clamp knob.

Spray Lever

The spray lever is located on the cart handle. The spray lever controls the trigger on the spray gun.

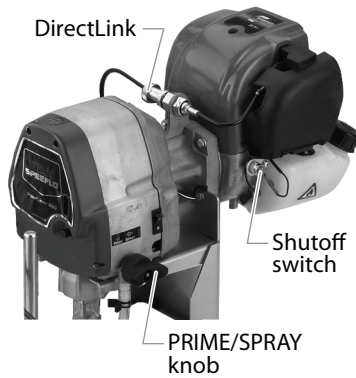
Fully pulling the spray lever triggers the spray gun. While striping, the spray lever should be fully pulled for proper operation.



DirectLink™

Spraying pressure is determined by the motor throttle.

The throttle is regulated by adjusting the DirectLink™ pressure control knob. The higher the throttle, the higher the spraying pressure.



PRIME/SPRAY Knob

The PRIME/SPRAY knob directs material to the material return tube when set to PRIME or to spray hose when set to SPRAY.

The arrows on the PRIME/SPRAY knob shows the rotation directions for PRIME and SPRAY.

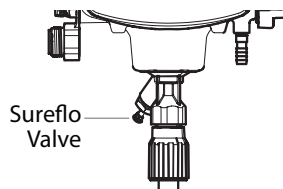
Shutoff Switch

The engine shutoff switch will shut the engine off when it is running. Press and hold the shutoff switch in order to shut the engine off.

Sureflo™ Valve

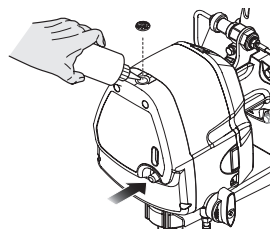
The Sureflo™ Valve is designed to keep the inlet valve open and from sticking to dried materials.

The Sureflo Valve is activated manual by the user.



AutoOiler™

The AutoOiler is designed to provide lubrication to the fluid section of the pump. After initial setup, press the AutoOiler button 2-3 times before each use.



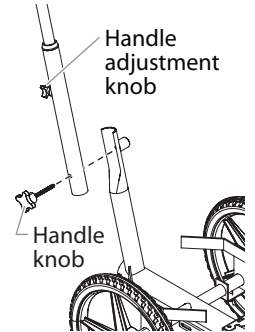
Setup

Perform the following procedure before starting the engine of a gas-powered line striper.



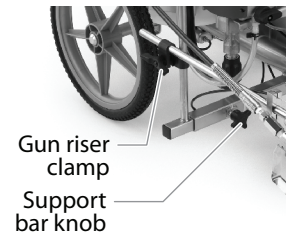
This equipment produces a fluid stream at extremely high pressure. Read and understand the warnings in the Safety Precautions section at the front of this manual before operating this equipment.

1. Attach the handle to the cart.
 - a. Line up the hole in the bottom of the handle with the support weldment on the cart.
 - b. Thread the bolt through the hole in the handle and the weldment. Tighten by turning the knob of the bolt clockwise.
 - c. Position the handle at the desired height. Loosen the knob on the rear of the support weldment in order to loosen the handle.
 - d. Pull the handle up or down to the desired height. Tighten the handle knob in order to secure the handle.
2. Make sure that the siphon tube and the return hose are attached and secure.
3. Using a wrench, thread the airless spray hose to the outlet fitting on the sprayer. Tighten securely.
4. Attach an airless spray gun to the spray hose. Using two wrenches (one on the gun and one on the hose), tighten securely.



NOTE: The spray gun and cables are mounted to the gun support bar at the factory.
NOTE: Do not attach the tip to the spray gun yet. Remove the tip if it is already attached.

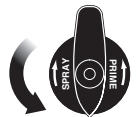
5. Position the spray gun.
 - a. Loosen the support bar knob and slide the gun support bar to the desired horizontal position. Make sure the gun is far enough away from the cart so that the rear wheel does not track over the fresh spray pattern.
 - b. Loosen the gun riser clamp and slide the spray gun to the desired vertical position. A distance of 6" from the tip to the spray surface is a good starting point.



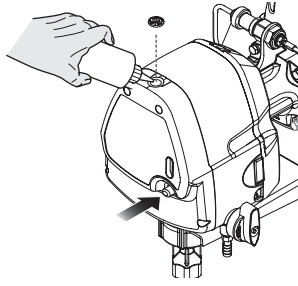
NOTE: The height of the spray gun affects the width of the spray pattern (i.e., the lower the gun, the smaller the line width). Tip size also affects line width.

6. Make sure the gun cable is operating properly. When pulling the spray lever on the cart handle, the gun cable should be pulling the trigger. This cable is factory-set to operate properly. If adjustment to the gun trigger tension is required, refer to the "Adjusting the Trigger Tension" procedure in the Maintenance section of this manual.
7. Turn the PRIME/SPRAY knob to the PRIME position.

IMPORTANT: Never operate unit for more than ten seconds without fluid. Operating this unit without fluid will cause unnecessary wear to the packings.



8. Remove AutoOiler cap with a flat blade screwdriver. Squirt Piston Lube™ into the AutoOiler. Replace cap.
9. Push AutoOiler button 2-5 times to lubricate the fluid section.
10. Check the engine oil level. The gasoline engine oil level is determined by the manufacturer. Refer to the engine manufacturer's service manual (supplied).
11. Fill the gas tank on the engine with unleaded gasoline only. Do not mix the gasoline with 2-cycle oil.



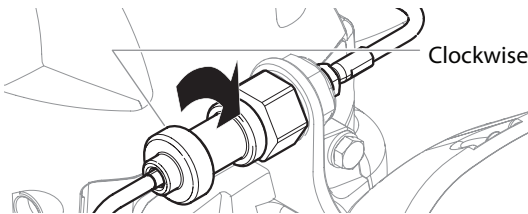
Preparing to Paint

Before painting, it is important to make sure that the fluid in the system is compatible with the paint that is going to be used.

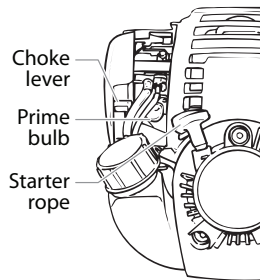
NOTE: If this unit is new, it is shipped with test fluid in the fluid section to prevent corrosion during shipment and storage. This fluid must be thoroughly cleaned out of the system before you begin spraying. Incompatible fluids and paint may cause the valves to become stuck closed, which would require disassembly and cleaning of the sprayer's fluid section.

IMPORTANT: Always keep the trigger lock on the spray gun in the locked position while preparing the system. If necessary, loosen the gun holder clamp knob and then engage the spray gun trigger lock.

1. Place the siphon tube into a container of the appropriate solvent for the material being sprayed (refer to recommendations of the material manufacturer). An example of the appropriate solvent is water for latex paint.
2. Place the return hose into a metal waste container.
3. Turn the PRIME/SPRAY knob to the PRIME position.
4. Fully depress the pusher stem to make sure the inlet ball is free.
5. Turn the DirectLink pressure control knob fully clockwise to minimum.



6. Start the engine:
 - a. Move the choke lever up to the full choke position.
 - b. Push the rubber prime button 7-10 times.
 - c. Pull the starter rope rapidly and firmly. Continue to hold the rope as you let it return. Pull and return the rope until the engine starts.
 - d. Once the engine is running, slowly move the choke lever down to the closed position.



NOTE: If you are having trouble starting the motor, rotate the DirectLink pressure control knob 1-2 turns counter-clockwise.

7. Slowly turn the DirectLink pressure control knob counterclockwise to increase the pressure until fluid starts to come out of the return hose. Use only enough pressure to keep the fluid coming out.
8. Allow the sprayer to run for 15-30 seconds to flush the test fluid out through the return hose and into the waste container.
9. Turn the DirectLink pressure control knob fully clockwise to minimum.
10. Turn off the sprayer by pressing and holding the engine shutoff switch until the motor shuts off.

NOTE: Make sure that the spray gun does not have a tip or tip guard installed.

11. Place a metal waste container underneath the spray gun to catch the solvent.
12. Start the engine.
13. Turn the PRIME/SPRAY knob to the SPRAY position.
14. Turn the DirectLink pressure control knob slowly counterclockwise to increase the pressure.
15. Unlock the gun by turning the gun trigger lock to the unlocked position.
16. Fully pull the spray lever on the cart handle. Fluid will begin flowing through the spray hose and out of the gun.
17. Continue to pull the spray lever on the cart handle until the old solvent/test fluid is gone and fresh solvent is coming out of the gun.
18. Release the spray lever.
19. Lock the gun by turning the gun trigger lock to the locked position. If necessary, loosen the gun holder clamp knob and then engage the spray gun trigger lock. Move the spray gun to its original position and tighten the clamp knob.
20. Check the entire system for leaks. If leaks occur, turn the sprayer off and follow the "Pressure Relief Procedure" in this manual before tightening any fittings or hoses.
21. Follow the "Pressure Relief Procedure" in this manual before changing from solvent to paint.



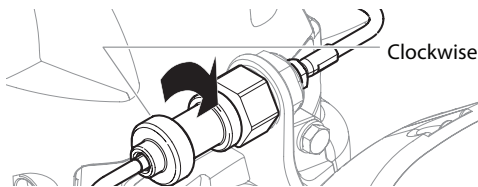
Be sure to follow the Pressure Relief Procedure when shutting the unit down for any purpose, including servicing or adjusting any part of the spray system, changing or cleaning spray tips, or preparing for cleanup.

Painting

- Place a five gallon bucket of material between the bucket holders on the cart. Make sure the bucket holders hold the five gallon bucket securely. Adjust the bucket holders using the thumb screw located underneath each holder, if necessary.

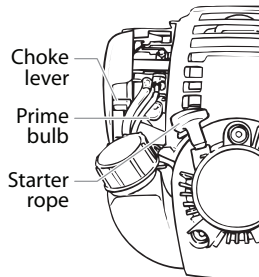
NOTE: When using this line striper for first time, it may be helpful to use water in place of paint to gain familiarity with the operation of the line striper. After changing from water to paint, test spray several lines on cardboard, roofing felt, or rosin paper before striping to ensure correct line width.

- Place the siphon tube into the bucket of material.
- Place the return hose into a metal waste container.
- Turn the PRIME/SPRAY knob to the PRIME position.
- Fully depress the pusher stem to make sure the inlet ball is free.
- Turn the DirectLink pressure control knob fully clockwise to minimum.



7. Start the engine:

- Move the choke lever up to the full choke position.
- Push the rubber prime button 7-10 times.
- Pull the starter rope rapidly and firmly. Continue to hold the rope as you let it return. Pull and return the rope until the engine starts.
- Once the engine is running, slowly move the choke lever down to the closed position.



- Slowly turn the DirectLink pressure control knob counterclockwise to increase the pressure until fluid starts to come out of the return hose. Use only enough pressure to keep the fluid coming out.
- Allow the sprayer to run for 15–30 seconds to flush the test fluid out through the return hose and into the waste container.
- Turn the DirectLink pressure control knob fully clockwise to minimum.
- Turn off the sprayer by pressing and holding the engine shutoff switch until the motor shuts off.
- Remove the return hose from the waste container and place it in its operating position above the bucket of material.
- Start the engine.

- Turn the PRIME/SPRAY knob to the SPRAY position.
- Unlock the gun by turning the gun trigger lock to the unlocked position.
- Turn the DirectLink pressure control knob slowly counterclockwise to increase the pressure.



- Fully pull the spray lever on the cart handle. Fluid will begin flowing through the spray hose and out of the gun.
- Continue to pull the spray lever on the cart handle until material is coming out of the gun.
- Release the spray lever.
- Lock the gun by turning the gun trigger lock to the locked position. If necessary, loosen the gun holder clamp knob and

then engage the spray gun trigger lock. Move the spray gun to its original position and tighten the clamp knob.

- Turn the DirectLink pressure control knob fully clockwise to minimum.
- Turn the PRIME/SPRAY knob to PRIME.
- Turn off the sprayer by pressing and holding the engine shutoff switch until the motor shuts off.
- Attach tip guard and tip to the spray gun. Refer to the instructions later in this section.



POSSIBLE INJECTION HAZARD. Do not spray without the tip guard in place. Never trigger the gun unless the tip is in either the spray or the unclog position. Always engage the gun trigger lock before removing, replacing or cleaning tip.

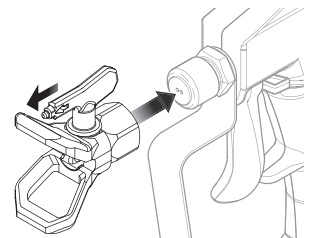
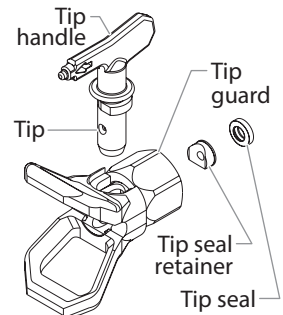
- Start the engine.
- Turn the PRIME/SPRAY knob to SPRAY.
- Fully pull the spray lever on the cart handle to trigger the spray gun. Test the spray pattern and line position on a long piece of roofing felt or cardboard. Check for proper line width and position. If adjustment to the position of the spray gun is required, refer to the "Setup" procedure earlier in this section.
- Make sure that the spray gun shuts off completely when the gun trigger is released. If adjustment to the trigger tension is required, refer to the "Adjusting the Trigger Tension" procedure in the Maintenance section of this manual.
- Begin striping.
 - Position the line striper slightly in front of the striping path.
 - Start walking with the line striper and trigger the gun at the beginning of the striping path.
 - At the end of striping path, release the trigger and continue walking a short distance, if possible.

NOTE: Triggering the gun after the line striper is moving and releasing the trigger before the line striper stops produces an evenly painted line from start to finish. If the striping path ends at an obstacle, release the trigger at the same moment that the line striper stops moving.

Attaching the Tip Guard and Tip

Use the following procedure to install the tip guard and tip to the spray gun.

- Perform the "Pressure Relief Procedure" described in this manual.
- Using the arrow head on the tip handle, insert the tip seal and tip seal retainer into the back of the tip guard. Press in for final adjustment.
- Insert the tip into the slot on the tip guard.
- Thread the tip guard onto the gun. Position the tip guard in the desired spraying position and tighten securely.



NOTE: The arrow on the tip handle should be pointing in the forward direction for spraying.

Pressure Relief Procedure



Be sure to follow the pressure relief procedure when shutting the unit down for any purpose, including servicing or adjusting any part of the spray system, changing or cleaning spray tips, or preparing for cleanup.

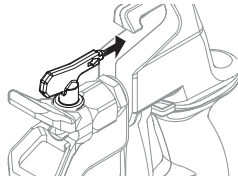
1. Lock the gun by turning the gun trigger lock to the locked position. If necessary, loosen the gun holder clamp knob and then engage the spray gun trigger lock. Move the spray gun to its original position and tighten the clamp knob.
2. Turn the DirectLink pressure control knob fully clockwise to minimum.
3. Turn the PRIME/SPRAY knob to the PRIME position.
4. Turn off the sprayer by pressing and holding the engine shutoff switch until the motor shuts off.
5. Unlock the gun by turning the gun trigger lock to the unlocked position.
6. Fully pull the spray lever on the cart handle to trigger the spray gun and release any remaining pressure in the hose.
7. Lock the gun by turning the gun trigger lock to the locked position. If necessary, loosen the gun holder clamp knob and then engage the spray gun trigger lock. Move the spray gun to its original position and tighten the clamp knob.



Clearing a Clogged Tip

If the spray pattern becomes distorted or stops completely while the trigger is pulled, follow these steps.

1. Place a sheet of cardboard or small bucket under the spray gun to catch the paint.
2. Rotate the tip 180° so that the arrow on the tip handle is pointing opposite the spray direction.



NOTE: If the tip is difficult to rotate, relieve pressure by 1) slowly turning the PRIME/SPRAY knob to PRIME, 2) unlock the spray gun, and 3) squeeze the spray lever. Release the lever, lock the spray gun, and try rotating the spray tip again.

3. Make sure the PRIME/SPRAY knob is turned to SPRAY. Unlock the spray gun.
4. Trigger the gun once so that the pressure can blow the clog out.

IMPORTANT: Never pull the trigger more than once at time with the tip in the reverse position.

5. Continue this procedure until the tip is clear of the clog.



Do not attempt to clean the tip with your finger.

Do not use a needle or other sharp pointed instrument to clean the tip. The hard tungsten carbide is brittle and can be chipped.

Changing a Spray Tip

Tips can be removed and replaced easily without disassembling the gun.

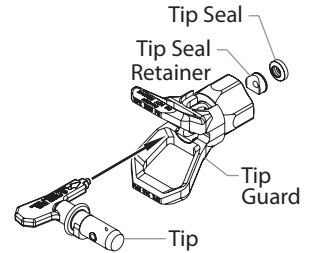


Never attempt to change or clean the tip or tip guard without first performing the "Pressure Relief Procedure."

1. Perform the "Pressure Relief Procedure" described in the sprayer's Owner's Manual.
2. Remove the tip from the slot on the tip guard.
3. Insert the new tip into the slot on the tip guard. The arrow on the tip handle should be pointing in the forward direction for spraying.

Removing the Seal and Tip Seal

1. Remove the tip from the tip guard.
2. Insert the tip handle through the front of the tip guard.
3. Push the seal and tip seal out through the back of the tip guard.



Identifying Tip Sizes

To identify tip sizes, use the following formula. A "1908" tip size will be used in this example.

The last two digits divided by two represent the size of the spray pattern when spraying 6" away from the work surface:

$$08 \div 2 = 4" \text{ spray pattern}$$

The first two digits represent the diameter of the orifice on the tip:

$$19 = .019" \text{ orifice}$$

NOTE: Worn spray tips will adversely affect the spray pattern and result in reduced production, poor finish, and wasted material. Replace worn tips immediately.

Stenciling

To stencil with this line striper, make multiple spraying passes from right to left over the stencil with the spray gun connected to the gun holder. Or, the spray gun can be removed and used independently from the striper.

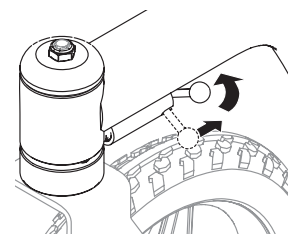
To remove the spray gun:

1. Perform the Pressure Relief Procedure in the Operation section of this manual.
2. Loosen the gun holder block knob on top of the gun holder.
3. Slide the spray gun out of the gun holder.

Operating the Front Caster

The front caster on the cart is designed to track the sprayer in either a straight line or allow free-wheel striping. To adjust the front caster:

1. Pull the handle on the side of the caster up and back to release the wheel for free-wheel striping.
2. To lock the wheel back into place, pull the handle down. Once the front wheel is turned straight again, the wheel will lock back into place.



Cleanup



Special cleanup instructions for use with flammable solvents:

- Always flush spray gun preferably outside and at least one hose length from spray pump.
- If collecting flushed solvents in a one gallon metal container, place it into an empty five gallon container, then flush solvents.
- Area must be free of flammable vapors.
- Follow all cleanup instructions.

IMPORTANT: The sprayer, hose, and gun should be cleaned thoroughly after daily use. Failure to do so permits material to build up, seriously affecting the performance of the unit.



Always spray at minimum pressure with the gun spray tip removed when using mineral spirits or any other solvent to clean the sprayer, hose, or gun. Static electricity buildup may result in a fire or explosion in the presence of flammable vapors.

1. Follow the "Pressure Relief Procedure" found in the Operation section of this manual.
2. Remove the gun tip and tip guard and clean with a brush using the appropriate solvent.
3. Place the siphon tube into a container of the appropriate solvent (refer to recommendations of the material manufacturer). An example of the appropriate solvent is water for latex paint.
4. Place the return hose into a metal waste container.
5. Turn the PRIME/SPRAY knob to the PRIME position.
6. Start the engine.
7. Slowly turn the DirectLink pressure control knob counterclockwise to increase the pressure until fluid starts to come out of the return hose. Use only enough pressure to keep the fluid coming out.
8. Allow the fluid to circulate through the sprayer and flush the paint out of the return hose into the metal waste container.
9. Turn off the sprayer by pressing and holding the engine shutoff switch until the motor shuts off.
10. Place a metal waste container underneath the spray gun to catch the paint and solvent.
11. Start the engine.
12. Turn the PRIME/SPRAY knob to the SPRAY position.
13. Turn the DirectLink pressure control knob slowly counterclockwise to increase the pressure.
14. Fully pull the spray lever on the cart handle to trigger the spray gun. Fluid will begin flowing through the spray hose and out of the gun.
15. Continue to pull the spray lever on the cart handle until the material is flushed out of the hose and the solvent coming out of the gun is clean.
16. Release the spray lever.



NOTE: For long-term or cold weather storage, pump Pump Saver™ through the entire system.

17. Follow the "Pressure Relief Procedure" found in the Operation section of this manual.
18. Store the sprayer in a clean, dry area.

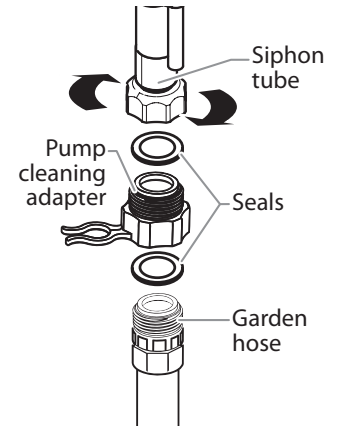
IMPORTANT: Do not store the sprayer under pressure.

Special Cleanup

IMPORTANT: Perform the following procedure after spraying with water-based materials only.

Perform the following procedure when the valves of the sprayer are stuck or when preparing the sprayer for long term storage. The use of a pump cleaning adapter that attaches to the bottom of the siphon tube is required (the pump cleaning adapter is included with the sprayer).

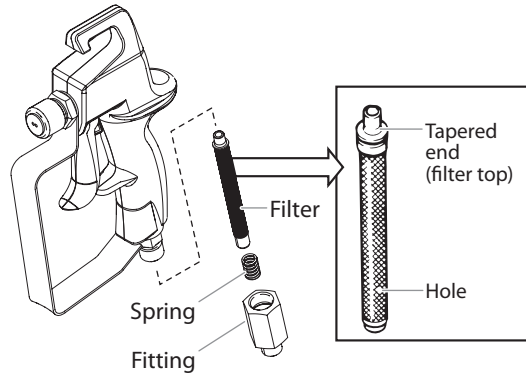
1. Lock the gun and remove the spray tip assembly. If necessary, loosen the gun holder clamp knob and then engage the spray gun trigger lock. Move the spray gun to its original position and tighten the clamp knob. Place the suction tube and return tube into an empty waste container.
2. Using a garden hose, rinse off the siphon tube, return hose and inlet filter. Empty the waste container.
3. Remove the inlet filter from the suction tube and place into a waste container.
4. Verify that the seals are present inside the adapter and suction tube. Thread the pump cleaning adapter onto a garden hose. Connect the hose and adapter to the fitting on the end of the siphon tube.
5. Unclip the return hose from the siphon tube and place it into the waste container.
6. Turn the PRIME/SPRAY knob to the PRIME position.
7. Turn on the water supply.
8. Start the engine. Water will go into the siphon tube and out through the return hose. Let the sprayer run for a few minutes to allow the return hose to be flushed.
9. Turn off the sprayer by pressing and holding the engine shutoff switch until the motor shuts off.
10. Place a metal waste container underneath the spray gun to catch the cleaning solution.
11. Start the engine.
12. Turn the PRIME/SPRAY knob to the SPRAY position.
13. Turn the DirectLink pressure control knob slowly counterclockwise to increase the pressure.
14. Fully pull the spray lever on the cart handle to trigger the spray gun. Fluid will begin flowing through the spray hose and out of the gun.
15. Continue to pull the spray lever on the cart handle until the material is flushed out of the hose and the water coming out of the gun is clean.
16. Release the spray lever.
17. Follow the "Pressure Relief Procedure" found in the Operation section of this manual.



Cleaning/Replacing the Gun Filter

The gun filter must be cleaned after every use of the sprayer. When using thicker spray materials, the filter might need to be cleaned more often.

1. Perform Pressure Relief Procedure in the Operation section of this manual.
2. Unscrew the fitting from the bottom of the spray gun using an adjustable wrench, making sure not to lose the spring.
3. Remove the filter from the spray gun housing and clean with the appropriate cleaning solution (warm, soapy water for latex paints, mineral spirits for oil-based materials).
4. Inspect the filter for holes. Replace if holes are found.



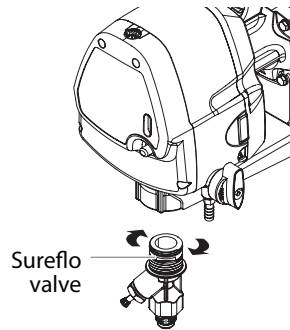
NOTE: Never poke the filter with a sharp instrument!

5. Replace the cleaned filter, tapered end first, into the gun housing. The tapered end of the filter must be loaded properly into the gun. Improper assembly will result in a plugged tip or no flow from the gun.
6. Reassemble the spray gun.

Cleaning the Sureflo™ Valve Assembly

Cleaning or servicing the Sureflo Valve may be required if the unit has priming problems.

1. Remove the siphon tube.
2. Unscrew the inlet valve assembly from the sprayer. Visually inspect the inside and outside of the Sureflo Valve assembly. Clean any paint residue with the appropriate cleaning solution.
3. Lubricate the o-ring on the Sureflo Valve with petroleum jelly. Replace Sureflo valve assembly by threading it into the sprayer. Torque to 32–38 ft./lbs.
4. Replace the siphon tube and tighten securely.



NOTE: If priming problems continue, you may need to replace the Sureflo valve. Contact Technical Service to order a new Sureflo Valve assembly.

Maintenance



Before proceeding, follow the Pressure Relief Procedure outlined previously in this manual. Additionally, follow all other warnings to reduce the risk of an injection injury, injury from moving parts, or electric shock.

General Repair and Service Notes

The following tools are needed when repairing this sprayer:

flat-blade screwdriver	T20 Torx head driver
needle-nose pliers	adjustable wrench

1. Before repairing any part of the sprayer, read the instructions carefully, including all warnings.

IMPORTANT: Never pull on a wire to disconnect it. Pulling on a wire could loosen the connector from the wire.

2. Test your repair before regular operation of the sprayer to be sure that the problem is corrected. If the sprayer does not operate properly, review the repair procedure to determine if everything was done correctly. Refer to the Troubleshooting section to help identify other possible problems.
3. Make certain that the service area is well ventilated in case solvents are used during cleaning. Always wear protective eyewear while servicing. Additional protective equipment may be required depending on the type of cleaning solvent. Always contact the supplier of solvents for recommendations.
4. If you have any further questions concerning your TITAN Airless Sprayer, call TITAN:

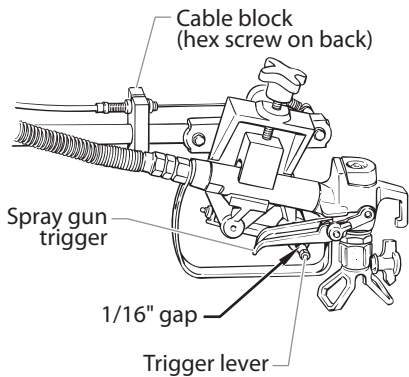
Technical Service (U.S.).....	1-800-526-5362
Fax	1-800-528-4826

Adjusting the Trigger Tension

Use the following procedure to adjust the spring tension of the trigger lever on the gun holder assembly. The trigger lever pulls and releases the spray gun trigger when operated from the spray lever on the cart. The proper tension ensures that the gun will shut off when the gun trigger is released. To ensure proper tension, there should be approximately a 1/16" gap between the trigger lever and the spray gun trigger.

IMPORTANT: Always keep the trigger lock on the spray gun in the locked position while making adjustments to the system. If necessary, loosen the gun holder clamp knob and then engage the spray gun trigger lock. Move the spray gun to its original position and tighten the clamp knob.

- Using a 9/16" hex wrench, loosen the hex screw on the cable block.
- Move the cable block in the appropriate direction to create a gap of 1/16" between the trigger lever and spray gun trigger.
 - Slide the cable block toward the gun to increase the gap between the trigger lever and spray gun trigger.
 - Slide the cable block away from the gun to decrease the gap between the trigger lever and spray gun trigger.



- Tighten the hex screw securely.

Maintaining the Engine

NOTE: For detailed engine specifications and maintenance, refer to the separate engine manual supplied with this sprayer.

Routine Engine Maintenance

Daily

- Check and fill the gas tank.
- After the first 20 hours of operation, drain the oil and refill with clean oil. Check the engine oil level and fill as necessary.

Weekly

- Remove the cover of the air filter and clean the element. Replace the element if necessary. If operating in an unusually dusty environment, check the filter daily and replace if necessary. (Replacement elements can be purchased from your local Titan dealer.)
- After each 50 hours of operation: Change the engine oil.

Safety Shut-Off Switch

The safety shut-off switch is pre-set by the factory to shut down the sprayer to prevent over-pressurization. Do not attempt to adjust or tamper with the safety shut-off switch. Contact an authorized service center if this setting requires adjustment.

NOTE: The safety shut-off switch should be set to shut down the sprayer between 3200 – 3300 PSI.

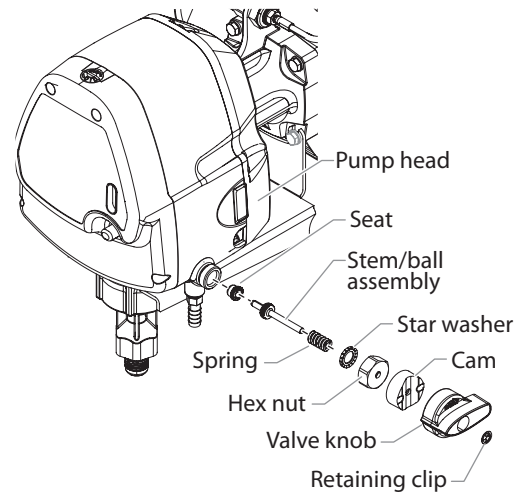
Replacing the PRIME/SPRAY Valve

Perform the following procedure using PRIME/SPRAY valve replacement kit P/N 759-380.



Before proceeding, follow the Pressure Relief Procedure outlined previously in this manual. Additionally, follow all other warnings to reduce the risk of an injection injury, injury from moving parts, or electric shock.

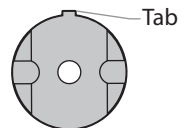
- Pry off the retaining clip from inside the recessed portion of the valve knob. Remove the valve knob.
- Slide the cam off of the stem/ball assembly.
- Using a wrench, remove the hex nut from the pump head.
- Remove the star washer, spring, and stem/ball assembly from the pump head.
- Using a 7/32" hex wrench, remove the stem/ball assembly seat from the pump head.



- Tighten the new stem/ball assembly seat into the pump head. Use a 7/32" hex wrench. Torque to 6-8 ft./lbs.
- Apply a light coating of hydraulic oil around the o-ring on the new stem/ball assembly.
- Push the stem/ball assembly into the stem/ball assembly seat in the pump head.
- Place the new spring and star washer around the stem/ball assembly.
- Slide the new hex nut onto the stem of the stem/ball assembly, thread it onto the pump head, and tighten with a wrench. Torque the nut to 12-14 ft./lbs.
- Apply a light coating of grease to the top of the cam.
- Slide the new cam onto the stem of the stem/ball assembly and over the hex nut. The design of the cam will allow the hex nut to fit inside the cam, causing the cam to lock in position.

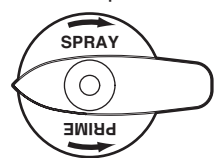
NOTE: Position the cam on the hex nut so that the tab on the side of the cam is as close to the 12:00 position as possible.

Tab on cam in 12:00 position

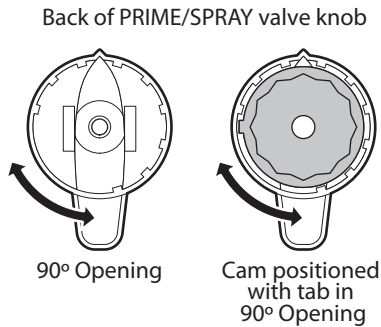


- Place the new PRIME/SPRAY valve knob over the cam with the pointer on the knob as close to the 9:00 position as possible. Make sure the knob is pushed completely onto the cam (the knob should cover the cam completely).

Pointer on valve knob in 9:00 position



NOTE: The knob is designed to allow 90° of movement between the SPRAY and PRIME positions. The inside of the knob has a 90° opening in it's circumference where the tab of the cam should be positioned to allow this movement. When placing the knob with the arrow in the 9:00 position, make sure that the tab on the cam is within the 90° opening on the inside of the knob. Then, make sure the knob is at the end of its movement in the clockwise direction (this is the SPRAY position) before continuing with this procedure.



14. Slowly turn the knob counterclockwise until the bottom of the knob moves out to where it is flush with the bottom of the cam (approximately 5–7°).
15. Place the retaining clip over the stem of the stem/ball assembly where the stem passes through the recessed portion of the knob.
16. Using a 5/16" (8mm) nut driver, push the clip into the recessed portion of the knob with steady, even pressure until it stops.

IMPORTANT: Do not hammer or wiggle the clip into position. It will damage the clip.

18. Turn the PRIME/SPRAY knob to the PRIME position.
19. Start up the sprayer and run water through the system to check for leaks. If there are no leaks, the sprayer is ready to use.

Servicing the Fluid Section

Use the following procedures to replace the seals and repack the fluid section.

NOTE: Repacking kit P/N 759-365 is available. For best results use all parts supplied in this kit.

Disassembling the Fluid Section

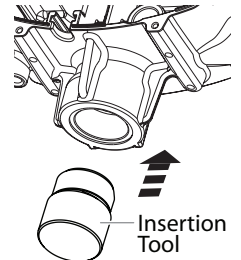


Before proceeding, follow the Pressure Relief Procedure outlined previously in this manual. Additionally, follow all other warnings to reduce the risk of an injection injury, injury from moving parts, or electric shock.

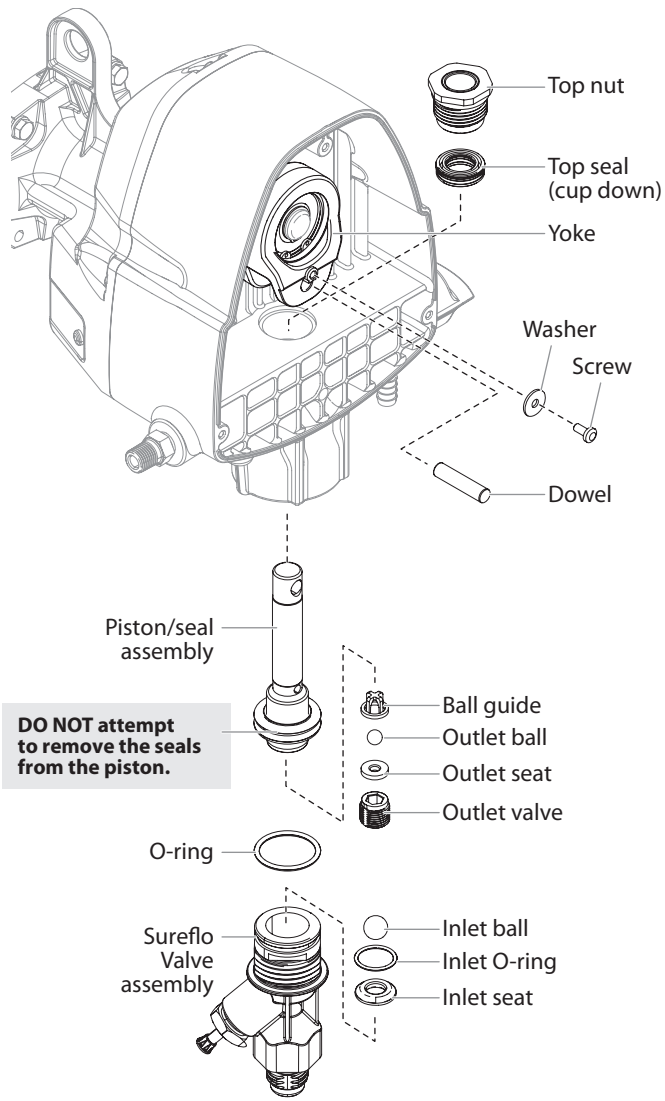
1. Remove the suction set.
2. Remove the front cover and the four (4) screws that secure it using a T20 Torx head driver.
3. Remove the yoke screw and washer that secures the dowel pin. The dowel pin connects the yoke to the piston.
4. Using a pliers, pull the dowel pin out.
5. Rotate the pump shaft so the piston is in the top dead center position. This can be done by pushing on the yoke. This is required to disassemble all the parts.
6. Unscrew and remove the Sureflo Valve assembly (refer to the Cleaning the Sureflo Valve procedure in the Cleanup section of this manual).
7. Remove the piston assembly by pushing down on the piston near the yoke.
8. Unscrew and remove the top nut using an adjustable wrench.
9. Remove the worn seal using a flat head screwdriver or punch. Remove the top seal from the top by pressing against the side of the seal and popping it out. Be sure not to scratch the housing where the seals are located.
10. Clean the area where the new seals are to be installed.

Assembling the Fluid Section

1. Lubricate the new top seal with Piston Lube (P/N 314-480) or light household oil and place the seal by hand with the cup side of seal down into the top port of the housing.
2. Place a small amount of anti-seize on the threads of the top nut. Place the top nut into the top of the housing and tighten with an adjustable wrench. This will drive the top seal into the correct position.
3. Lubricate the seal on the piston/seal assembly similar to the top seal. Place the piston/seal assembly into the bottom of the housing. Insert the insertion tool and push into position to properly seat the piston/seal. Remove the insertion tool.
4. Install the new O-ring on the Sureflo Valve assembly, lubricate with Piston Lube (P/N 314-480), thread into the bottom (inlet) of the housing, and tighten with an adjustable wrench. This will drive the bottom seal into the correct position.
5. Align the piston with the yoke. Be careful not to damage the piston.
6. Apply any type of non-silicone household grease to the piston and yoke area (where the dowel is inserted) to prolong life.
7. Install the dowel pin to connect the yoke to the piston. The piston may have to be moved up or down to align with the yoke.
8. Install the yoke screw and washer to secure the dowel pin.
9. Turn pump right side up and apply a few drops of Piston Lube or light household oil between the top nut and piston. This will prolong the seal life.



10. Install front cover and four (4) screws.
11. Replace Sureflo Valve and install the suction set.
12. Turn on the sprayer by following the procedure in the "Operation" section of this manual and check for leaks.



Troubleshooting

Problem

Cause

Solution

A. The unit will not run.

1. The pressure is set too low.
2. Faulty or loose wiring.
3. The gas tank is empty.

1. Turn the DirectLink pressure control knob slowly counterclockwise to increase the pressure.
2. Inspect or take to an authorized service center.
3. Fill the gas tank.

B. The unit will not prime.

1. The PRIME/SPRAY knob is in the SPRAY position.
2. Air leak in the siphon tube/siphon set.
3. The inlet screen is clogged.
4. The siphon tube/siphon set is clogged.

1. Rotate the PRIME/SPRAY knob to the PRIME position.
2. Check the siphon tube/siphon set connection and tighten or re-tape the connection with PTFE tape.
3. Remove the inlet screen and clean.
4. Remove the siphon tube/siphon set and clean.

C. The unit will not build or maintain pressure.

1. The spray tip is worn.
2. The spray tip is too large.
3. The gun filter, or inlet screen is clogged.
4. Material flows from the return hose when the PRIME/SPRAY valve is in the SPRAY position.
5. Air leak in the siphon tube/siphon set.
6. There is external fluid leak.
7. There is an internal fluid section leak (seals are worn and/or dirty, valve balls are worn).
8. Worn valve seats

1. Replace the spray tip following the instructions in this manual.
2. Replace the spray tip with a tip that has a smaller orifice following the instructions in this manual.
3. Remove the gun filter and clean. Remove the inlet screen and clean.
4. Clean or replace the PRIME/SPRAY valve.
5. Check the siphon tube/siphon set connection and tighten or re-tape the connection with PTFE tape.
6. Check for external leaks at all connections. Tighten connections, if necessary.
7. Clean the valves and service the fluid section following the "Servicing the Fluid Section" procedure in the Maintenance section of this manual.
8. Reverse or replace the valve seats following the "Servicing the Fluid Section" procedure in the Maintenance section of this manual.

D. Fluid leakage at the upper end of the fluid section.

1. The upper packings are worn.
2. The piston rod is worn.

1. Repack the pump following the "Servicing the Fluid Section" procedure in the Maintenance section of this manual.
2. Replace the piston rod following the "Servicing the Fluid Section" procedure in the Maintenance section of this manual.

E. Excessive surge at the spray gun.

1. Wrong type of airless spray hose.
2. The spray tip worn or too large.
3. Excessive pressure.

1. Replace hose with a minimum of 50' of 1/4" grounded textile braid airless paint spray hose.
2. Replace the spray tip following the instructions in this manual.
3. Turn the DirectLink pressure control knob slowly clockwise to decrease pressure.

F. Poor spray pattern.

1. The spray tip is too large for the material being used.
2. Incorrect pressure setting.
3. Insufficient fluid delivery.
4. The material being sprayed is too viscous.

1. Replace the spray tip with a new or smaller spray tip following the instructions in this manual.
2. Adjust the DirectLink pressure control knob until the desired spray pattern is achieved.
3. Clean all screens and filters.
4. Add solvent to the material according to the manufacturer's recommendations.

G. The unit lacks power.

1. The pressure adjustment is too low.

1. Take to an authorized service center.

Notes

Consignes de sécurité important



Lire toutes ces consignes avant d'utiliser l'appareil. Garder ces consignes.



Indique une situation à risque, laquelle, si elle n'est pas évitée, peut entraîner des blessures graves, voire la mort.

Pour réduire les risques d'incendie ou d'explosion, de choc électrique et de blessure, vous devez lire et comprendre les directives figurant dans ce manuel. Familiarisez-vous avec les commandes et l'utilisation adéquate de l'équipement.



MISE EN GARDE : EXPLOSION OU INCENDIE

Les vapeurs inflammables, telles que les vapeurs de solvant et de peinture, dans une zone de travail peuvent s'enflammer ou exploser.

MESURES PRÉVENTIVES :

1. Servez-vous de l'équipement dans un endroit bien aéré. Faites circuler beaucoup d'air frais dans l'endroit afin d'éviter l'accumulation de vapeurs inflammables dans la zone de pulvérisation. Entrez le ensemble de la pompe dans un endroit bien aéré. Ne pulvérisez pas l'ensemble de la pompe.
2. Ne faites jamais le plein lorsque le moteur est en marche ou chaud. Éteignez le moteur et laissez-le refroidir. L'essence est inflammable. Elle peut s'enflammer ou exposer si on en renverse sur une surface chaude.
3. Éliminez toutes les sources d'inflammation, comme les veilleuses, les cigarettes, les lampes électriques portatives et les toiles de protection en plastique (risque d'arc statique).
4. Gardez la zone de travail exempte de débris, y compris des solvants, des chiffons et d'essence.
5. Ne branchez ou ne débranchez pas les cordons d'alimentation, ne mettez pas l'appareil en marche, n'allumez ou n'éteignez pas les lumières lorsque des vapeurs inflammables sont présentes.
6. Mettez à terre l'équipement et les objets conducteurs dans la zone de travail. Assurez-vous que la chaînette de mise à la terre est en place et touche le plancher.
7. Utilisez uniquement des tuyaux mis à la terre.
8. Tenez le pistolet de pulvérisation fermement contre le côté d'un seau mis à la terre lorsque vous pulvérisez dans le seau.
9. S'il y a production d'étincelles statiques ou si vous ressentez un choc, arrêtez le fonctionnement immédiatement.
10. Soyez au courant du contenu de la peinture et des solvants à pulvériser. Lisez toutes les fiches signalétiques (FS) et les étiquettes des récipients de peinture et de solvant. Suivez les consignes de sécurité du fabricant de peinture et du solvant.
11. N'utilisez pas de peinture ou de solvant contenant des hydrocarbures hydrogénés, comme du chlore, de l'eau de Javel, un agent anti-moisissure, du chlorure de méthylène et du trichloroéthane. Ils ne sont pas compatibles avec l'aluminium. Communiquez avec le fournisseur de revêtement au sujet de la compatibilité du produit avec l'aluminium.
12. Gardez un extincteur dans la zone de travail.



MISE EN GARDE : INJECTION CUTANÉE

Le jet de haute pression produit par cet appareil peut transpercer la peau et les tissus sous-jacents, causant des blessures graves pouvant entraîner l'amputation.

MESURES PRÉVENTIVES :

1. Ne dirigez pas le pistolet sur et ne pulvérisez pas les personnes ou les animaux.
2. N'approchez pas les mains ni d'autres parties du corps de la sortie du produit. Par exemple, ne tentez pas d'arrêter une fuite avec une partie du corps.
3. Utilisez toujours le protège-embout de la buse. Ne pulvérisez pas sans que le protège-embout de la buse ne soit installé.
4. Utilisez exclusivement un embout de buse spécifié par le fabricant.

5. Prenez garde quand vous nettoyez ou que vous changez les embouts de buse. Si l'embout se bouche pendant que vous pulvérisez, verrouillez TOUJOURS la détente du pistolet, arrêtez la pompe et libérez toute la pression avant de réparer ou de nettoyer l'embout ou le protecteur ou avant de changer d'embout. La pression n'est pas libérée par l'arrêt du moteur. La poignée du robinet-valve PRIME/SPRAY (AMORÇAGE/PULVÉRISATION) doit être placée sur PRIME pour libérer la pression. Consultez la PROCÉDURE DE LIBÉRATION DE PRESSION décrite dans le manuel de la pompe.

NOTA : Si nécessaire, desserrez le bouton de ensemble de support à pistolet, puis engager le verrou de détente.

6. Ne laissez pas l'appareil sous tension ou sous pression quand vous vous en éloignez. Quand vous n'utilisez pas l'appareil, éteignez-le et libérez la pression conformément aux instructions du fabricant.
7. La pulvérisation à haute pression peut injecter des toxines dans le corps et causer de graves blessures corporelles. Si une telle injection se produisait, consultez immédiatement un médecin.
8. Vérifiez les tuyaux et les pièces pour détecter des signes d'endommagement : une fuite peut injecter le produit dans la peau. Inspectez le tuyau avant chaque emploi. Changez tous les tuyaux ou pièces endommagés.
9. Ce système peut produire une pression de 3 000 PSI / 20,7 MPa. N'utilisez que les pièces de rechange ou les accessoires spécifiés par le fabricant et ayant une pression nominale minimum de 3 000 PSI. Ceci est valable pour les embouts de pulvérisation, les protecteurs de buse, les pistolets, les rallonges, les raccords et le tuyau.
10. Verrouillez toujours la détente quand vous ne pulvérisez pas. Vérifiez que le verrou de la détente fonctionne correctement.
11. Vérifiez que toutes les connexions sont bien serrées avant d'utiliser l'appareil.
12. Sachez comment arrêter l'appareil et le dépressuriser rapidement. Soyez bien familiarisé avec les commandes. La pression n'est pas libérée lorsque le moteur est arrêté. La poignée du robinet-valve PRIME/SPRAY doit être placée sur PRIME pour libérer la pression. Consultez la PROCÉDURE DE LIBÉRATION DE PRESSION décrite dans le manuel de la pompe.
13. Retirez toujours l'embout de pulvérisation avant de rincer ou de nettoyer le système.

REMARQUE À L'INTENTION DES MÉDECINS : Les injections cutanées sont des lésions traumatiques; il importe donc de les traiter sans délai. On NE DOIT PAS retarder ce traitement sous prétexte de vérifier la toxicité du produit en cause, celle-ci n'étant conséquente que dans le cas d'injection directe de certains produits dans le système sanguin. Il pourrait s'avérer nécessaire de consulter un plasticien ou un spécialiste en chirurgie reconstructive de la main.



MISE EN GARDE : GÉNÉRALITÉS

D'autres dangers peuvent entraîner des dommages matériels ou des blessures graves.

MESURES PRÉVENTIVES :

1. Portez toujours les gants, la protection oculaire, les vêtements et un respirateur ou masque appropriés quand vous peignez. Vapeurs dangereuses – Les peintures, solvants, insecticides et autres matières peuvent être dangereux s'ils sont inhalés ou entrent en contact avec le corps. Les vapeurs peuvent provoquer d'importantes nausées, une perte de connaissance ou un empoisonnement.
2. Munissez-vous d'une protection auditive. Le bruit émis par cet appareil peut dépasser les 85 dB(A).
3. Ne travaillez pas et ne pulvérisez pas près d'enfants. Éloignez toujours les enfants de l'équipement.
4. Ne travaillez pas avec les bras au-dessus de la tête ni sur un support instable. Appuyez-vous bien sur les deux pieds pour toujours conserver l'équilibre.
5. Soyez attentif et regardez ce que vous faites.

Consignes de sécurité important

6. N'utilisez pas l'appareil quand vous êtes fatigué ou sous l'influence de drogues ou d'alcool.
7. Ne faites pas de nœuds avec le tuyau et ne le tordez pas trop. Le tuyau à vide peut présenter des fuites suite à l'usure, les nœuds ou les mauvais traitements. Une fuite risque d'injecter du produit dans la peau.
8. N'exposez pas le tuyau à des températures ou des pressions supérieures à celles spécifiées par le fabricant.
9. N'utilisez pas le tuyau pour tirer ou soulever l'équipement.
10. Utilisez la plus basse pression possible pour rincer l'équipement.
11. Respectez tous les codes locaux, étatiques et nationaux qui régulent la ventilation, la prévention d'incendies et le fonctionnement.
12. Les normes de sécurité du gouvernement des États-Unis ont été adoptées dans la loi Occupational safety and Health Act (OSHA). Ces normes, en particulier la partie 1910 des Normes générales et la partie 1926 des Normes de construction, doivent être consultées.
13. Avant chaque emploi, vérifiez tous les tuyaux pour détecter d'éventuelles coupures, fuites, abrasion ou couvercle bombé. Vérifiez l'état ou le mouvement des accouplements. Changez immédiatement le tuyau si l'une de ces conditions est vérifiée. Ne réparez jamais un tuyau de peinture. Remplacez-le par un tuyau conducteur à haute pression.
14. Ne pulvérisez pas à l'extérieur par temps venteux.

IMPORTANT: Ne pas soulever par la poignée du chariot lors du chargement ou du déchargement.

Sécurité des moteurs à essence



Les produits chimiques contenus dans les vapeurs d'échappement de cet appareil sont reconnus par l'État de la Californie (États-Unis) comme étant cancérigènes. Ils peuvent également entraîner des anomalies congénitales ou d'autres dangers pour la santé.

- Les moteurs sont conçus pour fonctionner en toute sécurité et avec une fiabilité maximale s'ils sont utilisés conformément aux instructions. Veuillez lire et comprendre le manuel de l'utilisateur de Honda avant de faire fonctionner le moteur. Le non-respect de ces consignes peut entraîner des dommages matériels ou des blessures physiques graves.
- Pour éviter tout risque d'incendie et fournir une ventilation adéquate, placez le moteur à une distance minimale de 1 mètre (3 pieds) des immeubles et d'autres équipements pendant son fonctionnement. Ne placez pas d'objets inflammables à côté du moteur.
- Tenez les enfants et les animaux domestiques à l'écart de la zone de travail; vous éviterez ainsi tout risque de brûlures sur les pièces chaudes du moteur et de blessures entraînées par les accessoires utilisés par le moteur pour son fonctionnement.
- Sachez comment arrêter rapidement le moteur, et assurez-vous que vous avez bien compris le fonctionnement de toutes les commandes. Ne permettez jamais à une personne de faire fonctionner le moteur sans connaître les instructions nécessaires.
- L'essence est extrêmement inflammable et explosive dans certaines conditions.
- Remplissez le réservoir de carburant dans une zone bien ventilée, moteur arrêté. Ne fumez pas et évitez toutes flammes ou étincelles dans la zone de remplissage de carburant ou dans une zone de stockage du carburant.
- Veillez à ne pas faire déborder le réservoir de carburant. Après remplissage, assurez-vous que le bouchon du réservoir est solidement vissé.
- Faites attention à ne pas renverser de carburant lors du remplissage du réservoir. Les vapeurs ou les éclaboussures de carburant peuvent s'enflammer. En cas d'éclaboussures, assurez-vous que la zone est bien sèche avant de faire démarrer le moteur.
- Ne faites jamais fonctionner le moteur dans un endroit fermé ou confiné. Les fumées d'échappement contiennent du

monoxyde de carbone qui est un gaz toxique; une exposition prolongée peut entraîner une perte de conscience et peut s'avérer mortelle.

- Le silencieux devient très chaud pendant le fonctionnement et reste chaud quelque temps après l'arrêt du moteur. Faites attention à ne pas toucher le silencieux tant qu'il est chaud. Pour éviter des brûlures graves ou des risques d'incendie, laissez le moteur refroidir avant de le transporter ou de le ranger à l'intérieur.
- Ne transportez jamais le moteur si le réservoir est plein.

Spécifications

Débit (GPM)	0,33 (1,25 LPM)
Embout, dimension maximale	0,019" — Marquage de la circulation
	0,023" — Marquage du champ
Pression maximale	3 000 PSI (20,7 MPa)
Source de puissance	Moteur à essence quatre-temps de 37,7 cm
Volume maximal d'essence	0,65 l
Poids	29,5 kg
Filtre de entrée	10 mailles « crépine »
Raccord de flexible	1/4" NPS(M)
Largeur de la ligne	2"-12" (5-30 cm)
Dimensions	41" L (104 cm) x 21" W (53,3 cm) x 32" H (81,3 cm)

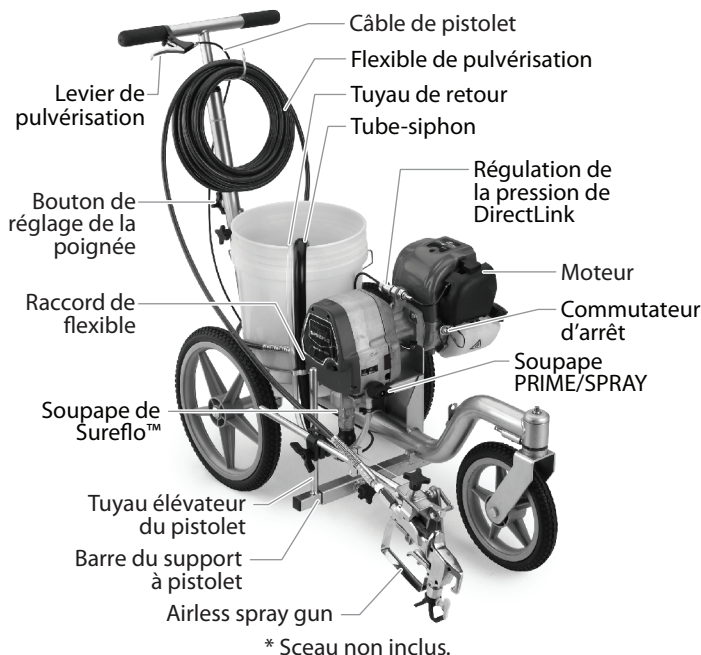
Table des matières

Consignes de sécurité	16
Spécifications	17
Description générale	18
Fonctionnement	18
Remplissage de carburant	18
Commandes de l'opérateur	18
Vérifications préliminaires	19
Préparation avant de peindre	20
Peinture	20
Procédure de décompression	22
Débouche de la buse de pulvérisation	22
Changement d'une buse	22
Méthode du pochoir	22
Fonctionnement de la roue avant pivotante	22
Nettoyage	23
Nettoyage spécial	23
Nettoyage/remplacer du filtre du pistolet	24
Nettoyage de soupape de Sureflo™	24
Maintenance	24
Généralités concernant la maintenance	24
Régler la tension de la détente	24
Entretien du moteur	25
Commutateur d'arrêt de sécurité	25
Remplacement de la soupape PRIME/SPRAY	25
Maintenance de la section des liquides	26
Dépannage	28
Liste de pièces	44
Vue d'ensemble	44
Boîte d'engrenages	46
Ensemble de chariot	48
Ensemble de support à pistolet	50
Pistolet et ses composants	51
Schéma de raccordement électrique	52
Étiquettes	52
Accessoires	53
Enregistrement du produit	54
Garantie	54

Description générale

Cet appareil à peindre les lignes sans air est un outil mécanique de précision utilisé pour pulvériser toutes sortes de matériaux pour différentes applications telles que les parcs de stationnement, les bordures de trottoir et les terrains de sport. Lire et suivre ce manuel d'instructions attentivement afin de connaître la notice d'utilisation, la maintenance et les consignes de sécurité de l'appareil.

IMPORTANT : Afin d'éviter les éclaboussures, assurez-vous que le sceau est couvert lorsque l'appareil est en mouvement.



Fonctionnement

Remplissage de carburant (moteur à carburant)



L'essence est extrêmement inflammable et explosive dans certaines conditions.

- Éteignez TOUJOURS le moteur avant de remplir le réservoir.
- Remplissez le réservoir de carburant dans un endroit bien aéré.
- Ne fumez pas et évitez toutes flammes ou étincelles dans la zone de remplissage de carburant ou dans une zone de stockage du carburant.
- Veillez à ne pas faire déborder le réservoir de carburant. Après remplissage, assurez-vous que le bouchon du réservoir est solidement vissé.
- Faites attention à ne pas renverser de carburant lors du remplissage du réservoir. Les vapeurs ou les éclaboussures de carburant peuvent s'enflammer. En cas d'éclaboussures, assurez-vous que la zone est bien sèche avant de faire démarrer le moteur.
- Évitez l'inhalation répétée ou prolongée de brume ou de vapeur et tout contact avec la peau.
- Tenez à l'écart des enfants.

Spécifications de carburant

- Utilisez du carburant automobile avec un indice d'octane à la pompe de 86 ou plus, ou avec un indice d'octane recherche de 91 ou plus. L'utilisation d'un carburant avec un indice d'octane inférieur peut provoquer des « cliquetis » ou des « détonations » fortes (martèlement métallique) qui peuvent à leur tour endommager le moteur.

NOTA : En cas de « détonations » ou de « cliquetis » sur un moteur à vitesse faible et normalement chargé, changez de marque de carburant. Si le cliquetis ou les détonations persistent, consultez le concessionnaire agréé du fabricant du moteur. Le non-respect de cette consigne est considéré comme une utilisation incorrecte et les dommages subis en cas d'utilisation incorrecte ne sont pas couvertes par la garantie limitée du fabricant du moteur.

Vous pouvez à l'occasion observer de faibles détonations lorsque la pompe travaille avec des charges très importantes. Cela est normal, il signifie simplement que votre moteur fonctionne de manière efficace.

- Le carburant sans plomb produit moins de dépôts et accroît la durée de vie des pièces du circuit d'échappement.
- N'utilisez jamais de carburant altéré, contaminé ou de mélange huile/essence. Évitez l'accumulation de poussière, de saleté ou la pénétration d'eau dans le réservoir.

Essences qui contiennent de l'alcool

Si vous décidez d'utiliser une essence qui contient de l'alcool (essence-alcool), assurez-vous que l'indice d'octane est au moins aussi élevé que celui recommandé par le fabricant du moteur. Il existe deux types « d'essence-alcool » : l'un contient de l'éthanol et l'autre du méthanol. N'utilisez pas d'essence-alcool contenant plus de 10 % d'éthanol. N'utilisez jamais d'essence au méthanol (alcool méthylique ou alcool de bois) si elle ne contient pas également des cosolvants et des inhibiteurs de corrosion pour le méthanol. N'utilisez pas d'essence contenant plus de 5 % de méthanol, même en présence de cosolvants et d'inhibiteurs de corrosion.

NOTA : L'endommagement du circuit d'alimentation ou des problèmes liés au rendement du moteur attribuables à l'utilisation de carburants contenant de l'alcool ne sont pas couverts par la garantie. Le fabricant du moteur ne peut être tenu responsable de l'utilisation de carburants au méthanol compte tenu que les essais de convenance sont incomplets en ce moment.

Avant d'acheter de l'essence dans une station-service autre que celle que vous utilisez habituellement, renseignez-vous pour savoir si l'essence contient de l'alcool. Si tel est le cas, vérifiez le type et le pourcentage d'alcool utilisé. Si vous observez un fonctionnement anormal lorsque vous utilisez de l'essence contenant de l'alcool, ou dont vous pensez qu'elle contient de l'alcool, remplacez-la par de l'essence sans alcool.

Commandes de l'opérateur

La section suivante décrit les commandes de l'opérateur sur le pistolet de pulvérisation et l'appareil à peindre les lignes.

Verrou de détente

Engager le verrou de détente à la fin de chaque utilisation du pistolet.

Le pistolet est bloqué quand le verrou forme un angle de 90° (perpendiculaire) avec la détente dans l'une ou l'autre des directions.



NOTA : Si nécessaire, desserrez le bouton de ensemble de support à pistolet, puis engager le verrou de détente. Déplacez le pistolet à la position initiale et serrez le bouton de la ensemble de support à pistolet.

Levier de pulvérisation

Le levier de pulvérisation se trouve sur la poignée du chariot. Le levier de pulvérisation contrôle la détente du pulvérisateur.

Le fait de tirer entièrement le levier de pulvérisation déclenche le pulvérisateur.

Pendant le marquage, le levier de pulvérisation devrait être entièrement tiré pour un fonctionnement convenable.

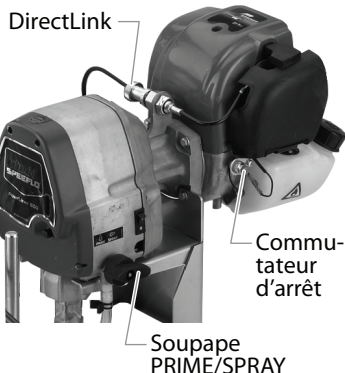
Levier de pulvérisation



DirectLink™

La pression de vaporisation est déterminée par l'étrangleur du moteur.

L'étrangleur est contrôlé en réglant le bouton de régulation de la pression de DirectLink. Plus l'étrangleur est élevé, plus la pression de vaporisation est élevée.



Soupape PRIME/SPRAY

Le soupape PRIME/SPRAY dirige le fluide vers le tube de retour lorsqu'il est réglé à PRIME, ou vers le tuyau de pulvérisation lorsque qu'il est réglé à SPRAY.

Les flèches sur le soupape PRIME/SPRAY indiquent le sens de rotation vers les positions PRIME et SPRAY.

Commutateur d'arrêt

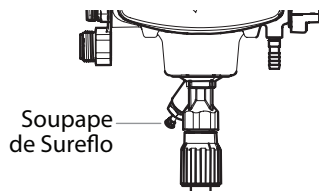
Le commutateur d'arrêt du moteur arrêtera le moteur lorsqu'il est en marche.

Appuyer et tenir le commutateur d'arrêt afin d'arrêter le moteur.

Soupape de Sureflo™

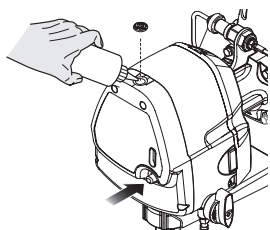
Le soupape de Sureflo™ est conçu pour maintenir le soupape d'entrée ouvert et l'empêcher de coller en présence d'une substance sèche.

Le soupape de Sureflo™ est activée manuellement par l'utilisateur.



AutoOiler™

L'AutoOiler est conçu pour fournir de la lubrification à la section des liquides de la pompe. Après le montage initial, appuyer sur le bouton de l'AutoOiler deux ou trois fois avant chaque utilisation.



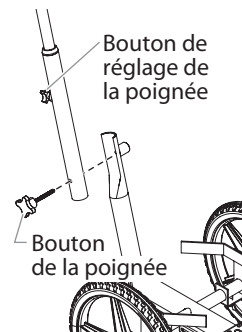
Vérifications préliminaires

Procédures à suivre avant de démarrer le moteur à essence de l'appareil à peindre des lignes.



Cet appareil produit un jet à très haute pression; avant de le faire fonctionner, il est donc essentiel de lire et de comprendre les avertissements formulés dans la section Consignes de sécurité à l'avant de ce manuel.

1. Fixer la poignée au chariot.
 - a. Aligner le trou au bas de la poignée avec l'assemblage soudé du support sur le chariot.
 - b. Visser le boulon dans le trou de la poignée et de l'assemblage soudé. Resserrer en tournant le bouton du boulon dans le sens horaire.
 - c. Placer la poignée à la hauteur désirée. Desserrer le bouton à l'arrière de l'assemblage soudé du support afin de desserrer la poignée.
 - d. Monter ou descendre la poignée à la hauteur désirée. Resserrer le bouton de la poignée afin de fixer la poignée.
2. Vérifier que le tuyau-siphon et le tuyau de retour sont bien attachés.
3. À l'aide d'une clé plate, attacher du flexible de pulvérisation sans air au raccord de flexible sur le pulvérisateur. Resserrer à fond.
4. Attacher un pistolet pulvérisateur sans air au flexible de pulvérisation. À l'aide de deux clés plates (une sur le pistolet et l'autre sur le flexible), resserrer à fond.



NOTA : Le pistolet de pulvérisation et les câbles sont fixés à la barre du support à pistolet à l'usine.

NOTA : Ne pas encore fixer le buse sur le pistolet de vaporisation. Démontez le buse s'il est déjà fixé.

5. Mettre en place le pistolet pulvérisateur.
 - a. Desserrer le bouton de la barre du support et glisser la barre du support à pistolet à la position horizontale désirée. S'assurer que le pistolet est assez éloigné du chariot afin que la roue arrière ne passe pas sur la répartition de pulvérisation fraîche.
 - b. Desserrer la bride du tuyau élévateur du pistolet et glisser le pistolet de pulvérisation à la position verticale désirée. Une distance de 6 po de la buse à la surface à pulvériser est un bon point de départ.

Bride du tuyau élévateur du pistolet
Bouton de la barre du support



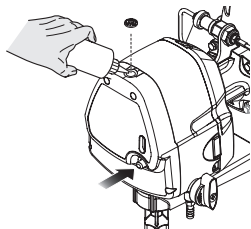
NOTA : La hauteur du pistolet pulvérisateur modifie la largeur du jet (c'est-à-dire, plus le pistolet est bas, plus la ligne sera étroite). La grosseur de la buse modifie également la largeur de la ligne.

6. S'assurer que le câble de pistolet fonctionne correctement. Lorsqu'on tire le levier de pulvérisation sur la poignée du chariot, le câble de pistolet devrait tirer la détente. Ce câble est réglé en usine pour fonctionner correctement. S'il faut régler la tension de la détente du pistolet, consulter la procédure pour « Régler la tension de la détente » dans la section Maintenance du présent manuel.
7. Mettre la soupape PRIME /SPRAY à la position PRIME.

IMPORTANT : Ne jamais utiliser l'appareil plus de dix secondes s'il n'y a pas de liquide. L'utilisation de l'appareil sans liquide peut user prématurément les garnitures.



8. Enlevez le bouchon de AutoOiler à l'aide d'un tournevis à tête plate. Remplissez le AutoOiler de Piston Lube fournie avec votre pulvérisateur. Remplacez le bouchon.
9. Poussez 2-5 fois sur le bouton situé sur la plaque avant pour lubrifier la section du fluide.
10. Vérifier le niveau d'huile du moteur. Le niveau d'huile du moteur à essence est déterminé par le fabricant. Se reporter au manuel du fabricant du moteur (fourni).
11. Remplir le réservoir à essence du moteur d'essence sans plomb seulement. Ne pas mélanger l'essence à de l'huile deux-temps.



Préparation avant de peindre

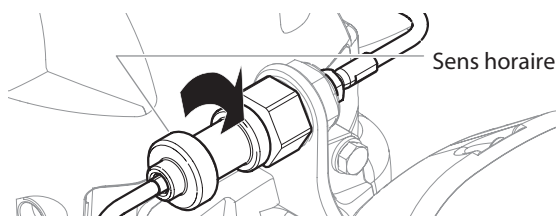
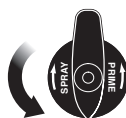
Avant de peindre, il est important de s'assurer que le liquide dans l'appareil est compatible avec le produit à utiliser.

NOTA : Si cet appareil est neuf, il contient encore un liquide d'essai mis en usine pour le protéger de la corrosion en cours d'expédition ou d'entreposage. Ce liquide doit être complètement éliminé au moyen d'essence minérale avant que l'appareil puisse être utilisé.

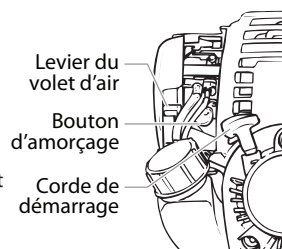
L'incompatibilité liquide/produit peut provoquer le blocage des soupapes, ce qui entraînerait le besoin de démonter et de nettoyer la section des liquides du vaporisateur.

IMPORTANT : La détente du pistolet doit toujours être verrouillée lorsqu'on procède à ces vérifications préliminaires.

1. Placer le tube-siphon dans un contenant rempli du solvant approprié au matériel à pulvériser (se reporter aux recommandations du fabricant du matériel). Par exemple, l'eau est un solvant approprié pour la peinture au latex.
2. Placer le tuyau de retour dans un contenant de vidange en métal.
3. Mettre la soupape PRIME/SPRAY à la position PRIME.
4. Insérer complètement la soupape de Sureflo.
5. Tourner le bouton de régulation de la pression de DirectLink complètement dans le sens horaire au minimum.



6. Démarrez le moteur :
 - a. Déplacez le levier du volet d'air jusqu'à la position d'étranglement maximum.
 - b. Enfoncez le bouton d'amorçage en caoutchouc de sept à dix fois.
 - c. Tirez la corde de démarrage rapidement et fermement. Continuez de tenir la corde pendant que vous la laissez retourner. Tirez et retournez la corde jusqu'à ce que le moteur démarre.
 - d. Une fois que le moteur est en marche, déplacez lentement le levier du volet d'air à la position fermée.



NOTA : Si vous avez de la difficulté à démarrer le moteur, tourner le bouton de régulation de la pression de DirectLink 1-2 tours dans le sens antihoraire.

7. Tournez lentement le bouton de régulation de la pression de DirectLink dans le sens antihoraire en vue d'augmenter la pression jusqu'à ce que le liquide commence à sortir du tuyau de retour. Utiliser une pression suffisante pour que le liquide continue à jaillir.
8. Laisser le pulvérisateur en marche pendant 15 à 30 secondes pour purger le solvant usé à travers le tuyau de retour dans le contenant de vidange.
9. Tourner le bouton de régulation de la pression de Direct-Link complètement dans le sens horaire au minimum.
10. Arrêter le pulvérisateur en appuyant et en tenant le commutateur d'arrêt du moteur jusqu'à ce que ce dernier s'arrête.

NOTA : S'assurer que le buse ou le protège-embout ne soient pas installés.

11. Placer un contenant de vidange en métal sous le pistolet de pulvérisation pour récupérer le solvant.
12. Démarrez le moteur.
13. Mettre la soupape PRIME/SPRAY à la position SPRAY.
14. Tourner lentement le bouton de régulation de la pression de DirectLink dans le sens antihoraire afin d'augmenter la pression.
15. Déverrouiller le pistolet en plaçant le verrou de la détente dans la position de déverrouillage.
16. Tirer entièrement le levier de pulvérisation sur la poignée du chariot pour déclencher le pulvérisateur. Du liquide commencera à couler à travers le tuyau de pulvérisation et sortira du pistolet.
17. Continuer de tirer le levier de pulvérisation sur la poignée du chariot jusqu'à ce que l'ancien solvant/liquide d'essai soit parti et le solvant frais sort du pistolet.
18. Libérer le levier de pulvérisation.
19. Verrouiller le pistolet en tournant le verrou de la détente dans la position de verrouillage. Si nécessaire, desserrez le bouton de support à pistolet, puis engager le verrou de détente. Déplacez le pistolet à la position initiale et serrez le bouton de la ensemble de support à pistolet.
20. Vérifier l'absence de fuite sur l'ensemble de l'appareil. En cas de fuite, arrêter le pulvérisateur et suivre la procédure de décompression de ce manuel avant de visser tous les raccords ou les tuyaux.
21. Suivre la procédure de décompression de ce manuel avant de passer du solvant à la peinture.



On doit effectuer la procédure de décompression chaque fois qu'on arrête l'appareil pour en faire la maintenance, en changer les réglages de vaporisation, en remplacer/ nettoyer les embouts ou en effectuer la préparation en vue d'un nettoyage.

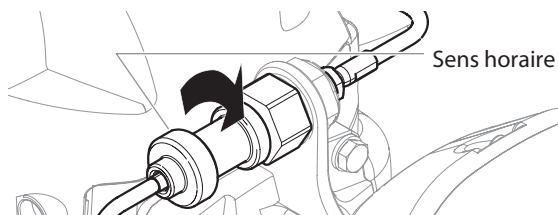
Peinture

1. Placer un seau de cinq gallons de peinture entre les supports à seau sur le chariot. S'assurer que les supports à seau tiennent solidement le seau de cinq gallons. Régler les supports à seau à l'aide de la vis à oreilles située sous chaque support, au besoin.

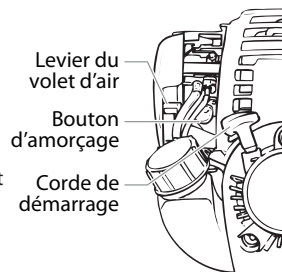
NOTA : Lorsqu'on travaille avec cet appareil à peindre les lignes pour la première fois, il peut être utile d'utiliser de l'eau au lieu de la peinture pour se familiariser avec le fonctionnement de l'appareil à peindre les lignes. Après le remplacement de l'eau par la peinture, pulvériser plusieurs lignes d'essai sur du carton, du feutre pour toiture ou du papier colophane avant de peindre des lignes afin de s'assurer de la bonne largeur des lignes.

2. Placer le tube-siphon dans un contenant de peinture.
3. Placer le tuyau de retour dans un contenant de vidange en métal.

4. Mettre la soupape PRIME/SPRAY à la position PRIME.
5. Insérer complètement la soupape de Sureflo.
6. Tourner le bouton de régulation de la pression de DirectLink complètement dans le sens horaire au minimum.



7. Démarrez le moteur :
 - a. Déplacez le levier du volet d'air jusqu'à la position d'étranglement maximum.
 - b. Enfoncez le bouton d'amorçage en caoutchouc de sept à dix fois.
 - c. Tirez la corde de démarrage rapidement et fermement. Continuez de tenir la corde pendant que vous la laissez retourner. Tirez et retournez la corde jusqu'à ce que le moteur démarre.
 - d. Une fois que le moteur est en marche, déplacez lentement le levier du volet d'air à la position fermée.
8. Tournez lentement le bouton de régulation de la pression de DirectLink dans le sens antihoraire en vue d'augmenter la pression jusqu'à ce que le liquide commence à sortir du tuyau de retour. Utiliser une pression suffisante pour que le liquide continue à jaillir.
9. Laisser le pulvérisateur en marche pendant 15 à 30 secondes pour purger le solvant usé à travers le tuyau de retour dans le contenant de vidange.
10. Tourner le bouton de régulation de la pression de DirectLink complètement dans le sens horaire au minimum.
11. Arrêter le pulvérisateur en appuyant et en tenant le commutateur d'arrêt du moteur jusqu'à ce que ce dernier s'arrête.
12. Retirer le tuyau de retour du contenant de vidange et le placer dans sa position de fonctionnement, au-dessus du contenant de peinture.
13. Démarrez le moteur.
14. Mettre la soupape PRIME/SPRAY à la position SPRAY.
15. Déverrouiller le pistolet en plaçant le verrou de la détente dans la position de déverrouillage.
16. Tourner lentement le bouton de régulation de la pression de DirectLink dans le sens antihoraire afin d'augmenter la pression.
17. Tirer entièrement le levier de pulvérisation sur la poignée du chariot pour déclencher le pulvérisateur. Du liquide commencera à couler à travers le tuyau de pulvérisation et sortira du pistolet.
18. Continuer de tirer le levier de pulvérisation sur la poignée du chariot jusqu'à ce que l'ancien solvant/liquide d'essai soit parti et le solvant frais sort du pistolet.
19. Libérer le levier de pulvérisation.
20. Verrouiller le pistolet en tournant le verrou de la détente dans la position de verrouillage. Si nécessaire, desserrez le bouton de support à pistolet, puis engager le verrou de détente. Déplacez le pistolet à la position initiale et serrez le bouton de support à pistolet.
21. Tourner le bouton de régulation de la pression de Direct-Link complètement dans le sens horaire au minimum.
22. Mettre la soupape PRIME/SPRAY à la position PRIME.



23. Arrêter le pulvérisateur en appuyant et en tenant le commutateur d'arrêt du moteur jusqu'à ce que ce dernier s'arrête.
24. Fixer le protège-embout et la buse au pistolet à pulvérisation. Se référer aux instructions plus loin dans cette section.



RISQUES D'INJECTION. Ne pas vaporiser sans avoir installé le protège-embout. Ne jamais appuyer sur la détente sans avoir mis la buse en position de vaporisation ou de désobstruction. Toujours enclencher le verrou de détente avant de retirer, de remplacer ou de nettoyer la buse.

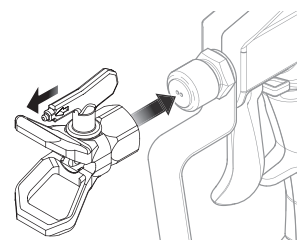
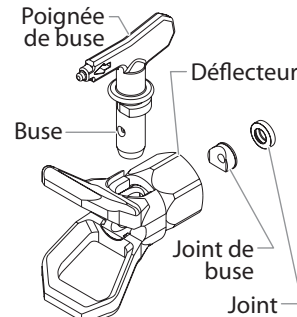
25. Démarrez le moteur.
26. Mettre la soupape PRIME/SPRAY à la position SPRAY.
27. Tirer entièrement le levier de pulvérisation sur la poignée du chariot pour déclencher le pulvérisateur. Vérifier la forme du jet et la position de la ligne sur un long morceau de feutre pour toiture ou sur du carton. Vérifier la largeur et la position de la ligne. Pour régler la position du pistolet pulvérisateur, se reporter à la procédure « Vérifications préliminaires » de cette section.
28. S'assurer que le pistolet pulvérisateur est complètement fermé lorsque la détente du pistolet est relâchée. S'il faut régler la tension de la détente du pistolet, consulter la procédure pour « Régler la tension de la détente » dans la section Maintenance du présent manuel.
29. Commencer à peindre les lignes.
 - a. Positionner l'appareil à peindre les lignes juste en avant de la ligne à peindre.
 - b. Commencer à marcher avec l'appareil à peindre les lignes et appuyer sur la détente au début de la ligne à peindre.
 - c. À la fin de la ligne à peindre, relâcher la détente et continuer de marcher une courte distance, si possible.

NOTA : Appuyer sur la détente du pistolet après que l'appareil à peindre les lignes est en mouvement et relâcher la détente avant que l'appareil à peindre les lignes s'arrête produit une ligne peinte de manière uniforme du début à la fin. Si la ligne à peindre se termine à un obstacle, relâcher la détente au moment où s'arrête l'appareil à peindre les lignes.

Fixer le protège-embout et la buse

Utiliser la procédure suivante pour installer le protège-embout et la buse sur le pistolet de pulvérisation.

1. Suivez la « Procédure de décompression » décrite dans le manuel du propriétaire du pulvérisateur.
2. À l'aide la poignée de la buse, insérez le joint de buse et le joint dans l'arrière du déflecteur. Enfoncez-les pour l'ajustement final.
3. Insérez la buse dans la fente du déflecteur.
4. Vissez le déflecteur sur le pistolet. Positionnez le déflecteur dans la position de pulvérisation désirée, serrez ensuite solidement à la main.



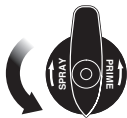
NOTA : La flèche sur la poignée devrait pointer vers l'avant pour la pulvérisation.

Procédure de décompression



On doit effectuer la procédure de décompression chaque fois qu'on arrête l'appareil pour en faire la maintenance, en changer les réglages de vaporisation, en remplacer/ nettoyer les embouts ou en effectuer la préparation en vue d'un nettoyage.

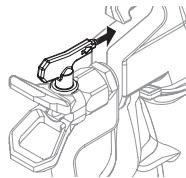
1. Verrouiller le pistolet en tournant le verrou de la détente dans la position de verrouillage. Si nécessaire, desserrez le bouton de ensemble de support à pistolet, puis engager le verrou de détente. Déplacez le pistolet à la position initiale et serrez le bouton de la ensemble de support à pistolet.
2. Tourner le bouton de régulation de la pression de Direct-Link complètement dans le sens horaire au minimum.
3. Mettre la soupape PRIME/SPRAY à la position PRIME.
4. Arrêter le pulvérisateur en appuyant et en tenant le commutateur d'arrêt du moteur jusqu'à ce que ce dernier s'arrête.
5. Déverrouiller le pistolet en plaçant le verrou de la détente dans la position de déverrouillage.
6. Tirer complètement le levier de pulvérisation sur la poignée du chariot pour tirer sur la détente du pistolet pulvérisateur et libérer la pression restante dans le tuyau.
7. Verrouiller le pistolet en tournant le verrou de la détente dans la position de verrouillage. Si nécessaire, desserrez le bouton de ensemble de support à pistolet, puis engager le verrou de détente. Déplacez le pistolet à la position initiale et serrez le bouton de la ensemble de support à pistolet.



Débouche de la buse de pulvérisation

Si la forme du jet de pulvérisation est déformée ou arrêtée complètement lorsqu'on déclenche le pistolet, prendre les mesures suivantes.

1. Placer une feuille de carton ou un petit sceau sous le pistolet de pulvérisation pour récupérer la peinture.
2. Tournez la buse de 180° afin que la flèche sur la poignée pointe dans la direction contraire de la pulvérisation.



NOTA : S'il est difficile de tourner la buse de pulvérisation, diminuez la pression 1) en tournant lentement le soupape prime/spray à prime, 2) en débloquant le pistolet pulvérisateur et 3) en appuyant sur la détente tout en pointant vers des débris/ morceaux de carton. Relâchez la détente, bloquez le pistolet pulvérisateur, et faites tourner la buse de pulvérisation de nouveau.

3. Assurez-vous que le soupape PRIME/SPRAY est à SPRAY. Déverrouillez le pistolet de pulvérisation.
4. Appuyez une fois sur la détente afin que la pression puisse déboucher le pistolet.

IMPORTANT : Ne jamais appuyer plus d'une fois sur la détente avec la buse dans la position renversée.

5. Répétez ces étapes jusqu'à ce que la buse soit débloquée.



Ne pas tenter de débloquer ou de nettoyer la buse avec le doigt.

Ne pas utiliser une aiguille ou un objet pointu pour nettoyer la buse. Le carbure de tungstène pourrait s'écailler.

Changement d'une buse

On peut facilement retirer et remplacer les buses sans démonter le pistolet.

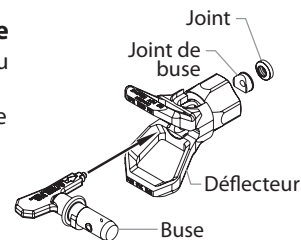


Ne jamais tenter de changer ou de nettoyer la buse ou le déflecteur sans d'abord suivre la « procédure de décompression ».

1. Suivez la « procédure de décompression » décrite dans le manuel du propriétaire du pulvérisateur.
2. Retirez la buse de la fente sur le déflecteur.
3. Insérez la nouvelle buse dans la fente sur le déflecteur. La flèche sur la poignée devrait pointer vers l'avant pour la pulvérisation.

Retrait du joint et du joint de buse

1. Retirez le déflecteur et la buse du pistolet.
2. Introduisez la poignée de la buse à l'avant du déflecteur.
3. Retirez le joint de buse et sa joint de buse en les poussant (pression transmise par l'arrière du protégé-buse).



Détermination des dimensions du buse

Pour déterminer les dimensions du buse, utilisez la formule suivante. Une dimension de buse « 1908 » sera utilisée dans cet exemple.

Les deux derniers chiffres divisés par deux représentent les dimensions de la forme de pulvérisation lors de la pulvérisation à 6 po de la surface de travail :

$$08 \div 2 = \text{forme de pulvérisation de 4 po}$$

Les premiers deux chiffres représentent le diamètre de l'orifice de la buse.

$$19 = \text{orifice de 0,019 po}$$

NOTA : Les buses usées auront une incidence négative sur la répartition de pulvérisation et entraîneront une réduction de la production, un mauvais fini et une perte de peinture. Remplacez immédiatement les buses usées.

Méthode du pochoir

Afin d'utiliser cet appareil à peindre les lignes pour marquer un pochoir, passer plusieurs fois sur le pochoir de droite à gauche avec le pulvérisateur branché au support à pistolet. Ou encore, le pulvérisateur peut être retiré et utilisé indépendamment de l'appareil à peindre les lignes.

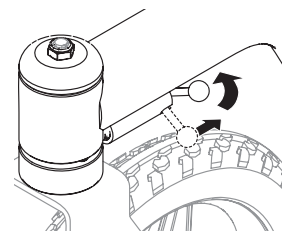
Pour retirer le pulvérisateur :

1. Suivre la procédure de décompression dans la rubrique « Fonctionnement » du présent manuel.
2. Desserrer la poignée de serrage du support à pistolet sur le haut du support à pistolet.
3. Glisser le pulvérisateur hors du support à pistolet.

Fonctionnement de la roue avant pivotante

La roue avant pivotante du chariot permet de pulvériser tant des lignes droites que d'autres formes de ligne. Afin de régler la roue avant pivotante :

1. Tirer la poignée du côté de la roue pivotante vers le haut et vers l'arrière pour libérer la roue en vue de peindre d'autres formes de ligne.
2. Pour verrouiller la roue, tirer la poignée vers le bas. Une fois que la roue avant est à nouveau droite, la roue se verrouillera en place.



Nettoyage



Directives particulières pour le nettoyage au moyen de solvants inflammables :

- Purger le pistolet à l'extérieur de préférence, à une distance d'au moins une longueur de flexible de la pompe.
- Si le solvant usé est recueilli dans un contenant métallique de 4 litres (1 gallon), celui-ci doit être inséré dans un second contenant d'au moins 20 litres (5 gallons).
- L'endroit choisi doit être exempt de vapeurs inflammables.
- On doit suivre les directives de nettoyage à la lettre.

IMPORTANT : Le vaporisateur, le flexible et le pistolet doivent être nettoyés en profondeur après chaque journée d'utilisation et ce, afin d'éviter les accumulations de produit susceptibles de nuire grandement au rendement de l'appareil.



Lorsqu'on se sert d'essence minérale ou d'autres solvants pour nettoyer le vaporisateur, le flexible ou le pistolet, on doit régler la pression au minimum et retirer le buse de la buse du pistolet. L'accumulation d'électricité statique risque de provoquer des incendies en présence de vapeurs inflammables.

1. Suivre la Procédure de décompression à la section Fonctionnement du présent manuel.
2. Retirer le buse et le protège-embout, et les nettoyer au moyen d'une brosse et du solvant approprié.
3. Placer le tube-siphon dans un contenant rempli du solvant approprié (se reporter aux recommandations du fabricant du matériel). Par exemple, l'eau est un solvant approprié pour la peinture au latex.
4. Mettre le flexible de retour dans un contenant de purge métallique.
5. Mettre la soupape PRIME/SPRAY à la position PRIME.
6. Démarrez le moteur.
7. Tournez lentement le bouton de régulation de la pression de DirectLink dans le sens antihoraire en vue d'augmenter la pression jusqu'à ce que le liquide commence à sortir du tuyau de retour. Utiliser une pression suffisante pour que le liquide continue à jaillir.
8. Laisser la peinture circuler dans le pulvérisateur et purger la peinture à travers le tuyau de retour, vers le contenant de vidange en métal.
9. Arrêter le pulvérisateur en appuyant et en tenant le commutateur d'arrêt du moteur jusqu'à ce que ce dernier s'arrête.
10. Placer un contenant de vidange en métal sous le pistolet de pulvérisation pour récupérer la solution de nettoyage.
11. Démarrez le moteur.
12. Mettre la soupape PRIME/SPRAY à la position SPRAY.
13. Tourner lentement le bouton de régulation de la pression de DirectLink dans le sens antihoraire afin d'augmenter la pression.
14. Tirer entièrement le levier de pulvérisation sur la poignée du chariot pour déclencher le pulvérisateur. Du liquide commencera à couler à travers le tuyau de pulvérisation et sortira du pistolet.
15. Continuer de tirer le levier de pulvérisation sur la poignée du chariot jusqu'à ce que la peinture soit purgée du tuyau et que l'eau s'écoulant du pistolet soit claire.
16. Libérer le levier de pulvérisation.



NOTA : Pour l'entreposage à long terme en milieu froid, remplir tous les composants de l'appareil de Pump Saver™.

17. Suivre la Procédure de décompression à la section Fonctionnement du présent manuel.
18. Débrancher l'appareil et le ranger dans un endroit propre et sec.

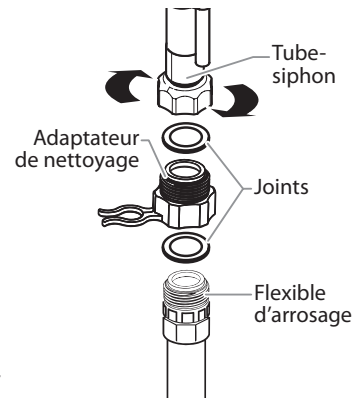
IMPORTANT : Ne pas ranger l'appareil sous pression.

Nettoyage spécial

IMPORTANT : Procédures à suivre après la pulvérisation aux peintures à l'eau seulement.

Procédures à suivre lorsque les soupapes du pistolet sont coincées ou lorsqu'on prépare le pistolet pour l'entreposage à long terme. L'utilisation d'un adaptateur de nettoyage de pompe qui s'attache au bas du tube-siphon est requise (l'adaptateur de nettoyage de pompe est inclus avec le pistolet).

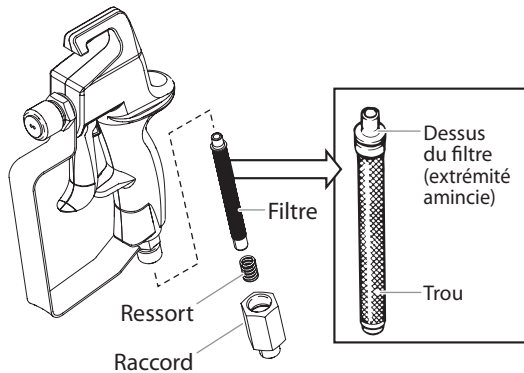
1. Verrouiller le pistolet et retirer la buse. Si nécessaire, desserrer le bouton de ensemble de support à pistolet, puis engager le verrou de détente. Déplacez le pistolet à la position initiale et serrez le bouton de la ensemble de support à pistolet. Placer le tube d'aspiration et le tube de retour dans un récipient à déchets vide.
2. À l'aide d'un boyau d'arrosage, rincer le tube-siphon, le tube de retour et le filtre d'entrée. Vider le récipient à déchets.
3. Retirer le filtre d'entrée du tube d'aspiration et le placer dans un récipient à déchets.
4. Vérifier que les joints d'étanchéité se trouvent dans l'adaptateur et dans le tube d'aspiration. Visser l'adaptateur de nettoyage de pompe sur un boyau d'arrosage. Brancher le tuyau et l'adaptateur au raccord au bout du tube-siphon.
5. Dégrafer le tube de retour du tube-siphon et le placer dans le récipient à déchets.
6. Mettre la soupape PRIME/SPRAY à la position PRIME.
7. Ouvrir l'alimentation en eau.
8. Démarrer le moteur. L'eau entrera par le tube-siphon et sortira par le tuyau de retour. Laisser le pistolet en marche pendant quelques minutes afin de permettre le nettoyage du tuyau de retour.
9. Arrêter le pulvérisateur en appuyant et en tenant le commutateur d'arrêt du moteur jusqu'à ce que ce dernier s'arrête.
10. Placer un contenant de vidange en métal sous le pistolet de pulvérisation pour récupérer la solution de nettoyage.
11. Démarrez le moteur.
12. Mettre la soupape PRIME/SPRAY à la position SPRAY.
13. Tourner lentement le bouton de régulation de la pression de DirectLink dans le sens antihoraire afin d'augmenter la pression.
14. Tirer entièrement le levier de pulvérisation sur la poignée du chariot pour déclencher le pulvérisateur. Du liquide commencera à couler à travers le tuyau de pulvérisation et sortira du pistolet.
15. Continuer de tirer le levier de pulvérisation sur la poignée du chariot jusqu'à ce que la peinture soit purgée du tuyau et que l'eau s'écoulant du pistolet soit claire.
16. Libérer le levier de pulvérisation.
17. Suivre la Procédure de décompression à la section Fonctionnement du présent manuel.



Nettoyage/remplacer du filtre du pistolet

On doit nettoyer ce filtre chaque fois qu'on utilise le pulvérisateur (si le produit dont on se sert est plus épais, il pourrait s'avérer nécessaire de le nettoyer plus souvent).

1. Suivre la Procédure de décompression à la section Fonctionnement du présent manuel.
2. Dévisser le raccord de la partie inférieure du pistolet au moyen d'une clé à molette, en prenant soin de ne pas perdre les ressort.
3. Retirer le filtre du corps de pistolet ou de son logement et nettoyer le filtre au moyen de la solution nettoyante appropriée (p. ex., eau tiède savonneuse pour les produits au latex, essence minérale pour les produits à l'huile, etc.).
4. L'inspecter pour y déceler d'éventuels trous. Si les trous sont trouvés, remplace.



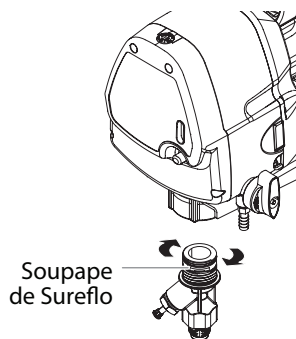
NOTA : Ne jamais piquer le filtre au moyen d'un instrument pointu.

5. Remettre le filtre nettoyé, extrémité amincie en premier, dans son logement ou le corps du pistolet. L'extrémité amincie du filtre doit être correctement insérée, à défaut de quoi le buse pourrait s'obstruer et le produit, cesser de s'écouler du pistolet.
6. Assembler la pistolet de pulvérisation.

Nettoyage de soupape de Sureflo™

En cas de difficulté d'amorçage de l'appareil, il peut être nécessaire de nettoyer ou de réparer le soupape de Sureflo.

1. Retirez le tube-siphon.
2. Dévissez le soupape de Sureflo du pulvérisateur. Inspectez visuellement l'intérieur et l'extérieur du soupape de Sureflo. Enlevez tout débris de peinture en nettoyant à l'aide de la solution appropriée.
3. Lubrifiez le soupape de Sureflo en appliquant une fine couche de gelée de pétrole. Remettez en place le soupape de Sureflo en le vissant sur le pulvérisateur.
4. Remettez le tube-siphon. Visser à la main.



NOTA : Si le problème d'amorçage persiste, vous pouvez devoir remplacer le soupape de Sureflo. Appelez le Service technique pour commander un nouveau soupape de Sureflo.

Maintenance



Avant de procéder, on doit suivre les directives de la section Procédure de décompression du présent manuel. On doit également respecter tous les autres avertissements si on veut éviter les blessures par injection, par contact avec une pièce mobile ou par choc électrique.

Généralités concernant la maintenance

Pour réparer ou entretenir le vaporisateur, on pourrait avoir à recourir aux outils suivants :

Tournevis plat	Tournevis à pointe hexalobée (Torx T20)
Pince à bec pointu	Clé à ouverture variable

1. Avant de procéder à la maintenance de n'importe quel composant du vaporisateur, il faut lire attentivement les directives ainsi que tous les avertissements qu'elles contiennent.

IMPORTANT : Ne jamais tirer sur le cordon pour le débrancher, ce qui pourrait détacher le connecteur des fils.

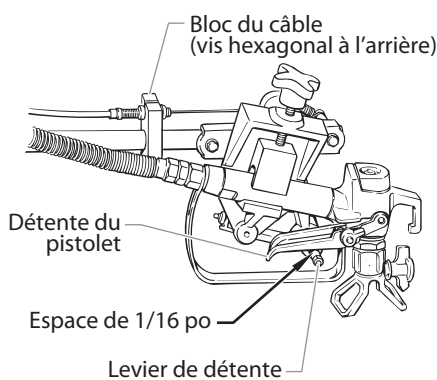
2. Vérifier les résultats de la maintenance effectuée avant d'utiliser le vaporisateur en conditions normales afin de s'assurer que le problème ait bel et bien été corrigé. Si le vaporisateur ne fonctionne toujours pas comme il faut, repasser la procédure pour s'assurer qu'elle ait été bien suivie. Se reporter ensuite à la section Dépannage pour cerner la source potentielle du problème.
3. S'assurer que l'endroit choisi soit bien ventilé si des solvants sont utilisés pour le nettoyage. Toujours porter des lunettes de protection lorsqu'on procède à la maintenance. D'autres dispositifs protecteurs pourraient être requis selon le type de solvant utilisé; on doit toujours communiquer avec le fabricant de ce dernier pour obtenir ses recommandations à cet effet.
4. Pour toute autre question relative à ce vaporisateur à dépression, il suffit de communiquer avec Titan :
Service à la clientèle (É.-U.) **1-800-526-5362**
Télécopieur **1-800-528-4826**

Régler la tension de la détente

Procédures à suivre pour régler le levier de tension à ressort de la détente sur le support à pistolet. Le levier de détente tire et relâche la détente du pistolet pulvérisateur lorsque la détente sur le chariot est utilisée. Le réglage de la tension permet de s'assurer que le pistolet se ferme lorsque la détente du pistolet est relâchée. Pour s'assurer du bon réglage de la tension, vérifier qu'il y a environ de 1/16 po d'espace entre le levier de détente et la détente du pistolet pulvérisateur.

IMPORTANT : La détente du pistolet doit toujours être verrouillée lorsque l'on procède au réglage du système. Si nécessaire, desserrez le bouton de ensemble de support à pistolet, puis engager le verrou de détente. Déplacez le pistolet à la position initiale et serrez le bouton de la ensemble de support à pistolet.

1. À l'aide d'une clé de 9/16 po, dévisser le vis hexagonal sur le bloc du câble.
2. Déplacer le bloc du câble dans la direction appropriée afin de créer un espace de 1/16 po entre le levier de détente et la détente du pistolet pulvérisateur.
 - a. Glisser le bloc de câble vers le pistolet pour augmenter l'espace entre le levier de détente et la détente du pistolet pulvérisateur.
 - b. Éloigner le bloc de câble du pistolet pour réduire l'espace entre le levier de détente et la détente du pistolet pulvérisateur.



3. Resserrer la vis hexagonal pression.

Entretien du moteur

NOTA : Pour des renseignements détaillés sur les caractéristiques techniques et l'entretien, se reporter au manuel fourni avec le pulvérisateur.

Entretien périodique du moteur

Journalier

- Vérifier et remplir le réservoir à essence.
- Après 20 heures de fonctionnement, vidanger l'huile et mettre de l'huile fraîche. Vérifier le niveau d'huile du moteur et en ajouter au besoin.

Hebdomadaire

- Retirer le couvercle du filtre à air et nettoyer la pièce. Procéder au remplacement de la pièce au besoin. Si le travail se déroule dans un environnement inhabituellement poussiéreux, vérifier le filtre chaque jour et le remplacer au besoin. (Les pièces de remplacement sont offerts chez le distributeur local de Titan.)
- Après 50 heures d'utilisation : remplacer l'huile de moteur.

Commutateur d'arrêt de sécurité

Le commutateur d'arrêt de sécurité est pré-réglé à l'usine afin de fermer le vaporisateur pour prévenir la surpression. Ne tentez pas de régler ou de manipuler le commutateur d'arrêt de sécurité. Communiquez avec un centre de service autorisé si ce paramètre doit être réglé.

NOTA : Le commutateur d'arrêt de sécurité devrait être réglé pour arrêter le vaporisateur entre 3200 et 3300 PSI.

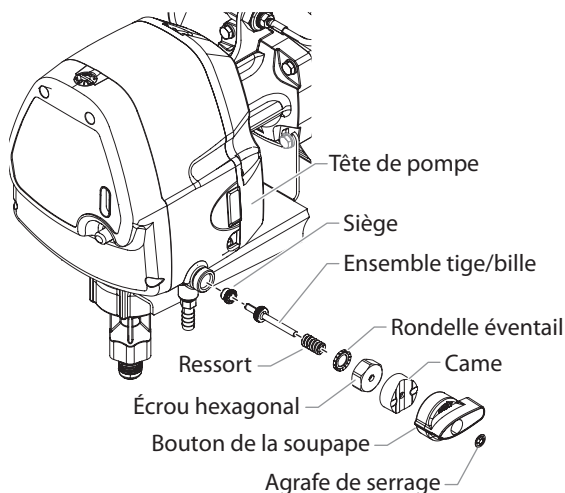
Remplacement de la soupape PRIME/SPRAY

Suivez les directives ci-dessous en se servant de la trousse de remplacement de la soupape PRIME/SPRAY (no de pièce 759-380).



Avant de procéder, on doit suivre les directives de la section Procédure de décompression du présent manuel. On doit également respecter tous les autres avertissements si on veut éviter les blessures par injection, par contact avec une pièce mobile ou par choc électrique.

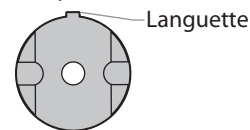
1. Arracher l'agrafe de serrage de l'intérieur de la partie encastrée du bouton de la soupape. Retirer le bouton de la soupape.
2. Retirer la came en la glissant de l'ensemble tige/bille.
3. Retirer l'écrou hexagonal de la tête de pompe à l'aide d'une clé.
4. Retirer la rondelle éventail, le ressort et l'ensemble tige/bille de la tête de pompe.
5. Retirer l'ensemble tige/bille de la tête de pompe à l'aide d'une clé à tête hexagonale de 7/32 po.



6. Resserrer le nouveau siège de l'ensemble tige/bille dans la tête de pompe. Utiliser une clé à tête hexagonale de 7/32 po. Serrer à un couple de 6 à 8 pi-lb.
7. Appliquer une couche mince d'huile hydraulique autour du joint torique sur le nouvel ensemble tige/bille.
8. Pousser l'ensemble tige/bille dans le siège de l'ensemble tige/bille dans la tête de pompe.
9. Placer le nouveau ressort et la rondelle éventail autour de l'ensemble tige/bille.
10. Glisser le nouvel écrou hexagonal sur la tige de l'ensemble tige/bille, le visser sur la tête de pompe et le serrer à l'aide d'une clé. Serrer à un couple de 12 à 14 pi-lb.
11. Appliquer une couche mince de graisse au-dessus de la came.
12. Glisser la nouvelle came sur la tige de l'ensemble tige/bille et sur l'écrou hexagonal. La conception de la came permettra à l'écrou hexagonal de se positionner à l'intérieur de la came, faisant en sorte que la came soit bloquée en position.

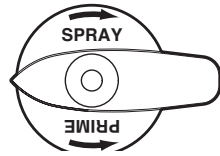
NOTA : Positionner la came sur l'écrou hexagonal afin que la languette sur le côté de la came soit le plus près possible de la position 12 h.

Languette sur la came à la position 12 h



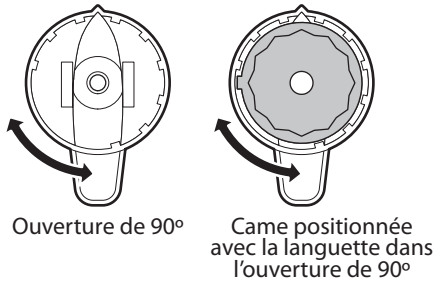
13. Placer le nouveau bouton de la soupape PRIME/SPRAY sur la came avec le pointeur du bouton le plus près possible de la position 9 h. S'assurer que le bouton est complètement poussé sur la came (le bouton devrait couvrir complètement la came).

Pointeur sur le bouton de la soupape dans la position 9 h



NOTA : Le bouton est conçu pour permettre un mouvement de 90° entre les positions SPRAY et PRIME. L'intérieur du bouton a une ouverture de 90° dans sa circonférence où la languette de la came devrait être positionnée afin de permettre ce mouvement. Lorsqu'on place le bouton avec la flèche à la position 9 h, il faut s'assurer que la languette sur la came se trouve dans l'ouverture de 90° à l'intérieur du bouton. Ensuite, il faut s'assurer que le bouton est à la fin de son mouvement dans le sens horaire (dans la position SPRAY avant de continuer les directives).

Derrière du bouton de la soupape PRIME/SPRAY



14. Tourner lentement le bouton dans le sens antihoraire jusqu'à ce que le bas du bouton se déplace au point de toucher le bas de la came (environ 5 à 7°).
15. Placer l'agrafe de serrage sur la tige de l'ensemble tige/bille où la tige traverse la partie encastrée du bouton.
16. À l'aide d'un tourne-écrou de 5/16 po (8 mm), pousser l'agrafe dans la partie encastrée du bouton avec une pression stable et égale jusqu'à ce qu'elle s'arrête.

IMPORTANT : Ne pas frapper l'agrafe d'un marteau ou la branler en place, cela l'endommagera.

17. Tourner la soupape PRIME/SPRAY à la position PRIME.
18. Démarrer le pistolet de pulvérisation et passer de l'eau dans le système afin de vérifier l'existence possible de fuites. S'il n'y a pas de fuites, le pistolet est prêt à l'utilisation.

Maintenance de la section des liquides

On doit suivre les procédures suivantes pour effectuer la maintenance des soupapes et remplacer les tampons graisseurs de la section des liquides.

NOTA : La trousse de regarnissage no 759-365 est disponible. Pour obtenir de meilleurs résultats, utiliser toutes les pièces contenues dans cette trousse.

Disassemblage du section des liquides

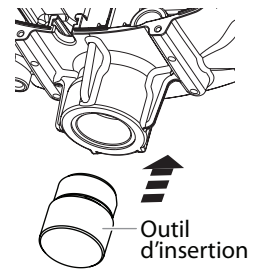


Avant de procéder, on doit suivre les directives de la section Procédure de décompression du présent manuel. On doit également respecter tous les autres avertissements si on veut éviter les blessures par injection, par contact avec une pièce mobile ou par choc électrique.

1. Retirer le dispositif d'aspiration.
2. Retirer le couvercle avant en enlevant les quatre (4) vis qui le retiennent au moyen d'un tournevis à pointe hexalobée (Torx T20).
3. Retirer la vis de chape et la rondelle qui retient la goupille de positionnement (qui relie la chape au piston).
4. Retirer la goupille à l'aide d'une pince.
5. Pousser sur la chape pour faire pivoter l'axe de la pompe de manière à orienter le piston à la position centrale supérieure (point mort haut). On doit réaliser cette étape avant de procéder au démontage des pièces.
6. Dévisser et retirer la soupape de Sureflo et ses composants (se reporter à la page 24).
7. Retirer le piston et ses composants en exerçant une pression près de la chape.
8. Dévisser et retirer l'écrou supérieur au moyen d'une clé à molette.
9. Retirer le joint usés à l'aide d'un poinçon ou d'un tournevis à lame plate. Enlever le joint supérieur par le haut en appuyant sur les bords pour les éjecter. Prendre soin de ne pas égratigner le logement où se trouvent les joints.
10. Nettoyer l'emplacement avant d'y réinsérer les nouveaux joints.

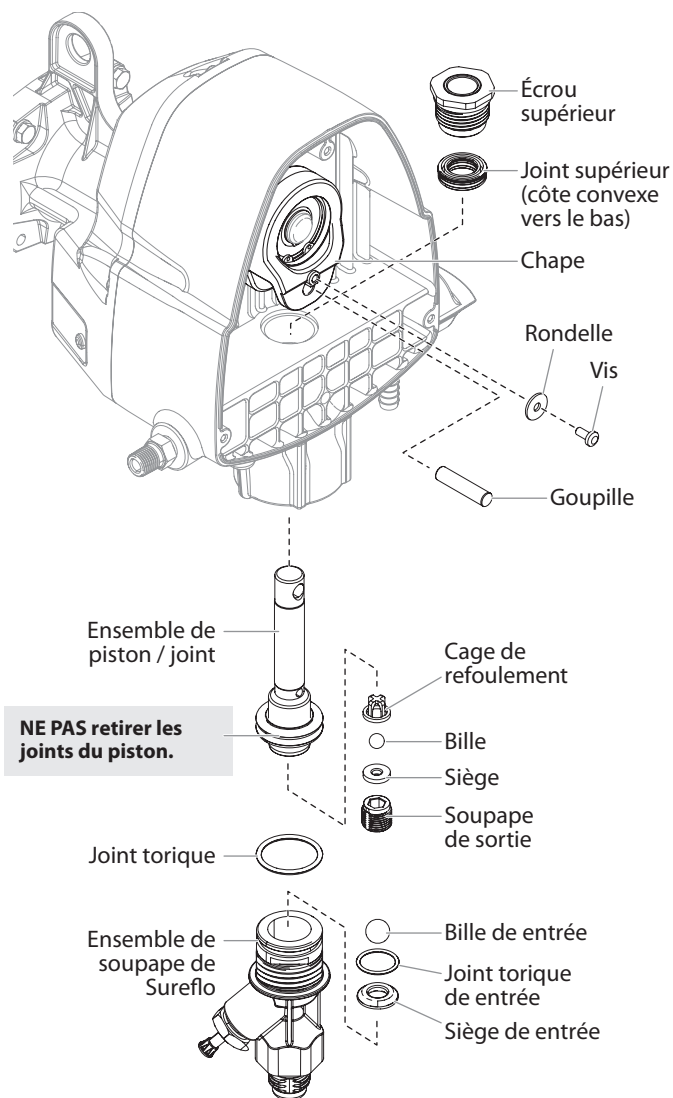
Assemblage du section des liquides

1. Lubrifier le nouveau joint supérieur en l'enduisant Piston Lube™ (n° 314-480) ou d'huile domestique légère avant de l'insérer, côté convexe vers le bas, par le dessus du logement.
2. Mettre une petite quantité de produit anti-grippage sur le filetage de l'écrou supérieur. Remettre l'écrou supérieur sur le logement et le serrer au moyen d'une clé à molette, ce qui aura pour effet d'enfoncer le joint supérieur en position.
3. Lubrifier le joint situé sur l'ensemble piston/joint de la même façon que sur le joint supérieur. Placer l'ensemble piston/joint dans la partie inférieure du logement. Introduire l'outil d'insertion en plastique et le appuyer de façon à bien assujettir l'ensemble piston/joint. Retirer l'outil d'insertion.
4. Installer le nouveau joint torique sur la soupape de Sureflo, lubrifier à l'aide de le Piston Lube (n° 314-480). Visser sur la partie inférieure (admission) du logement et serrer à l'aide de la clé à molette. Cela permet au joint inférieur de se mettre en position correcte.
5. Aligner le piston avec la chape. Prendre soin de ne pas endommager le piston.
6. Appliquer n'importe quel type de graisse de ménage sans silicone au piston et au bloc de bobinage afin de prolonger la



durée de vie. L'appliquer aux trous du bloc de bobinage où on insère la goupille.

7. Installer la goupille afin de raccorder le bloc de bobinage au piston. Il peut être nécessaire de monter ou de descendre le piston pour l'aligner au bloc de bobinage.
8. Installer la vis de chape et la rondelle pour fixer la goupille.
9. Remettre la pompe à l'endroit et appliquer quelques gouttes de Piston Lube ou l'huile domestique légère entre l'écrou supérieur et le piston pour prolonger la durée utile des joints.
10. Remettre le couvercle avant au moyen des quatre (4) vis.
11. Remettre la soupape de Sureflo. Remettez le dispositif d'aspiration.
12. Mettez en marche le pulvérisateur en suivant les directives de la rubrique « Fonctionnement » du présent manuel, et assurez-vous qu'il n'y a aucune fuite.



Dépannage

Probleme	Cause	Solution
A. L'appareil ne fonctionne pas.	<ol style="list-style-type: none"> 1. Le réglage de pression est trop bas. 2. Câblage défectueux ou débranché. 3. Le réservoir à essence est vide. 	<ol style="list-style-type: none"> 1. Tourner lentement le bouton de régulation de la pression de DirectLink dans le sens antihoraire afin d'augmenter la pression. 2. Vérifier ou le faire réparer dans un centre d'entretien agréé par Titan. 3. Remplir le réservoir à essence.
B. L'appareil ne s'amorce pas.	<ol style="list-style-type: none"> 1. La soupape de PRIME/SPRAY est en position SPRAY. 2. Fuite d'air dans le flexible du siphon/d'aspiration. 3. Le filtre d'entrée sont bouchés. 4. Le tube-siphon/d'aspiration est bouché. 	<ol style="list-style-type: none"> 1. Faire tourner la soupape PRIME/SPRAY dans le sens des aiguilles d'une montre en position PRIME. 2. Vérifier le branchement du flexible du siphon/d'aspiration et serrer ou recoller le raccord avec du ruban en PTFE. 3. Démonter le filtre d'entrée et le nettoyer. 4. Démonter le tube-siphon/d'aspiration et le nettoyer.
C. La pression ne se fait pas dans l'appareil ou la pression n'est pas uniforme.	<ol style="list-style-type: none"> 1. Le buse d'aspiration est usé. 2. Le buse d'aspiration est trop grand. 3. Le filtre du pistolet ou le filtre d'entrée sont bouchés. 4. Du produit s'échappe du flexible de retour lorsque la soupape de PRIME/SPRAY est en position SPRAY. 5. Fuite d'air dans le flexible du siphon/le flexible d'aspiration. 6. Il y a une fuite de liquide externe. 7. Il y a une fuite interne dans la section des liquides (les tampons graisseurs sont usés et/ou sales, les clapets sont usés). 8. Sièges de soupape usés. 	<ol style="list-style-type: none"> 1. Remplacer le buse d'aspiration selon les consignes qui accompagnent le pistolet de vaporisation. 2. Remplacer le buse d'aspiration par un embout à moins large selon les consignes qui accompagnent le pistolet de vaporisation. 3. Retirer le filtre du pistolet et le nettoyer. Démonter le filtre d'entrée et le nettoyer. 4. Nettoyer ou remplacer la soupape de PRIME/SPRAY. 5. Vérifier le branchement du flexible du siphon/d'aspiration et serrer ou recoller le raccord avec du ruban en PTFE. 6. Vérifier qu'il n'y a pas de fuites externes dans tous les raccords. Resserrer les raccords au besoin. 7. Nettoyer les soupapes et la section des liquides selon la procédure "Maintenance de la Section des Liquides" décrite au chapitre Maintenance de ce manuel. 8. Inverser ou remplacer les sièges de soupape selon la procédure "Maintenance de la Section des Liquides" décrite au chapitre Maintenance de ce manuel.
D. Fuite de liquide dans la partie supérieure de la section des liquides.	<ol style="list-style-type: none"> 1. Les tampons graisseurs supérieurs sont usés. 2. La tige du piston est usée. 	<ol style="list-style-type: none"> 1. Regarnir selon la procédure "Maintenance de la Section des Liquides" décrite au chapitre Maintenance de ce manuel. 2. Remplacer la tige du piston selon la procédure "Maintenance de la Section des Liquides" décrite au chapitre Maintenance de ce manuel.
E. Trop grand afflux au pistolet vaporisateur.	<ol style="list-style-type: none"> 1. Mauvais type de flexible de vaporisation sans air. 2. Le buse d'aspiration est usé ou trop grand. 3. Pression excessive. 	<ol style="list-style-type: none"> 1. Remplacer le flexible par un flexible de vaporisation de peinture sans air en tresse de textile de 1/4" et de 15m de longueur. 2. Remplacer le buse d'aspiration selon les consignes qui accompagnent le pistolet de vaporisation. 3. Tourner lentement le bouton de régulation de la pression de DirectLink dans le sens horaire pour diminuer la pression.
F. Forme de vaporisation incorrecte.	<ol style="list-style-type: none"> 1. Le buse d'aspiration est trop grand pour le produit utilisé. 2. Mauvais réglage de pression. 3. Sortie de liquide insuffisante. 4. Le produit vaporisé est trop visqueux. 	<ol style="list-style-type: none"> 1. Remplacer le buse d'aspiration par un embout neuf ou plus petit selon les consignes qui accompagnent le pistolet de vaporisation. 2. Régler le bouton de régulation de la pression de DirectLink jusqu'à l'obtention de la forme de jet recherchée. 3. Nettoyer toutes les crépines et tous les filtres. 4. Ajouter du solvant au produit selon les recommandations du fabricant.
G. L'outil n'est pas pouvoir.	<ol style="list-style-type: none"> 1. Le réglage de la pression est trop faible. 	<ol style="list-style-type: none"> 1. Faire réparer dans un centre d'entretien agréé par Titan.

Notas

Información de seguridad importante



Lea toda la información de seguridad antes de operar el equipo. Guarde estas instrucciones.



Indica una situación peligrosa que, de no evitarse, puede causar la muerte o lesiones graves. Para reducir los riesgos de incendios, explosiones, descargas eléctricas o lesiones a las personas, lea y entienda todas las instrucciones incluidas en este manual. Familiarícese con los controles y el uso adecuado del equipo.



ADVERTENCIA: EXPLOSIÓN O INCENDIO

Los vapores inflamables, como los vapores de las pinturas y los solventes, pueden encenderse o explotar en el área de trabajo.

PREVENCIÓN:

1. Use el equipo solo en áreas bien ventiladas. Mantenga un buen suministro de aire fresco moviéndose a través del área para mantener el aire al interior del área de pulverización libre de acumulación de vapores inflamables. Mantenga el conjunto de la bomba en un área bien ventilada. No pulverice el conjunto de la bomba.
2. Solo para modelos a gas: no llene el tanque de combustible mientras el motor esté en marcha o está caliente; apague el motor y deje que se enfríe. El combustible es inflamable y puede encenderse o explotar si se derrama sobre una superficie caliente.
3. Elimine todas las fuentes de encendido como luces de piloto, cigarrillos, lámparas eléctricas portátiles y cubiertas plásticas (potenciales arcos estáticos).
4. Mantenga el área de trabajo libre de desechos, lo que incluye solventes, trapos y gasolina.
5. No conecte o desconecte cables de alimentación ni prenda o apague interruptores de luz o de energía cuando hay vapores inflamables presentes.
6. Conecte a tierra el equipo y los objetos conductores en el área de trabajo. Asegúrese de que la cadena de conexión a tierra está en su lugar y de que alcance la tierra.
7. Use solo mangueras conectadas a tierra.
8. Sostenga firmemente la pistola pulverizadora en el costado de un cubo conectado a tierra cuando se aprieta el gatillo hacia un cubo.
9. Si hay formación estática de chispas o si usted siente una descarga, detenga inmediatamente la operación.
10. Conozca el contenido de la pintura y de los solventes que se pulverizan. Lea todas las hojas de datos de seguridad de materiales (MSDS) y las etiquetas de los recipientes proporcionadas con las pinturas y solventes. Siga las instrucciones de seguridad de los fabricantes de las pinturas y los solventes.
11. No use una pintura o un solvente que contenga hidrocarburos halogenados. Tales como: cloro, fungicida, blanqueador, cloruro de metileno y tricloroetano. Estos no son compatibles con el aluminio. Contacte con el proveedor del recubrimiento para obtener información acerca de la compatibilidad del material con el aluminio.
12. Mantenga un extintor de incendios en el área.



ADVERTENCIA: LESIÓN POR INYECCIÓN

El flujo de pintura a alta presión que produce este equipo puede perforar la piel y los tejidos subyacentes, ocasionando lesiones graves y posible amputación. CONSULTE A UN MÉDICO INMEDIATAMENTE.

PREVENCIÓN:

1. No apunte con la pistola ni pulverice sobre ninguna persona ni animal.

2. Mantenga las manos y el resto del cuerpo lejos de la descarga. Por ejemplo, no trate de detener fugas con ninguna parte de su cuerpo.
3. Utilice siempre el protector de la boquilla. No pulverice sin el protector en su sitio.
4. Utilice solamente la boquilla especificada por el fabricante.
5. Tenga cuidado al limpiar y cambiar las boquillas. Si la boquilla se atasca durante la pulverización, ponga SIEMPRE el seguro del gatillo de la pistola, apague la bomba y libere toda la presión antes de reparar, limpiar el protector o la boquilla o cambiar la boquilla. La presión no se libera apagando el motor. Para liberar la presión hay que poner la manija de la válvula PRIME/SPRAY (cebar/pulverizar) en PRIME. Consulte el Procedimiento para liberar presión que se describe en el manual de la bomba.

NOTE: Si es necesario, suelte la perilla de ensamblaje de soporte de la pistola y enganche el seguro del gatillo.

6. No deje el aparato con corriente ni con presión cuando nadie esté pendiente de ella. Cuando no utilice el aparato, apáguelo y libere la presión siguiendo las instrucciones del fabricante.
7. La pulverización a alta presión puede inyectar toxinas en el cuerpo y producir daños graves en el mismo. En caso de que esto ocurra, visite a un médico inmediatamente.
8. Compruebe las mangueras y las piezas en busca de daños; una fuga puede inyectar material en la piel. Inspeccione la manguera antes de cada uso. Sustituya las mangueras o las piezas dañadas.
9. Este sistema es capaz de producir 3000 PSI / 20.7 MPa. Utilice solamente piezas de repuesto o accesorios especificados por el fabricante y con una capacidad nominal de 3000 PSI como mínimo. Entre ellos se incluyen boquillas pulverizadoras, protectores para las boquillas, pistolas, alargadores, racores y mangueras.
10. Ponga siempre el seguro del gatillo cuando no esté pulverizando. Verifique que el seguro del gatillo funciona correctamente.
11. Antes de utilizar el aparato, verifique que todas las conexiones son seguras.
12. Aprenda a detener el aparato y a liberar la presión rápidamente. Familiarícese a conciencia con los controles. La presión no se libera apagando el motor. Para liberar la presión hay que poner la manija de la válvula PRIME/SPRAY (cebar/pulverizar) en PRIME. Consulte el Procedimiento para liberar presión que se describe en el manual de la bomba.
13. Quite siempre la boquilla pulverizadora antes de enjuagar o limpiar el sistema.

NOTA PARA EL MÉDICO: La inyección a través de la piel es una lesión traumática. Es importante tratar la lesión tan pronto sea posible. NO retrase el tratamiento para investigar la toxicidad. La toxicidad es un factor a considerar con ciertos revestimientos inyectados directamente en la corriente sanguínea. Puede ser aconsejable consultar con un cirujano plástico o un cirujano especialista en reconstrucción de las manos.



ADVERTENCIA: GENERAL

Puede causar daños materiales o lesiones graves.

PREVENCIÓN:

1. Cuando pinte, lleve siempre guantes, protección para los ojos, ropa y un respirador o máscara adecuados. Vapores peligrosos: Las pinturas, disolventes, insecticidas y otros materiales pueden ser perjudiciales si se inhalan o entran en contacto con el cuerpo. Los vapores pueden producir náuseas intensas, desmayos o envenenamiento.
2. Lleve protección para los oídos. El aparato puede producir niveles de ruido superiores a 85 dB(A).

Información de seguridad importante

3. Nunca utilice el aparato ni pulverice cerca de niños. Mantenga el equipo alejado de los niños en todo momento.
4. No se estire demasiado ni se apoye sobre un soporte inestable. Mantenga los pies bien apoyados y el equilibrio en todo momento.
5. No se distraiga y tenga cuidado con lo que hace.
6. No utilice el aparato si está fatigado o se encuentra bajo la influencia del alcohol o de las drogas.
7. No retuerza ni doble la manguera en exceso. En la manguera airless pueden aparecer fugas a causa del desgaste, de retorcimientos o de un mal uso. Una fuga puede inyectar material en la piel.
8. No exponga la manguera a temperaturas o presiones que superen las especificadas por el fabricante.
9. No utilice la manguera como elemento de fuerza para tirar del equipo o levantarlo.
10. Utilice la presión más baja posible para enjuagar el equipo.
11. Cumpla todos los reglamentos locales, estatales y nacionales pertinentes relativos a ventilación, prevención de incendios y funcionamiento.
12. Las normas sobre seguridad del gobierno de los Estados Unidos se han adoptado al amparo de la Ley de salud y seguridad ocupacional (OSHA). Deben consultarse tres normas, particularmente la sección 1910 de las Normas generales y la sección 1926 de las Normas sobre construcción.
13. Cada vez que vaya a utilizar el equipo, compruebe antes todas las mangueras en busca de cortes, fugas, abrasión o bultos en la cubierta. Compruebe el movimiento de los acoplamientos y si están dañados. Sustituya inmediatamente una manguera si descubre alguna de estas anomalías. No repare nunca una manguera de pintura. Sustitúyala por una manguera conductora a alta presión.
14. No pulverice al aire libre si hace viento.

IMPORTANTE: No cargue el equipo por el asa del carrito durante la carga y descarga.

Seguridad con los motores de gasolina



El escape del motor de esta unidad contiene químicos que el Estado de California ha determinado causan cáncer, defectos de nacimiento u otros daños al sistema reproductor.

1. Los motores están diseñados para proporcionar un servicio seguro y fiable, si se utilizan de acuerdo a las instrucciones. Lea y entienda las instrucciones del Manual del Propietario de Robin-Subaru antes de utilizar el motor. De lo contrario, podría causar lesiones personales o daño al equipo.
2. Para evitar peligros de incendio y para proporcionar una ventilación adecuada, mantenga el motor por lo menos a 1 metro de los edificios y de otro equipo durante su uso. No coloque objetos inflamables cerca del motor.
3. Mantenga a los niños y las mascotas alejados de la zona de trabajo, pues existe la posibilidad de quemaduras causadas por los componentes calientes del motor o lesiones causadas por cualquier equipo en el que se utilice el motor.
4. Sepa cómo apagar el motor rápidamente y comprenda el funcionamiento de todos los controles. Nunca permita a nadie operar el motor sin las instrucciones apropiadas.
5. La gasolina es extremadamente inflamable y es explosiva bajo ciertas condiciones.
6. Llene el tanque de combustible en un lugar bien ventilado y con el motor apagado. No fume ni permita que haya llamas ni chispas en la zona de llenado ni en donde se almacena el combustible.
7. No llene en exceso el tanque de combustible. Después de ponerle combustible, asegúrese de que la tapa del tanque esté cerrada completamente.
8. Tenga cuidado de no derramar el combustible. Los gases del combustible o el combustible derramado pueden encenderse.

Si se derrama combustible, asegúrese de que la zona esté seca antes de encender el motor.

9. Nunca utilice el motor en un lugar encerrado o confinado. El escape contiene gas de monóxido de carbono venenoso; la exposición a este gas puede causar pérdida del conocimiento y puede conducir a la muerte.
10. El escape se calienta mucho durante su uso y permanece caliente durante un rato después de apagar el motor. Asegúrese de no tocar el escape cuando esté caliente. Para evitar quemaduras graves o peligros de incendio, deje que el motor se enfríe antes de transportarlo o guardarlo bajo techo.
11. Nunca envíe ni transporte la unidad con gasolina en el tanque.

Especificaciones

Capacidad (GPM)	0.33 (1.25 LPM)
Tamaño max. de soportes	0.019" — Marcado de tránsito
	0.023" — Marcado de campo
Max presión de pulverización	3000 PSI (22.8 MPa)
Potencia	Motor de gasolina de 4.5 HP
Capacidad de combustible	0.65 l
Peso	29.5 kg
Filtro de entrada	mallita 10 "separadora de piedras"
Conector de manguera	1/4" NPS(M)
Rango de anchura de línea	2"-12" (5-30 cm)
Dimensiones	41" L (104 cm) x 21" W (53,3 cm) x 32" H (81,3 cm)

Contenido

Precauciones de seguridad.....	30
Especificaciones.....	31
Descripción general	32
Funcionamiento	32
Abastecimiento de combustible	32
Controles del operador	33
Configuración	33
Preparación para pintar	34
Pintura	34
Procedimiento para aliviar la presión	36
Cómo descongestionar la punta de pulverización	36
Cambio de la punta	36
Estarcido	36
Operación de la roldana delantera	36
Limpieza	37
Limpieza especial	38
Limpieza/reemplazo de filtro de pistola	38
Limpieza de ensamblaje de válvula de Sureflo™	38
Mantenimiento	39
Notas generales de reparación y servicio	39
Ajuste de la tensión del gatillo	39
Mantenimiento del motor.....	39
Interruptor de corte de seguridad	39
Reemplazo de la válvula de PRIME/SPRAY	40
Servicio a la sección de líquidos.....	41
Solución de problemas	42
Liste de piezas.....	44
Ensamblaje principal.....	44
Ensamblaje de la caja de engranajes	46
Ensamblaje de carro	48
Ensamblaje de soporte de la pistola.....	50
Ensamblaje de pistola.....	51
Esquema eléctrico.....	52
Etiquetas	52
Accesorios	53
Registro del producto	55
Garantía.....	55

Descripción general

El trazalíneas sin aire es una herramienta mecánica de precisión que se utiliza para pulverizar diversos tipos de materiales en varios tipos de aplicaciones, entre las que se encuentran, estacionamientos, aceras y pistas atléticas. Lea y siga este manual de instrucciones detenidamente para conocer las instrucciones de operación, de mantenimiento y la información de seguridad correspondiente.

IMPORTANTE: Con el objeto de prevenir derrames, compruebe que el cubo se encuentre cubierto cuando la unidad se encuentre en movimiento.



Funcionamiento

Abastecimiento de combustible (motor de gasolina)



La gasolina es extremadamente inflamable y es explosiva en determinadas circunstancias.

- Apague SIEMPRE el motor antes de realizar el reabastecimiento.
- Realice el reabastecimiento en una zona bien ventilada.
- No fume ni permita que haya llamas ni chispas en el área de reabastecimiento de combustible ni donde se almacene la gasolina.
- No llene excesivamente el tanque de combustible. Tras repostar, asegúrese de que la tapa del tanque está adecuadamente cerrada y asegurada.
- Tenga cuidado de no derramar combustible cuando realiza el reabastecimiento. El combustible derramado o el vapor del combustible pueden inflamarse. Si se derrama combustible, asegúrese de que el área está seca antes de arrancar el motor.
- Evite el contacto prolongado o repetido con la piel, o respirar los vapores.
- Mantener fuera del alcance de los niños.

Especificaciones del combustible

- Utilice gasolina para automóviles que tenga un índice de octano en la bomba de 86 o más, o que tenga un índice de octano-investigación de 91 o más. El uso de una gasolina de menos octanos puede causar un persistente "picado" o "autoencendido" fuerte (un ruido metálico de golpes) que, si es grave, puede llegar a dañar el motor.

NOTA: Si el "autoencendido" o "picado" se produce a una velocidad constante del motor en condiciones de carga normal, cambie de marca de gasolina. Si el autoencendido o picado persiste, consulte a un distribuidor autorizado del fabricante del motor. No hacerlo se considera uso indebido, y los daños causados por la mala utilización no están cubiertos por la garantía limitada del fabricante del motor. Ocasionalmente, es posible que experimente ligeros "autoencendidos" cuando opera en condiciones de carga fuertes. No hay motivo para preocuparse, sólo significa que su motor está funcionando eficazmente.

- El combustible sin plomo produce menos depósitos en el motor y en las bujías y prolonga la vida de los componentes del sistema de escape.
- Nunca utilice gasolina deteriorada o contaminada ni una mezcla de aceite y gasolina. Evite introducir suciedad, polvo o agua en el tanque de combustible.

Gasolinas que contienen alcohol

Si decide utilizar una gasolina que contiene alcohol (gasohol), asegúrese de que su calificación en octanos es como mínimo tan alta como la recomendada por el fabricante del motor. Existen dos tipos de "gasohol". uno contiene etanol, y el otro contiene metanol. No utilice gasohol que contenga más del 10% de etanol. No utilice gasolina que contenga metanol (alcohol metílico o de madera) que no contenga también co-disolventes e inhibidores de la corrosión para el metanol. Nunca utilice gasolina que contenga más del 5% de metanol, incluso si tiene co-disolventes e inhibidores de la corrosión.

NOTA: Los daños en el sistema de combustible o los problemas de rendimiento del motor producidos como resultado del uso de combustibles que contengan alcohol no están cubiertos por la garantía. El fabricante del motor no puede respaldar el uso de combustibles que contengan metanol, ya que las evidencias de su adecuación son incompletas en estos momentos.

Antes de comprar gasolina en una gasolinera que no le sea familiar, trate de averiguar si la gasolina contiene alcohol. Si es así, confirme el tipo de alcohol utilizado y su porcentaje. Si advierte alguna característica no deseada en el funcionamiento mientras utiliza una gasolina que contenga alcohol, o que usted piensa que contiene alcohol, cambie a una gasolina que sepa que no contiene alcohol.

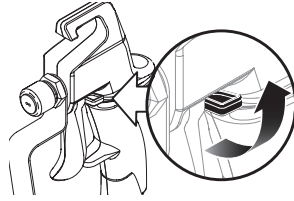
Controles del operador

La siguiente sección describe los controles del operador en la pistola pulverizadora y trazarlíneas.

Seguro del gatillo

Enganche el seguro del gatillo cuando la pistola no esté en uso.

La pistola queda bloqueada cuando el seguro del gatillo está en un ángulo de 90° (perpendicular) al gatillo en cualquier dirección.



NOTA: Si es necesario, suelte la perilla de ensamblaje de soporte de la pistola y enganche el seguro del gatillo. Mueva la pistola a la posición original y apriete el botón del ensamblaje de soporte de la pistola.

Palanca de pulverización

La palanca de pulverización se ubica en la manilla del carro. La palanca de pulverización controla el gatillo de la pistola pulverizadora.

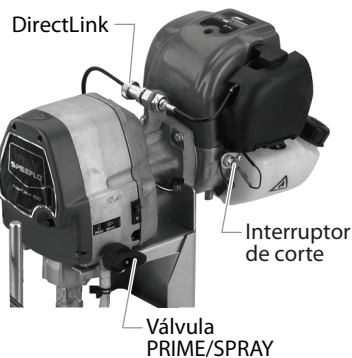
Si se tira completamente de la palanca de pulverización, se acciona la pistola pulverizadora. Se debe tirar completamente de la palanca de pulverización al trazar líneas para obtener una operación correcta.



DirectLink™

El acelerador del motor determina la presión de pulverización.

El acelerador se regula ajustando el regulador de control de presión de DirectLink. Mientras mayor sea la aceleración, mayor será la presión de pulverización.



Válvula PRIME/SPRAY

Cuando la perilla PRIME/SPRAY está en la posición SPRAY, el fluido se dirige hacia la manguera del rociador. Cuando está en la posición PRIME, se dirige hacia el tubo de retorno.

Las flechas en la perilla PRIME/SPRAY indican hacia dónde girar la perilla para colocar la bomba en PRIME o SPRAY.

Interruptor de corte

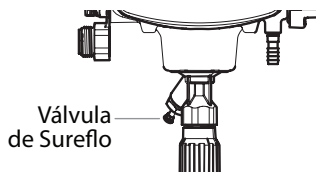
El interruptor de corte de seguridad apagará el motor cuando esté funcionando.

Presione y mantenga presionado el interruptor de corte para apagar el motor.

Válvula de Sureflo™

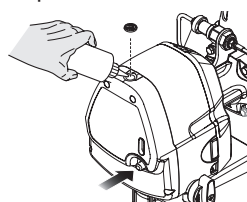
El válvula de Quickflo™ está diseñado para mantener la válvula de entrada abierta e impedir que se pegue a causa de la presencia de materiales secos.

El válvula de Quickflo™ se activa manualmente por el usuario.



AutoOiler™

El diseño de AutoOiler permite la lubricación de la sección de líquidos de la bomba. Luego del ajuste inicial, presione el botón AutoOiler 2 a 3 veces antes de cada uso.



Configuración

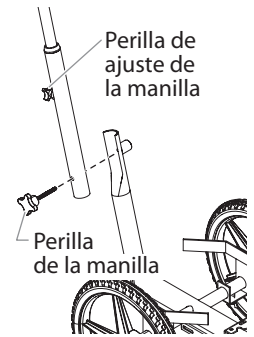
Realice el siguiente procedimiento antes de arrancar el motor de un trazarlíneas a gasolina.



Este equipo produce un flujo constante a presiones extremadamente altas. Lea detalladamente las advertencias de la sección Precauciones de seguridad en la parte delantera de este manual antes de operar este equipo.

1. Acople la manilla al carro.

- Alinee el orificio en la parte inferior de la manilla con la pieza soldada de soporte que se encuentra en el carro.
- Enrosque el perno a través del orificio en la manilla y la pieza soldada. Apriete girando la perilla del perno en el sentido de las agujas del reloj.
- Ubique la manilla a la altura que desee. Suelte la perilla en la parte trasera de la pieza soldada de soporte para poder soltar la manilla.
- Tire de la manilla hacia arriba o hacia abajo para ajustarla a la altura que desee. Apriete la perilla de la manilla para asegurar la manilla.



2. Asegúrese de que el tubo del sifón y la tubo de retorno estén conectados y fijos.

3. Use una llave para conectar de la manguera de pulverización sin aire a la conexión de salida del pulverizador. Apriete firmemente.

4. Conecte una pistola pulverizadora sin aire en la manguera de pulverización. Use dos llaves (una en la pistola y la otra en la manguera) para apretar firmemente.

NOTA: La pistola pulverizadora y los cables se montan en la barra de soporte de la pistola en la fábrica.

NOTA: Todavía no conecte la punta a la pistola rociadora. Quite la punta si ya estaba conectada.

5. Ubique la pistola pulverizadora.

- Suelte la perilla de la barra de soporte y deslice la barra de soporte de la pistola hasta la posición horizontal que desee. Asegúrese de que la pistola esté lo suficientemente lejos del carro para que la rueda trasera no pase sobre el patrón recién pintado.
- Suelte la abrazadera del montante ascendente de la pistola y deslice la pistola pulverizadora hasta la posición vertical que desee. Una distancia de 6" desde la punta a la superficie de pulverización es un buen punto de partida.



NOTA: La altura de la pistola pulverizadora afecta el ancho del patrón de pulverización (es decir, mientras más abajo esté la pistola, más pequeño será el ancho de la línea). El tamaño de la punta también afecta el ancho de la línea.

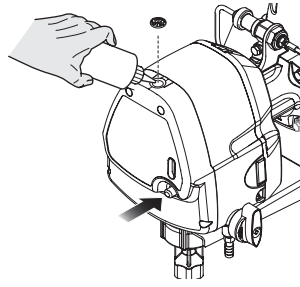
- Asegúrese de que el cable de la pistola esté funcionando correctamente. Cuando tire de la palanca de pulverización en la manilla del carro, el cable de la pistola debe tirar del gatillo. Este cable está ajustado en fábrica para que funcione correctamente. Si se necesita realizar ajustes a la tensión del gatillo de la pistola, consulte el procedimiento "Ajuste de tensión del gatillo" en la sección Mantenimiento de este manual.

7. Mueva la válvula PRIME/SPRAY a la posición PRIME.

IMPORTANTE: Nunca haga funcionar la unidad durante más de diez segundos sin líquido. Si se hace funcionar esta unidad sin líquido, se provocará un desgaste innecesario de las empaquetaduras.



8. Quite la tapa del AutoOiler usando un destornillador de punta plana. Deje salir el Piston Lube suministrado con su rociador en el AutoOiler. Coloque la tapa.
9. Presione el botón que se encuentra en el frente de la placa frontal 2-5 veces para lubricar la sección de fluidos.
10. Revise el nivel de aceite del motor. El fabricante determina el nivel de aceite del motor de gasolina. Consulte el manual de servicio técnico del fabricante del motor (se proporciona).
11. Llene el tanque de combustible del motor sólo con gasolina sin plomo. No mezcle la gasolina con aceite de 2 tiempos.



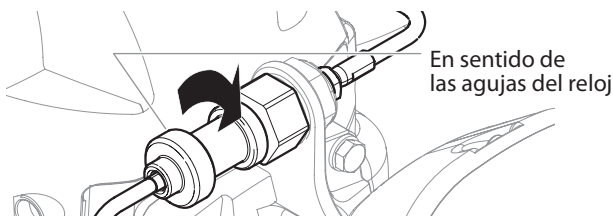
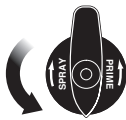
Preparación para pintar

Antes de pintar, es importante revisar que el líquido del sistema sea compatible con la pintura que va a utilizar.

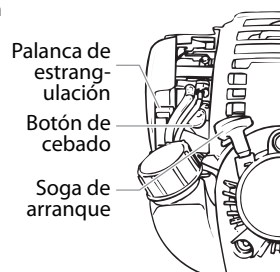
NOTE: Si esta unidad es nueva, se envía con un líquido de prueba en la sección de líquidos para evitar la corrosión durante el envío y almacenamiento. Este líquido debe retirarse completamente del sistema con alcoholes minerales antes de comenzar a rociar. Los líquidos y pinturas incompatibles pueden causar que se atasquen cerradas las válvulas, lo cual puede necesitar que se desmonte y limpie la sección de líquidos del rociador.

IMPORTANTE: Mantenga siempre el seguro del gatillo de la pistola rociadora en la posición bloqueada mientras prepara el sistema.

1. Coloque el tubo del sifón en un recipiente con el solvente adecuado para el material que se vaya a pulverizar (consulte las recomendaciones del fabricante del material). Un ejemplo del solvente adecuado es el agua para la pintura látex.
2. Coloque el tubo de retorno en el contenedor de desechos de metal.
3. Mueva la válvula PRIME/SPRAY a la posición PRIME.
4. Inserte completamente el válvula de Sureflo.
5. Gire el regulador de control de presión de DirectLink completamente en el sentido de las agujas del reloj hasta el mínimo.



6. Arranque el motor:
 - a. Mueva la palanca de estrangulación hasta la posición de estrangulación total.
 - b. Presione el botón de cebado de goma 7 a 10 veces.
 - c. Jale rápida y firmemente la soga de arranque. Continúe sosteniendo la soga mientras ésta se devuelve. Jale y regrese la soga hasta que arranque el motor.
 - d. Cuando esté en marcha el motor, baje lentamente la palanca de estrangulación hasta la posición cerrada.



NOTA: Si tiene problemas para arrancar el motor, gire media vuelta el regulador de control de presión de DirectLink en el sentido contrario al de las agujas del reloj (1-2 rotaciones).

7. Gire lentamente el regulador de control de presión de DirectLink en el sentido contrario al de las agujas del reloj para aumentar la presión, hasta que empiece a salir líquido por la manguera de retorno. Use sólo la presión suficiente para mantener la salida de líquido.
8. Deje que el pulverizador funcione durante 15 a 30 segundos para eliminar el líquido de prueba por la tubo de retorno y hacia el contenedor de desechos.
9. Gire el regulador de control de presión de DirectLink completamente en el sentido de las agujas del reloj hasta el mínimo.
10. Apague el pulverizador presionando y manteniendo presionado el interruptor de apagado del motor hasta que el motor se apague.

NOTA: Fíjese que la pistola rociadora no tenga instalada una punta o protección de punta.

11. Coloque un recipiente metálico de desechos bajo la pistola de pulverización para recibir el solvente.
12. Arranque el motor.
13. Mueva la válvula PRIME/SPRAY a la posición SPRAY.
14. Gire lentamente el regulador de control de presión de DirectLink en el sentido contrario al de las agujas del reloj para aumentar la presión.
15. Desbloquee la pistola girando el seguro de su gatillo a la posición desbloqueada.
16. Tire completamente de la palanca de pulverización en la manilla del carro. Comenzará a fluir líquido a través de la manguera de pulverización hasta salir de la pistola.
17. Continúe tirando la palanca de la manilla del carro hasta que los solventes/líquidos de prueba antiguos se agoten y comience a salir solvente fresco de la pistola.
18. Suelte la palanca de pulverización.
19. Bloquee la pistola girando el seguro de su gatillo a la posición bloqueada. Si es necesario, suelte la perilla de ensamblaje de soporte de la pistola y enganche el seguro del gatillo. Mueva la pistola a la posición original y apriete el botón del ensamblaje de soporte de la pistola.
20. Revise que el sistema no tenga fugas. Si las hay, apague el pulverizador y siga el "Procedimiento de liberación de presión" de este manual antes de apretar cualquier conexión o manguera.
21. Siga el "Procedimiento de liberación de presión" de este manual antes de cambiar del solvente a la pintura.



No deje de seguir el procedimiento para aliviar la presión cuando apague la unidad por cualquier motivo, incluso el servicio o ajuste de alguna pieza del sistema de rociado, cambio o limpieza de las puntas rociadoras o la preparación para la limpieza.

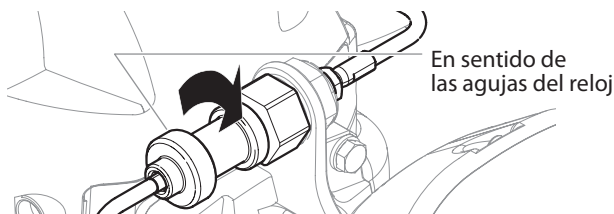
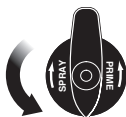
Pintura

1. Coloque un balde de cinco galones de material entre los soportes del balde en el carro. Asegúrese de que los soportes del balde sostengan el balde de cinco galones de forma segura. Ajuste los soportes del balde usando el tornillo de mariposa que se encuentra bajo cada soporte, según sea necesario.

NOTA: Cuando use este trazalíneas por primera vez, puede ser útil usar agua en lugar de pintura para familiarizarse con su funcionamiento. Luego de cambiar de agua a pintura, realice varias líneas de pulverización de prueba sobre cartón, fieltro impermeable o papel de colofonia antes de hacer las líneas para asegurar el ancho correcto de la línea.

2. Coloque el tubo de sifón en un recipiente con pintura.
3. Coloque el tubo de retorno en el contenedor de desechos de metal.

4. Mueva la válvula PRIME/SPRAY a la posición PRIME.
5. Inserte completamente el válvula de Sureflo.
6. Gire el regulador de control de presión de DirectLink completamente en el sentido de las agujas del reloj hasta el mínimo.



En sentido de las agujas del reloj

7. Arranque el motor:
 - a. Mueva la palanca de estrangulación hasta la posición de estrangulación total.
 - b. Presione el botón de cebado de goma 7 a 10 veces.
 - c. Jale rápida y firmemente la sogá de arranque. Continúe sosteniendo la sogá mientras ésta se devuelve. Jale y regrese la sogá hasta que arranque el motor.
 - d. Cuando esté en marcha el motor, baje lentamente la palanca de estrangulación hasta la posición cerrada.
8. Gire lentamente el regulador de control de presión de DirectLink en el sentido contrario al de las agujas del reloj para aumentar la presión, hasta que empiece a salir líquido por la manguera de retorno. Use sólo la presión suficiente para mantener la salida de líquido.
9. Deje que el pulverizador funcione durante 15 a 30 segundos para eliminar el líquido de prueba por la tubo de retorno y hacia el contenedor de desechos.
10. Gire el regulador de control de presión de DirectLink completamente en el sentido de las agujas del reloj hasta el mínimo.
11. Apague el pulverizador presionando y manteniendo presionado el interruptor de apagado del motor hasta que el motor se apague.
12. Retire la tubo de retorno del contenedor de desechos y colóquela en la posición de funcionamiento sobre el recipiente con pintura.
13. Arranque el motor:
14. Mueva la válvula PRIME/SPRAY a la posición SPRAY.
15. Desbloquee la pistola girando el seguro de su gatillo a la posición desbloqueada.
16. Gire lentamente el regulador de control de presión de DirectLink en el sentido contrario al de las agujas del reloj para aumentar la presión.
17. Tire completamente de la palanca de pulverización en la manilla del carro. Comenzará a fluir líquido a través de la manguera de pulverización hasta salir de la pistola.
18. Continúe tirando la palanca de la manilla del carro hasta que los solventes/líquidos de prueba antiguos se agoten y comience a salir solvente fresco de la pistola.
19. Suelte la palanca de pulverización.
20. Bloquee la pistola girando el seguro de su gatillo a la posición bloqueada. Si es necesario, suelte la perilla de ensamblaje de soporte de la pistola y enganche el seguro del gatillo. Mueva la pistola a la posición original y apriete el botón del ensamblaje de soporte de la pistola.
21. Gire el regulador de control de presión de DirectLink completamente en el sentido de las agujas del reloj hasta el mínimo.
22. Mueva la válvula PRIME/SPRAY a la posición PRIME.

Palanca de estrangulación
Botón de cebado
Soga de arranque



23. Apague el pulverizador presionando y manteniendo presionado el interruptor de apagado del motor hasta que el motor se apague.
24. Acople la protección de la punta y la punta a la pistola pulverizadora. Consulte las instrucciones que se encuentran más adelante en esta sección.



POSIBLE PELIGRO DE INYECCIÓN. No rocíe sin la protección de la punta en su lugar. Nunca apriete el gatillo de la pistola a menos que la punta esté en la posición de rociado o desatasco. Siempre coloque el seguro del gatillo de la pistola antes de retirar, reemplazar o limpiar la punta.

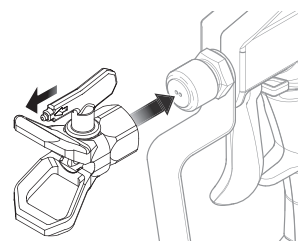
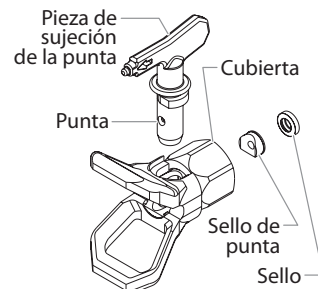
25. Arranque el motor.
26. Mueva la válvula PRIME/SPRAY a la posición SPRAY.
27. Tire completamente de la palanca de pulverización en la manilla del carro para accionar la pistola pulverizadora. Pruebe el patrón de pulverización y la posición de la línea en un trozo grande de fieltro impermeable o cartón. Revise que la anchura y la posición de la línea sean las adecuadas. Si se necesita realizar ajustes a la posición de la pistola pulverizadora, consulte el procedimiento "Configuración" descrito anteriormente en esta sección.
28. Asegúrese de que la pistola de pulverización se apague completamente al soltar el gatillo de la pistola. Si se necesita realizar ajustes a la tensión del gatillo, consulte el procedimiento "Ajuste de tensión del gatillo" en la sección Mantenimiento de este manual.
29. Comience a trazar líneas.
 - a. Ubique el trazalíneas levemente por delante del camino a trazar.
 - b. Comience a caminar con el trazalíneas y accione la pistola al comienzo del camino a trazar.
 - c. Al final del camino a trazar, suelte el gatillo y continúe caminando una distancia corta, de ser posible.

NOTA: Para producir una línea pintada de manera uniforme de inicio a fin, accione la pistola después de que el trazalíneas esté en movimiento y suéltelo antes de que se detenga. Si el camino a trazar termina en un obstáculo, suelte el gatillo en el momento exacto en que el trazalíneas se detenga.

Acople de la protección de punta y la punta

Use el siguiente procedimiento para instalar la protección de punta y la punta en la pistola pulverizadora.

1. Realice el "Procedimiento de liberación de presión" que se describe en el manual del propietario del pulverizador.
2. Con un pieza de sujeción de la punta, inserte el sello de la punta y el sello en la parte posterior de la cubierta. Presione para el ajuste final.
3. Inserte la punta en la ranura de la cubierta.
4. Rosque la cubierta en la pistola. Coloque la cubierta en la posición de pulverización que desee y luego apriete firmemente con la mano.



NOTA: La flecha en la pieza de sujeción de la boquilla debe apuntar hacia delante para pulverizar.

Procedimiento para aliviar la presión



No deje de seguir el procedimiento para aliviar la presión cuando apague la unidad por cualquier motivo, incluso el servicio o ajuste de alguna pieza del sistema de rociado, cambio o limpieza de las puntas rociadoras o la preparación para la limpieza.

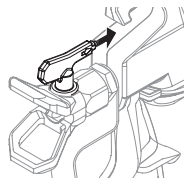
1. Bloquee la pistola girando el seguro de su gatillo a la posición bloqueada. Si es necesario, suelte la perilla de ensamblaje de soporte de la pistola y enganche el seguro del gatillo. Mueva la pistola a la posición original y apriete el botón del ensamblaje de soporte de la pistola.
2. Gire el regulador de control de presión de DirectLink completamente en el sentido de las agujas del reloj hasta el mínimo.
3. Mueva la válvula PRIME/SPRAY a la posición PRIME.
4. Apague el pulverizador presionando y manteniendo presionado el interruptor de apagado del motor hasta que el motor se apague.
5. Desbloquee la pistola girando el seguro de su gatillo a la posición desbloqueada.
6. Tire completamente de la palanca de pulverización en la manilla del carro para accionar la pistola pulverizadora y liberar cualquier presión que quede en la manguera.
7. Bloquee la pistola girando el seguro de su gatillo a la posición bloqueada. Si es necesario, suelte la perilla de ensamblaje de soporte de la pistola y enganche el seguro del gatillo. Mueva la pistola a la posición original y apriete el botón del ensamblaje de soporte de la pistola.



Cómo descongestionar la punta de pulverización

Si el patrón de atomización llegara a distorsionarse o se detuviera por completo mientras se dispara la pistola, siga estos pasos.

1. Coloque una plancha de cartón o un balde pequeño bajo la pistola pulverizadora para recibir la pintura.
2. Gire la punta 180° para que la flecha de la pieza de sujeción apunte en la dirección opuesta a la dirección de pulverización.



NOTA: Si cuesta girar la punta de pulverización, libere presión al 1) girar lentamente la perilla PRIME/SPRAY hasta la posición PRIME, 2) desbloquear la pistola de pulverización y 3) apretar el gatillo mientras apunta hacia un pedazo de material o cartón. Suelte el gatillo, bloquee la pistola de pulverización e intente girar nuevamente la boquilla de pulverización.

3. Asegúrese de que la perilla PRIME/SPRAY esté en la posición SPRAY. Desbloquee la pistola rociadora.
4. Apriete una vez el gatillo de la pistola para que la presión pueda limpiar la obstrucción.

IMPORTANTE: Nunca apriete el gatillo más de una vez cuando la boquilla esté en la posición de retroceso.

5. Siga este procedimiento hasta que la punta quede libre de obstrucciones.



No intente limpiar la punta con sus dedos. No utilice una aguja u otro artículo con punta afilada para limpiar la punta de pulverización. El carburo de tungsteno duro es quebradizo y se puede desportillar.

Cambio de la punta

Puede retirar y reemplazar fácilmente las puntas sin desmontar la pistola.

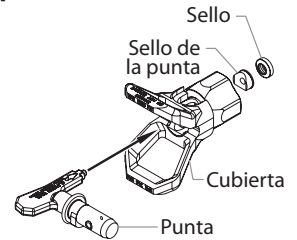


Nunca intente cambiar o limpiar la boquilla o la protección de boquilla sin realizar antes el "Procedimiento de liberación de presión".

1. Realice el "Procedimiento de liberación de presión" que se describe en el manual del propietario del pulverizador.
2. Retire la punta de la ranura de la cubierta.
3. Inserte la punta nueva en la ranura de la cubierta. La flecha en la pieza de sujeción de la punta debe apuntar hacia adelante para pulverizar.

Retiro de la sello y de la junta de la punta

1. Retire la punta y su cubierta de la pistola pulverizadora.
2. Inserte la pieza de sujeción de la punta por la parte delantera de la cubierta.
3. Empuje la junta y su junta de la boquilla por la parte posterior de la cubierta.



Identificación de tamaños de las puntas

Para identificar los tamaños de las punta, utilice la siguiente fórmula. En este ejemplo se utilizará un tamaño de punta "1908".

Los últimos dos dígitos divididos por dos representan el tamaño del patrón de pulverización al pulverizar a 6" de distancia de la superficie de trabajo:

$$08 \div 2 = 4" \text{ (10 cm) de patrón de pulverización}$$

Los primeros dos dígitos representan el diámetro del orificio en la boquilla:

$$19 = \text{orificio de } .019" \text{ (0.48 mm)}$$

NOTA: Las puntas de pulverización desgastadas afectarán negativamente el patrón de pulverización, generando una reducción de la producción, un acabado deficiente y un desperdicio de material. Reemplace inmediatamente las boquillas desgastadas.

Estarcido

Para estarcir con este trazalíneas, pase pulverizando varias veces de derecha a izquierda sobre el esténcil con la pistola pulverizadora conectada en su soporte. También puede sacar la pistola pulverizadora y usarla en forma independiente del trazalíneas.

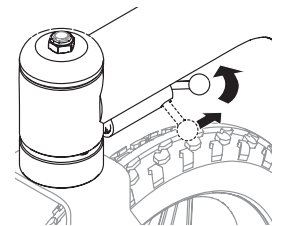
Para sacar la pistola pulverizadora:

1. Realice el Procedimiento de liberación de presión que se indica en la sección Operación de este manual.
2. Suelte la perilla de bloqueo del soporte de la pistola que se encuentra encima de él.
3. Saque la pistola pulverizadora del soporte.

Operación de la roldana delantera

La roldana delantera en el carro está diseñada para seguir al pulverizador en una línea recta o para permitir un trazado de líneas independiente de la rueda. Para ajustar la roldana delantera:

1. Tire de la manilla que está al lado de la roldana hacia arriba y vuélvala a su posición para liberar la rueda y permitir un trazado independiente.
2. Para asegurar la rueda en su posición original, tire de la manilla hacia abajo. Una vez que la rueda frontal está en posición recta nuevamente, dicha rueda se asegurará en su posición original.



Limpieza



Instrucciones de limpieza especiales para usar con solventes inflamables:

- Siempre lave la pistola rociadora preferiblemente afuera y alejada por lo menos un largo de manguera de la bomba rociadora.
- Si recoge los solventes lavados en un recipiente metálico de un galón, colóquelo en un recipiente vacío de cinco galones, luego lave los solventes.
- El área debe estar libre de vapores inflamables.
- Siga todas las instrucciones de limpieza.

IMPORTANTE: Deben limpiarse el rociador, la manguera y la pistola totalmente después del uso diario. De lo contrario, se permite la acumulación de material, afectando seriamente el rendimiento de la unidad.



Siempre rocíe con la presión mínima y sin la boquilla de la pistola al utilizar alcoholes minerales u otros solventes para limpiar el rociador, la manguera o la pistola. La acumulación de electricidad estática puede producir un incendio o explosión en la presencia de vapores inflamables.

1. Siga el "Procedimiento de alivio de presión" de la sección Operación de este manual.
2. Retire la punta de la pistola y la protección y limpie con un cepillo usando el solvente adecuado.
3. Coloque el tubo del sifón en un recipiente con el solvente adecuado (consulte las recomendaciones del fabricante del material). Un ejemplo del solvente adecuado es el agua para la pintura látex.
4. Coloque la tubo de retorno en un recipiente metálico para desecho.
5. Mueva hacia abajo la válvula PRIME/SPRAY a su posición PRIME.
6. Arranque el motor.
7. Gire lentamente el regulador de control de presión de DirectLink en el sentido contrario al de las agujas del reloj para aumentar la presión, hasta que empiece a salir líquido por la manguera de retorno. Use sólo la presión suficiente para mantener la salida de líquido.
8. Permita que el líquido circule a través del pulverizador y retire la pintura de la manguera de retorno hacia el recipiente metálico de desechos.
9. Apague el pulverizador presionando y manteniendo presionado el interruptor de apagado del motor hasta que el motor se apague.
10. Coloque un recipiente metálico de desechos bajo la pistola de pulverización para recibir la pintura y el solvente.
11. Arranque el motor.
12. Mueva la válvula PRIME/SPRAY a la posición SPRAY.
13. Gire lentamente el regulador de control de presión de DirectLink en el sentido contrario al de las agujas del reloj para aumentar la presión.
14. Tire completamente de la palanca de pulverización en la manilla del carro para accionar la pistola pulverizadora. Comenzará a fluir líquido a través de la manguera de pulverización hasta salir de la pistola.
15. Continúe tirando la palanca de pulverización de la manilla del carro hasta que salga todo el material de la manguera y el solvente que salga de la pistola esté limpio.
16. Suelte la palanca de pulverización.



NOTA: Para el almacenamiento a largo plazo o en temperaturas frías, haga pasar Pump Saver™ a través del sistema completo.

17. Siga el "Procedimiento de alivio de presión" de la sección Operación de este manual.
18. Desenchufe la unidad y almacénela en un área limpia y seca.

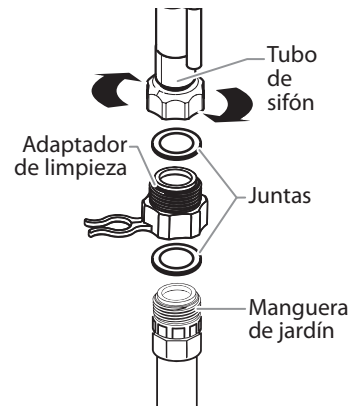
IMPORTANTE: No almacene la unidad bajo presión.

Limpieza especial

IMPORTANTE: Realice el siguiente procedimiento después de pulverizar solamente con materiales a base de agua.

Realice el siguiente procedimiento cuando las válvulas del pulverizador estén atascadas o al preparar el pulverizador para ser almacenado por períodos largos. Se necesita usar un adaptador de limpieza de bomba que se acople al fondo del tubo de sifón (el adaptador de limpieza de la bomba viene incluido con el pulverizador).

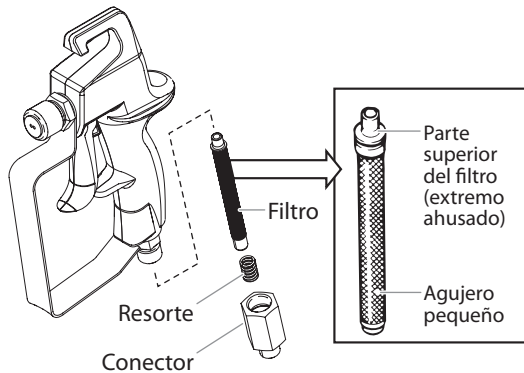
1. Bloquee la pistola y retire el conjunto de la boquilla del pulverizador. Si es necesario, suelte la perilla de ensamblaje de soporte de la pistola y enganche el seguro del gatillo. Mueva la pistola a la posición original y apriete el botón del ensamblaje de soporte de la pistola. Coloque el tubo de succión y el tubo de retorno en un recipiente de desechos vacío.
2. Use una manguera de jardín para enjuagar el tubo de sifón, la manguera de retorno y el filtro de entrada. Vacíe el recipiente de desechos.
3. Retire el filtro de entrada del tubo de succión y colóquelo en un recipiente de desechos.
4. Verifique que los sellos estén presentes dentro del adaptador y el tubo de succión. Enrosque el adaptador de limpieza de bomba a una manguera de jardín. Conecte la manguera y el adaptador a la conexión que se encuentra en el extremo del tubo de sifón.
5. Desenganche la manguera de retorno del tubo de sifón y colóquela en el recipiente de desechos.
6. Mueva hacia abajo la válvula PRIME/SPRAY a su posición PRIME.
7. Abra el suministro de agua.
8. Arranque el motor. El agua entrará en el tubo de sifón y saldrá a través de la manguera de retorno. Deje que el pulverizador funcione por unos minutos para permitir que se lave la manguera de retorno.
9. Apague el pulverizador presionando y manteniendo presionado el interruptor de apagado del motor hasta que el motor se apague.
10. Coloque un recipiente metálico de desechos bajo la pistola de pulverización para recibir la solución de limpieza.
11. Arranque el motor.
12. Mueva la válvula PRIME/SPRAY a la posición SPRAY.
13. Gire lentamente el regulador de control de presión de DirectLink en el sentido contrario al de las agujas del reloj para aumentar la presión.
14. Tire completamente de la palanca de pulverización en la manilla del carro para accionar la pistola pulverizadora. Comenzará a fluir líquido a través de la manguera de pulverización hasta salir de la pistola.
15. Continúe tirando la palanca de pulverización de la manilla del carro hasta que salga todo el material de la manguera y el agua que salga de la pistola esté limpia.
16. Suelte la palanca de pulverización.
17. Siga el "Procedimiento de alivio de presión" de la sección Operación de este manual.



Limpieza/Reemplazo de filtro de pistola

Debe limpiarse este filtro cada vez que use el rociador. Al usar pinturas más espesas, puede ser necesario limpiar el filtro más seguido.

1. Siga el "Procedimiento de alivio de presión" de la sección Operación de este manual.
2. Destornille el conector de la parte inferior de la pistola rociadora usando una llave ajustable, fijándose en no perder el resorte.
3. Retire el filtro del alojamiento de la pistola rociadora y limpie el filtro con un cepillo y la solución adecuada de limpieza (agua jabonosa tibia para las pinturas látex, alcoholes minerales para las pinturas con aceite).
4. Inspeccione el filtro en busca de agujeros. Si agujeros son funda, reemplaza.



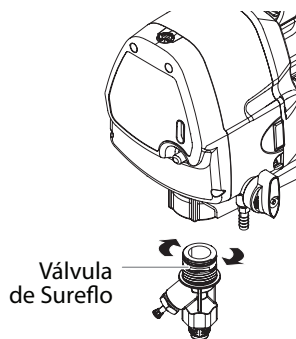
NOTA: Nunca perforo el filtro con un instrumento afilado.

5. Vuelva a colocar el filtro limpio, con el extremo aguzado primero, dentro del alojamiento de la pistola. El extremo aguzado del filtro debe cargarse correctamente en la pistola. El ensamblado incorrecto ocasionará una boquilla obstruida o bloqueará el flujo de la pistola.
6. Ensamblaje de la pistola rociadora.

Limpieza de ensamblaje de válvula de Sureflo™

Tal vez sea necesario limpiar o reparar la válvula de entrada si la unidad presenta problemas de imprimación.

1. Retire el tubo de sifón.
2. Desenrosque el ensamblaje de la válvula de Sureflo del rociador. Inspeccione visualmente el interior y el exterior del ensamblaje de la válvula de Sureflo. Limpie todo resto de pintura con una solución de limpieza adecuada.
3. Utilice una capa fina de vaselina para lubricar la válvula de Sureflo. Coloque nuevamente el ensamblaje de la válvula de Sureflo enroscándola en el rociador.
4. Instale el tubo de sifón. Apriete manualmente.



NOTA: Si continúa teniendo problemas de imprimación, tal vez deba reemplazar el ensamblaje de la válvula de entrada. Llame al Servicio Técnico para pedir un nuevo ensamblaje de válvula de Sureflo.

Mantenimiento



Antes de proceder, siga el Procedimiento de alivio de presión presentado anteriormente en este manual. Además, siga todas las otras advertencias para reducir el riesgo de una lesión por inyección, lesiones por piezas en movimiento o choque eléctrico.

Notas generales de reparación y servicio

Se necesitan las herramientas siguientes para reparar el rociador:

Destornillador de paleta Herramienta de cabeza T20 Torx
Alicates de punta Llave ajustable

1. Antes de reparar alguna parte del rociador, lea minuciosamente las instrucciones, incluidas todas las advertencias.

IMPORTANTE: Nunca tire del cable para desconectarlo. Al hacerlo podría soltarse el conector del cable.

2. Pruebe su reparación antes de usar rociador normalmente para verificar que se haya resuelto el problema. Si el rociador no funciona bien, revise el procedimiento de reparación para determinar si todo se ha realizado en forma correcta. Consulte los cuadros de Solución de problemas para ayudar a identificar otros problemas posibles.
3. Compruebe que el área de servicio esté bien ventilada en caso de que se estén utilizando solventes durante la limpieza. Al hacer el mantenimiento siempre use gafas de protección. Puede que se necesite equipo protector adicional dependiendo del tipo de solvente de limpieza. Siempre pida recomendaciones al proveedor de solventes.
4. Si tiene otras preguntas referentes al rociador Titan, llame a Titan:

Servicio al cliente (EE.UU.)..... **1-800-526-5362**

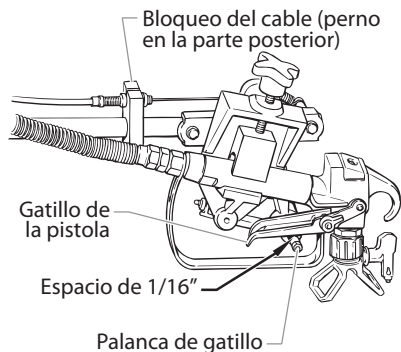
Fax **1-800-528-4826**

Ajuste de la tensión del gatillo

Utilice el siguiente procedimiento para ajustar la tensión del resorte de la palanca de gatillo en el conjunto de soporte de la pistola. La palanca de gatillo tira y suelta el gatillo de la pistola pulverizadora cuando se opera con el gatillo del carro. La tensión correcta garantiza que la pistola se apagará cuando se suelte el gatillo. Para garantizar la tensión correcta, debe haber un espacio de aproximadamente 1/16" entre la palanca de gatillo y el gatillo de la pistola pulverizadora.

IMPORTANTE: Mantenga siempre el seguro del gatillo de la pistola pulverizadora en la posición bloqueada mientras ajusta el sistema. Si es necesario, suelte la perilla de ensamblaje de soporte de la pistola y enganche el seguro del gatillo. Mueva la pistola a la posición original y apriete el botón del ensamblaje de soporte de la pistola.

1. Use una llave de 9/16", para soltar el perno en el bloqueo del cable.
2. Mueva el bloqueo del cable en la dirección correcta para crear un espacio de 1/16" entre la palanca de gatillo y el gatillo de la pistola pulverizadora.
 - a. Deslice el bloqueo del cable hacia la pistola para aumentar el espacio entre la palanca de gatillo y el gatillo de la pistola pulverizadora.
 - b. Deslice el bloqueo del cable lejos de la pistola para disminuir el espacio entre la palanca de gatillo y el gatillo de la pistola pulverizadora.



3. Apriete firmemente el tornillo de hexagonal.

Mantenimiento del motor

NOTA: Para conocer las especificaciones y el mantenimiento del motor, consulte el manual del motor por separado que se proporciona con este pulverizador.

Mantenimiento de rutina del motor

Diariamente

- Revise y llene el tanque de gasolina.
- Después de las primeras 20 horas de funcionamiento, drene el aceite y vuelva a llenar con aceite limpio. Revise el nivel de aceite del motor y llene según sea necesario.

Semanalmente

- Retire la cubierta del filtro de aire y limpie el elemento. Reemplace el elemento si fuese necesario. Si opera la unidad en un entorno inusualmente sucio, revise el filtro diariamente y reemplácelo si fuese necesario. (Puede adquirir los repuestos por medio de su distribuidor local de Titan).
- Después de cada 50 horas de funcionamiento: cambie el aceite del motor.

Interruptor de corte de seguridad

El interruptor de corte de seguridad viene previamente ajustado desde la fábrica para apagar el pulverizador de modo de evitar una sobrepresurización. No intente ajustar ni intervenir el interruptor de corte de seguridad. Comuníquese con un centro de servicio técnico autorizado si se debe ajustar la configuración.

NOTA: El interruptor de corte de seguridad se debe ajustar para apagar el pulverizador entre 220 a 227 bar (3200 a 3300 PSI).

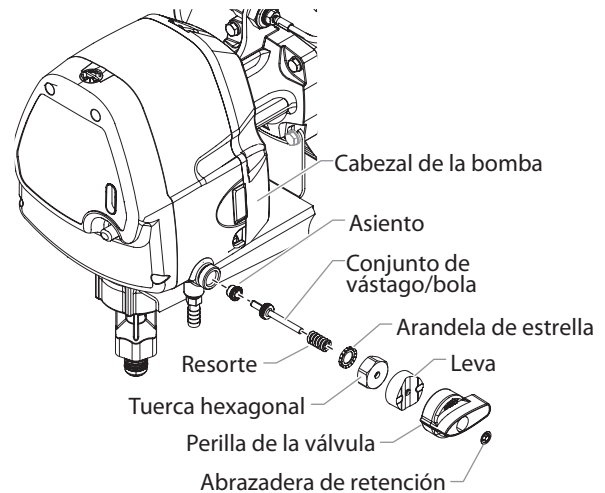
Reemplazo de la válvula PRIME/SPRAY

Realice el siguiente procedimiento con el kit de reemplazo de la válvula PRIME/SPRAY N°/P 759-380.



Antes de proceder, siga el Procedimiento de alivio de presión presentado anteriormente en este manual. Además, siga todas las otras advertencias para reducir el riesgo de una lesión por inyección, lesiones por piezas en movimiento o choque eléctrico.

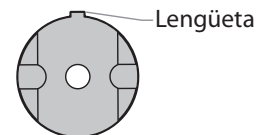
1. Haga palanca para sacar la abrazadera de retención desde la porción ranurada de la perilla de la válvula. Quite la perilla de la válvula.
2. Deslice la leva hasta sacarla del conjunto de vástago/bola.
3. Retire la tuerca hexagonal del cabezal de la bomba con una llave.
4. Retire la arandela de estrella, el resorte y el conjunto de vástago/bola desde el cabezal de la bomba.
5. Retire el asiento del conjunto de vástago/bola desde el cabezal de la bomba con una llave hexagonal de 7/32".



6. Apriete el nuevo asiento del conjunto de vástago/bola en el cabezal de la bomba. Use una llave hexagonal de 7/32 pulgadas. Apriete de 6 a 8 lb-pies.
7. Aplique una capa ligera de aceite hidráulico alrededor de la junta tórica en el nuevo conjunto de vástago/bola.
8. Presione el conjunto de vástago/bola hasta que entre en el asiento del conjunto de vástago/bola en el cabezal de la bomba.
9. Coloque el nuevo resorte y arandela de estrella alrededor del conjunto de vástago/bola.
10. Deslice la nueva tuerca hexagonal hacia el vástago del conjunto de vástago/bola, enrósquelo en el cabezal de la bomba y apriételo con una llave. Apriete la tuerca de 12 a 14 lb-pie.
11. Aplique una capa ligera de grasa a la parte superior de la leva.
12. Deslice la nueva leva hacia el vástago del conjunto de vástago/bola y sobre la tuerca hexagonal. El diseño de la leva permitirá que la tuerca hexagonal encaje dentro de ella, lo que causará que la leva quede bloqueada en su posición.

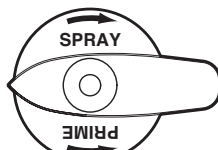
NOTA: Ubique la leva en la tuerca hexagonal de modo que la lengüeta en el lado de la leva esté lo más cerca posible de la posición de las 12:00.

Lengüeta en la leva en la posición 12:00



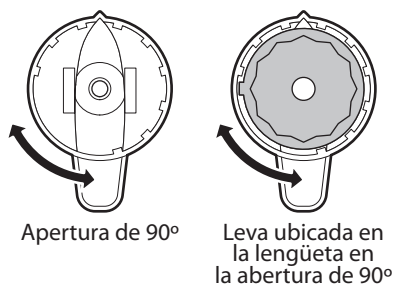
13. Coloque la nueva perilla de la válvula PRIME/SPRAY sobre la leva con el indicador en la perilla lo más cerca posible de la posición de las 9:00. Asegúrese de que la perilla esté presionada completamente al interior de la leva (la perilla debe cubrir completamente la leva).

Indicador en la perilla de la válvula en la posición 9:00



NOTA: La perilla está diseñada para permitir un movimiento en 90° entre las posiciones SPRAY y PRIME. El interior de la perilla tiene una abertura de 90° en su circunferencia donde se debe ubicar la lengüeta de la leva para permitir este movimiento. Al colocar la perilla con la flecha en la posición 9:00, asegúrese de que la lengüeta en la leva esté dentro de la abertura de 90° en el interior de la perilla. Luego, asegúrese de que la perilla esté al final de su movimiento en el sentido de las agujas del reloj (esta es la posición SPRAY) antes de continuar con este procedimiento.

Parte trasera de la perilla de la válvula PRIME/SPRAY



14. Gire lentamente la perilla en el sentido contrario al de las agujas del reloj hasta que la parte inferior de la perilla quede al ras con la parte inferior de la leva (aproximadamente 5 a 7°).
15. Coloque la abrazadera de retención sobre el vástago del conjunto de vástago/bola donde el vástago pase a través de la porción ranurada de la perilla.
16. Presione el sujetador hacia el interior de la porción ranurada de la perilla con una herramienta para tuercas de 5/16" (8 mm), ejerciendo una presión constante y uniforme hasta que se detenga.

IMPORTANTE: No martille o sacuda el sujetador para ponerlo en su posición. Esto le causará daños al sujetador.

17. Gire la perilla PRIME/SPRAY a la posición PRIME.
18. Arranque el pulverizador y haga pasar agua a través del sistema para comprobar que no haya fugas. Si no las hay, el pulverizador está listo para su uso.

Servicio a la sección de líquidos

Use los procedimientos siguientes para dar servicio a las válvulas y volver a poner empaquetaduras en la sección de líquidos.

NOTA: El juego para volver a colocar la empaquetadura N°/P 759-365 se encuentra disponible. Para obtener mejores resultados, use todas las piezas que se proporcionan en este juego.

Desmontaje de la sección de fluidos

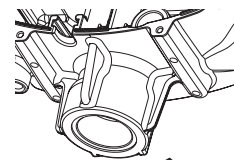


Antes de proceder, siga el Procedimiento de alivio de presión presentado anteriormente en este manual. Además, siga todas las otras advertencias para reducir el riesgo de una lesión por inyección, lesiones por piezas en movimiento o choque eléctrico.

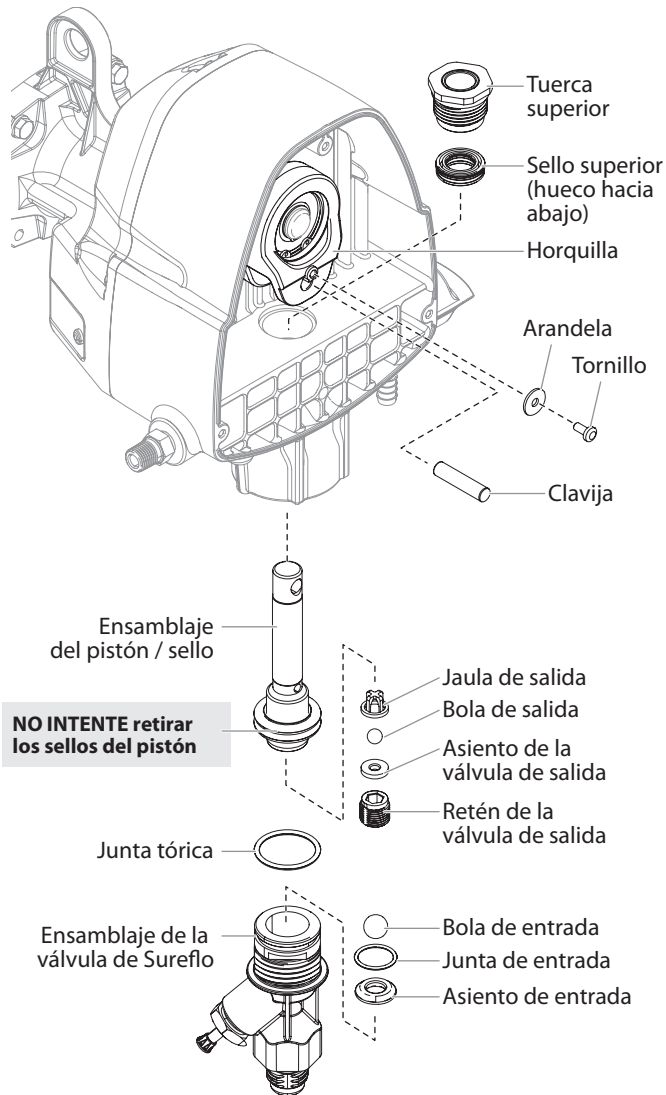
1. Retire el juego de succión.
2. Retire la cubierta delantera y los cuatro (4) tornillos que la aseguran usando una herramienta de cabeza T20 Torx.
3. Quite el tornillo de horquilla y la arandela que asegura la clavija. La clavija conecta la horquilla al pistón.
4. Usando los alicates, extraiga la clavija.
5. Gire el eje de la bomba de manera que el pistón esté en la posición de punto muerto superior. Esto se puede realizar empujando la horquilla. Esto es necesario para desarmar todas las piezas.
6. Destornille y quite el ensamblaje de la válvula de Sureflo (consulte la página 33).
7. Retire el ensamble del pistón empujando hacia abajo el pistón cerca de la horquilla.
8. Destornille y quite la tuerca superior usando una llave ajustable.
9. Retire el sello desgastados usando un desarmador de cabeza plana o un punzón. Retire el sello superior de la parte de arriba presionando contra el costado del sello y desencajándolo. Tenga cuidado de no rayar el alojamiento donde se encuentran los sellos.
10. Limpie el área donde deben instalarse los sellos nuevos.

Ensamblaje de la sección de líquidos

1. Lubrique el sello superior nuevo con lubricante de Piston Lube (P/ N 314-480) o aceite casero liviano y ponga el sello con la mano (con el hueco del sello hacia abajo) dentro del orificio superior del alojamiento.
2. Ponga un poco de compuesto antiadherente (anti-seize) en la rosca de la tuerca. Ponga la tuerca superior en la parte de arriba del alojamiento y apriete con una llave ajustable. Esto instalará el sello superior en la posición correcta.
3. Lubrique el sello del pistón como lubricó el sello superior. Meta el conjunto de pistón y sello hasta el fondo del alojamiento. Inserte la herramienta plástica de inserción y empuje hasta que quede bien asentado el conjunto de pistón y sello. Retire la herramienta.
4. Coloque la nueva junta tórica en el ensamble de la válvula de Sureflo, lubrique con aceite de separación (P/N 314-480), atornille hasta el fondo (entrada) del alojamiento, y apriete con una llave ajustable. Así empujará el sello inferior hasta la posición correcta.
5. Alinee el pistón con la horquilla. Puede usarse un mazo de hule. Tenga cuidado de no dañar el pistón.
6. Aplique cualquier tipo de grasa de uso doméstico que no sea a base de silicona al área del pistón y el yugo para prolongar la vida útil. Aplíquelo a los agujeros del yugo donde se inserta la espiga.



7. Instale el pasador de espiga para conectar el yugo al pistón. Es posible que se deba mover el pistón hacia arriba o hacia abajo para alinearlo con el yugo.
8. Instale el tornillo de horquilla y la arandela para asegurar la clavija.
9. Vuelva la bomba boca arriba y aplique una gota de lubricante de Piston Lube o aceite casero liviano entre la tuerca superior y el pistón. Esto prolongará la vida útil del sello.
10. Instale la cubierta delantera y los cuatro (4) tornillos.
11. Instale de la válvula de Sureflo. Instale el juego de succión.
12. Encienda el pulverizador siguiendo el procedimiento que se indica en la sección "Operación" de este manual y revise que no hayan fugas.

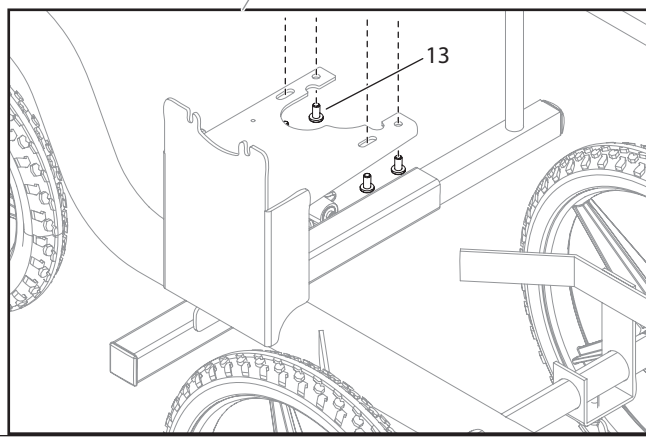
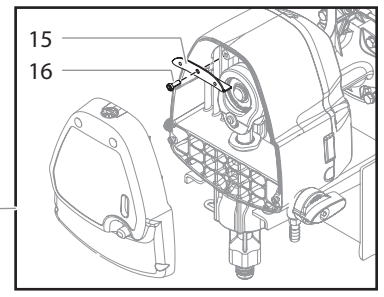
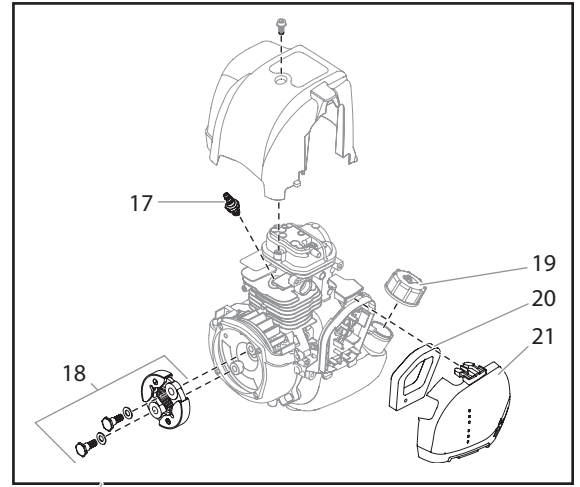
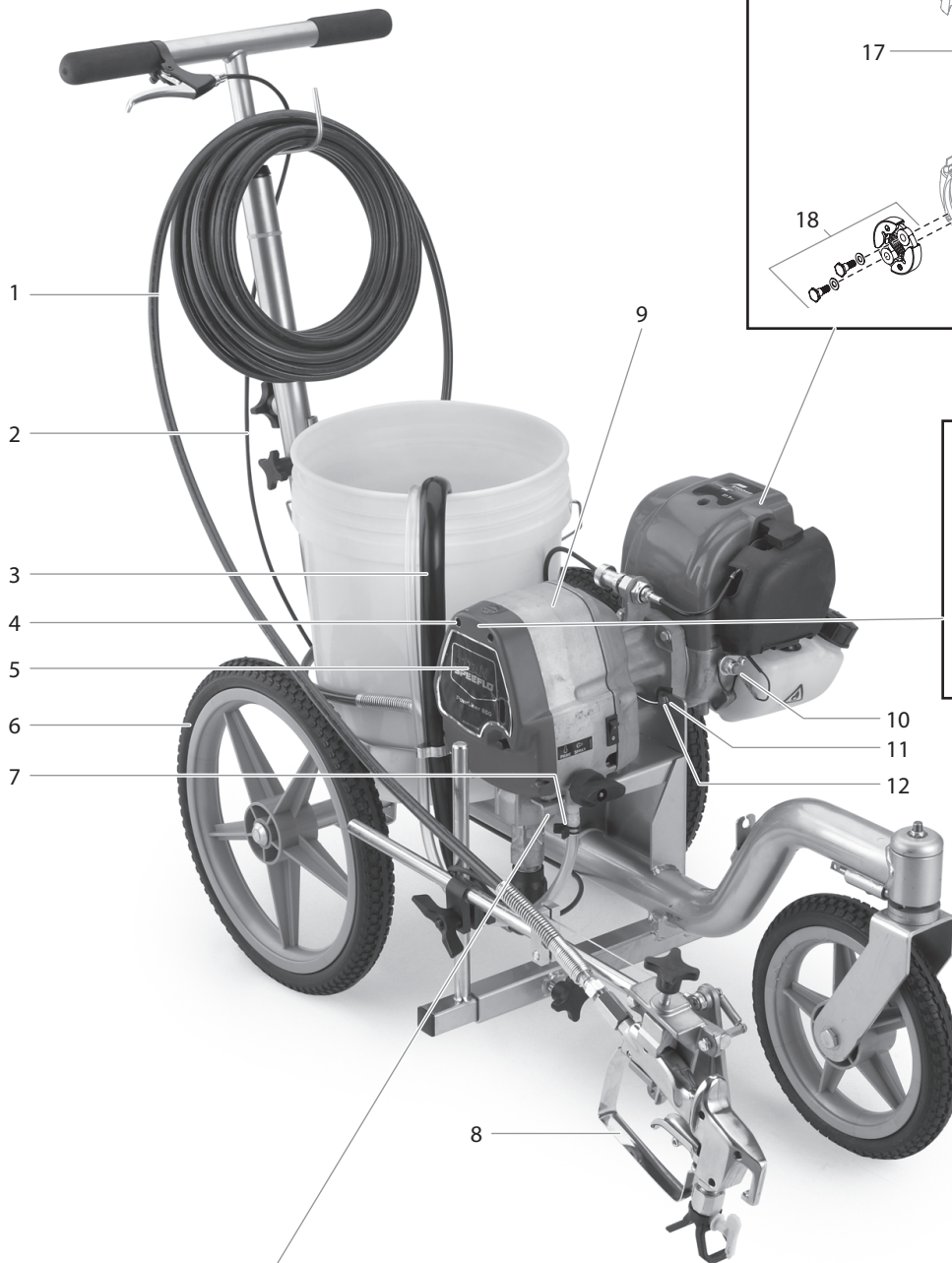


Solución de problemas

Problema	Causa	Solución
A. No funciona la unidad.	<ol style="list-style-type: none"> 1. Ajuste de presión demasiado bajo. 2. Conexiones defectuosas o sueltas. 3. El tanque de gasolina está vacío. 	<ol style="list-style-type: none"> 1. Gire lentamente el regulador de control de presión de DirectLink en el sentido contrario al de las agujas del reloj para aumentar la presión. 2. Inspeccione o lleve a un centro de servicio autorizado por Titan. 3. Llene el tanque de gasolina.
B. No se ceba la unidad.	<ol style="list-style-type: none"> 1. La válvula PRIME/SPRAY está en la posición SPRAY. 2. Fuga de aire en el tubo de sifón/juego de succión. 3. El filtro de de entrada está obstruido. 4. El tubo de sifón/juego de succión está obstruido. 	<ol style="list-style-type: none"> 1. Gire la válvula PRIME/SPRAY en la dirección de las agujas del reloj hasta la posición PRIME. 2. Compruebe la conexión del tubo de sifón/juego de succión y apriete o vuelva a asegurar la conexión con cinta PTFE. 3. Quite el elemento del filtro de bomba y límpielo. Quite la malla de entrada y límpiela. 4. Quite el tubo de sifón/juego de succión y límpielo.
C. La unidad no crea presión ni la mantiene.	<ol style="list-style-type: none"> 1. La punta rociadora está desgastada. 2. La punta rociadora es demasiado grande. 3. El filtro de la pistola o la malla de entrada están obstruidos. 4. El material fluye desde la manguera de retorno cuando la válvula PRIME/SPRAY está en la posición SPRAY. 5. Fuga de aire en el tubo de sifón/juego de succión. 6. Existe una fuga de fluido externa. 7. Existe una fuga en la sección de líquidos interna (las empaquetaduras están desgastadas o sucias, las bolas de las válvulas están desgastadas). 8. Los asientos de las válvulas están desgastados. 	<ol style="list-style-type: none"> 1. Quite la punta rociadora siguiendo las instrucciones suministradas con la pistola rociadora. 2. Reemplace la punta rociadora por una punta que tenga un orificio más pequeño siguiendo las instrucciones suministradas con la pistola rociadora. 3. Quite el elemento del filtro de bomba y límpielo. Quite el filtro de la pistola y límpielo. Quite la malla de entrada y límpiela. 4. Limpie o reemplace la válvula PRIME/SPRAY. 5. Compruebe la conexión del tubo de sifón/juego de succión y apriete o vuelva a asegurar la conexión con cinta PTFE. 6. Compruebe todas las conexiones en busca de fugas externas. Apriete las conexiones, si fuese necesario. 7. Limpie las válvulas y de servicio a la sección de líquidos siguiendo el procedimiento de "Servicio a la sección de líquidos" de la sección de Mantenimiento de este manual. 8. Invierta o reemplace los asientos de las válvulas siguiendo el procedimiento de "Servicio a la sección de líquidos" de la sección de Mantenimiento de este manual.
D. Fuga de fluido en el extremo superior de la sección de líquidos.	<ol style="list-style-type: none"> 1. Las empaquetaduras superiores están desgastadas. 2. La vara del pistón está desgastada. 	<ol style="list-style-type: none"> 1. Vuelva a poner las empaquetaduras siguiendo el procedimiento de "Servicio a la sección de líquidos" de la sección de Mantenimiento de este manual. 2. Reemplace el vástago del pistón siguiendo el procedimiento de "Servicio a la sección de líquidos" de la sección de Mantenimiento de este manual.
E. Presión excesiva en la pistola del rociador.	<ol style="list-style-type: none"> 1. El tipo de manguera rociadora sin aire es erróneo. 2. La punta rociadora está desgastada o es demasiado grande. 3. Presión excesiva. 	<ol style="list-style-type: none"> 1. Reemplace la manguera por una manguera rociadora sin aire con trenzado textil conectada a tierra de 1/4" con un largo mínimo de 50 pies (15 metros). 2. Reemplace la punta rociadora siguiendo las instrucciones suministradas con la pistola rociadora. 3. Gire el regulador de control de presión de DirectLink lentamente en el sentido de las agujas del reloj para disminuir la presión.
F. Patrón de atomización deficiente.	<ol style="list-style-type: none"> 1. La punta rociadora es demasiado grande para el material que se está utilizando. 2. Ajuste de presión incorrecto. 3. Paso de líquido insuficiente. 4. El material que se está rociando es demasiado viscoso. 	<ol style="list-style-type: none"> 1. Reemplace la punta rociadora con una punta rociadora nueva o más pequeña siguiendo las instrucciones suministradas con la pistola rociadora. 2. Ajuste el regulador de control de presión de DirectLink hasta lograr el patrón de pulverización deseado. 3. Limpie todas las mallas y filtros. 4. Añada solvente al material de acuerdo con las recomendaciones del fabricante.
G. La unidad no tiene alimentación.	<ol style="list-style-type: none"> 1. El ajuste de la presión es demasiado bajo. 	<ol style="list-style-type: none"> 1. Lleve a un centro de servicio autorizado por Titan.

Notas

Parts List • Liste de pièces • Lista de piezas
Main assembly • Vue d'ensemble • Ensamblaje principal



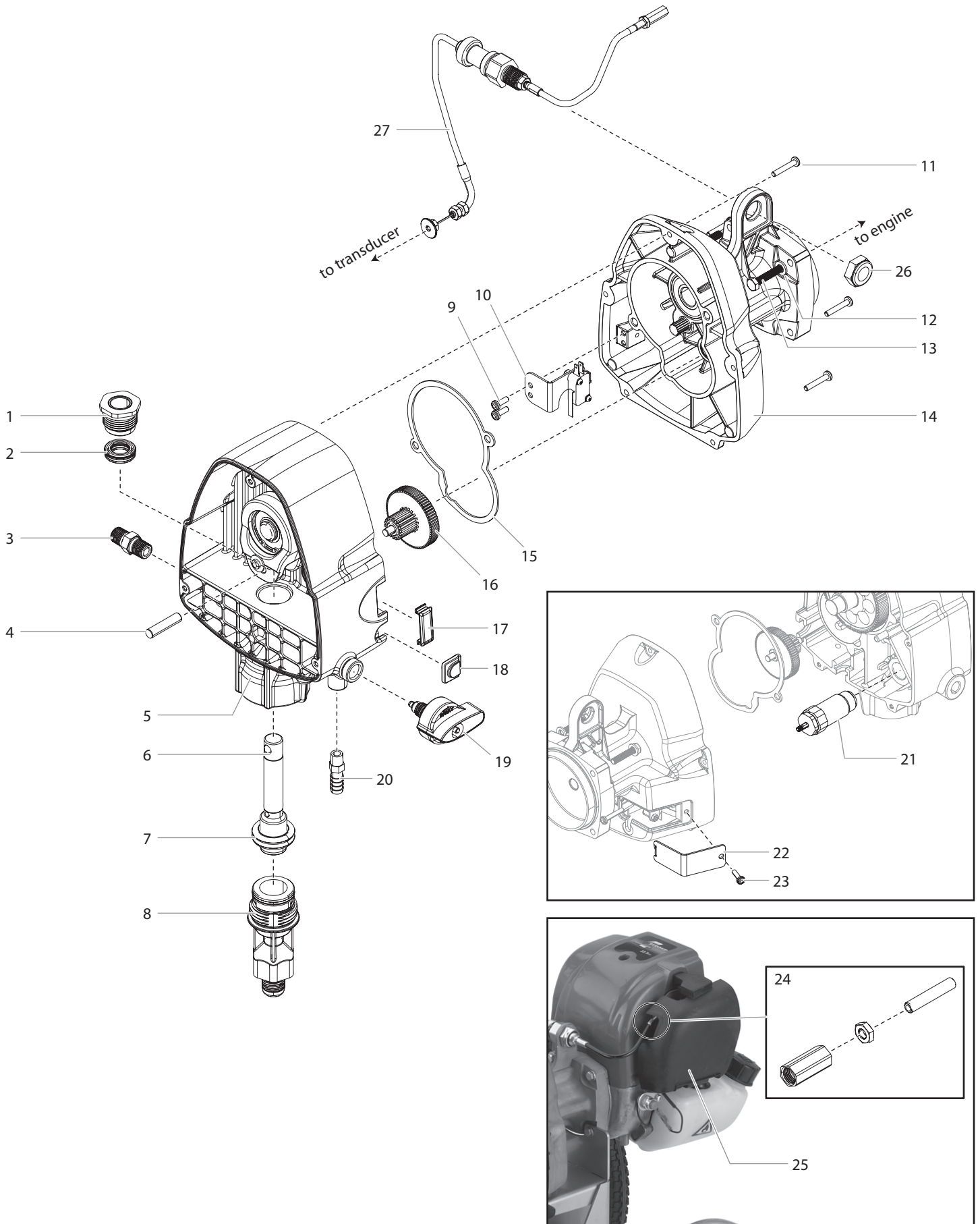
Item Article Artículo	Part No. N° de pièce Pieza No.	English Description	Français Description	Español Descripción	Quantity Quantite Cantidad
1	316-505	Spray hose	Flexible de pulvérisation	Manguera de pulverización	1
2	0293169	Gun cable	Câble de pistolet	Cable de la pistola	1
3	0293932	Suction set assembly	Dispositif d'aspiration	Conjunto de sifón	1
4	9805251	Front cover screw	Vis de couvercle	Tornillo de cubierta frontal	4
5	0293933	Front cover	Couvercle	Cubierta frontal	1
6	0293934	Cart assembly*	Ensemble de chariot*	Ensamblaje del carro*	1
7	0327226	Return tube clip	Agrafe de tube de retour	Abrazadera de tubo de retour	1
8	-----	Spray gun assembly*	Pistolet et ses composants*	Ensamblaje de pistola*	1
9	-----	Drive assembly*	Boîte d'engrenages*	Ensamblaje de la caja de engranajes*	1
10	0293930	Shutoff switch	Commutateur d'arrêt	Interruptor de corte	1
11	858-003	Washer	Rondelle	Arandela	2
12	759-107	Engine mounting screw	Vis de montage de moteur	Tornillo de montaje del motor	2
13	9805250	Gear housing mounting screw	Vis de montage de boîte d'engrenages	Tornillo de montaje de la caja de engranajes	4
14	0515281	Cleaning adapter	Adaptateur de nettoyage	Adaptador de limpieza	1
15	0523561	Mounting bracket	Support de montage	Soporte de montaje	1
16	9805251	Screw	Vis	Tornillo	1
17	0293925	Spark plug	Bougie d'allumage	Bujía de encendido	1
18	0293929	Clutch assembly	Bloc d'embrayage	Conjunto de embrague	1
19	0293928	Gas cap assembly	Bouchon de réservoir à essence	Conjunto de tapa de la gasolina	1
20	0293926	Filter	Filtre	Filtro	1
21	0293927	Filter cover	Couvercle de filtre	Tapa de filtro	1

* See separate listing

* voir liste séparée

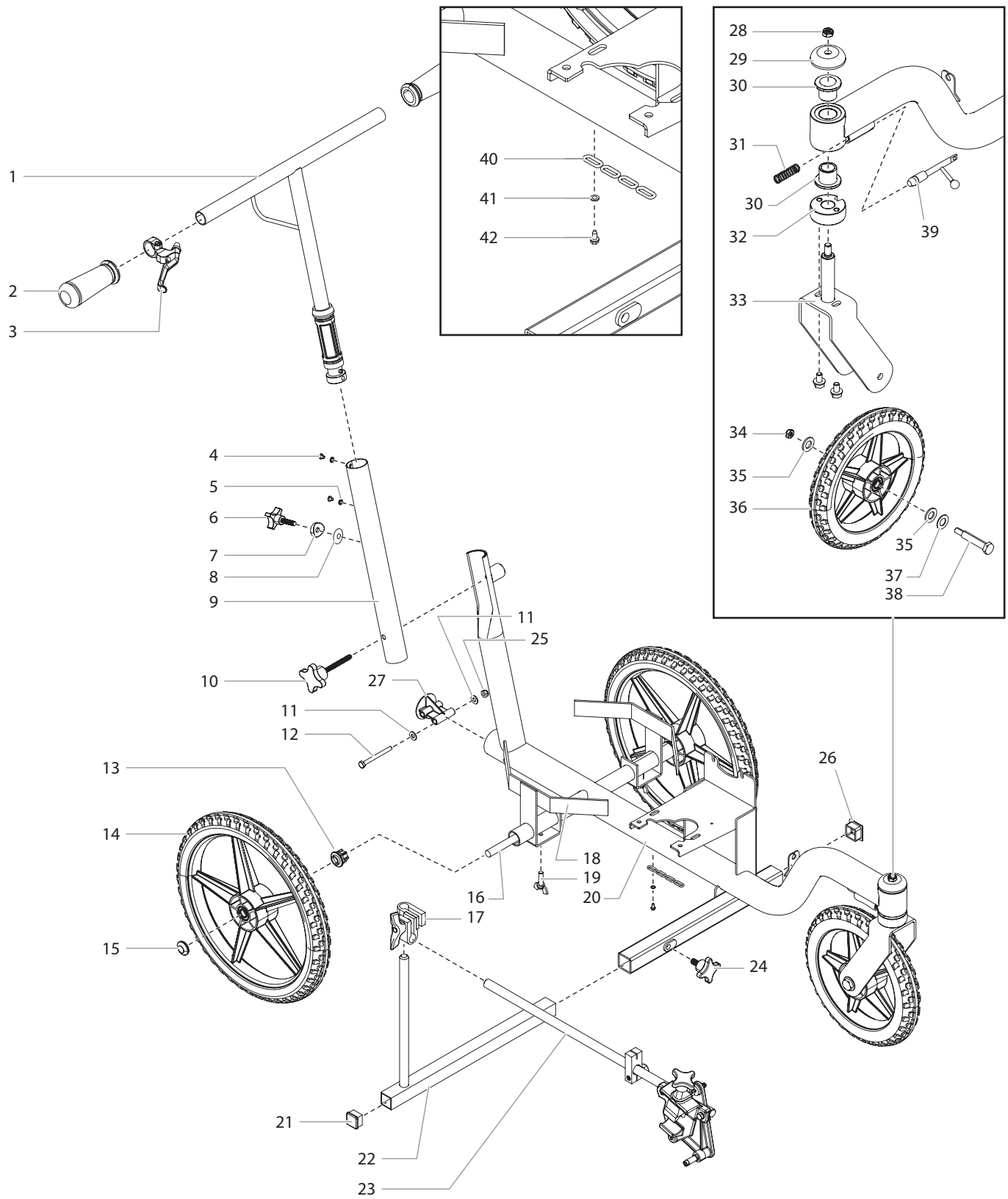
* Consulte la lista separada

Drive assembly • Boîte d'engrenages • Ensamblaje de la caja de engranajes



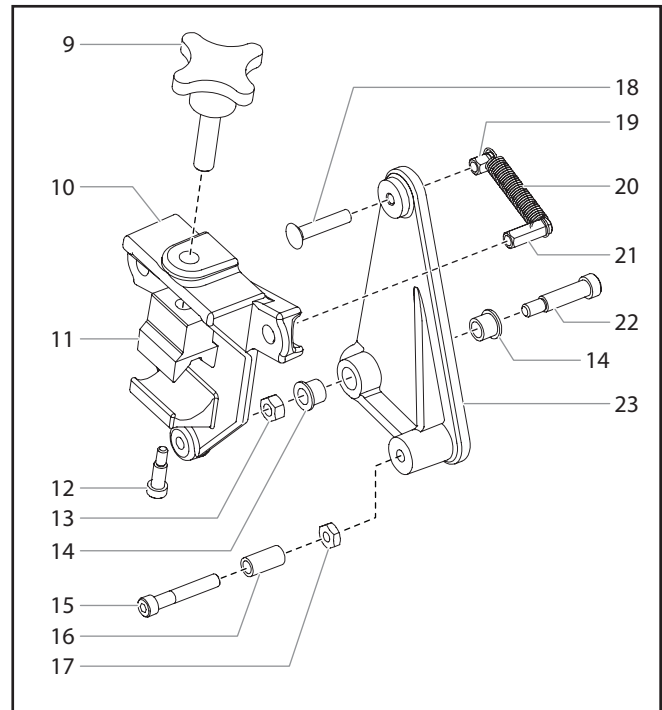
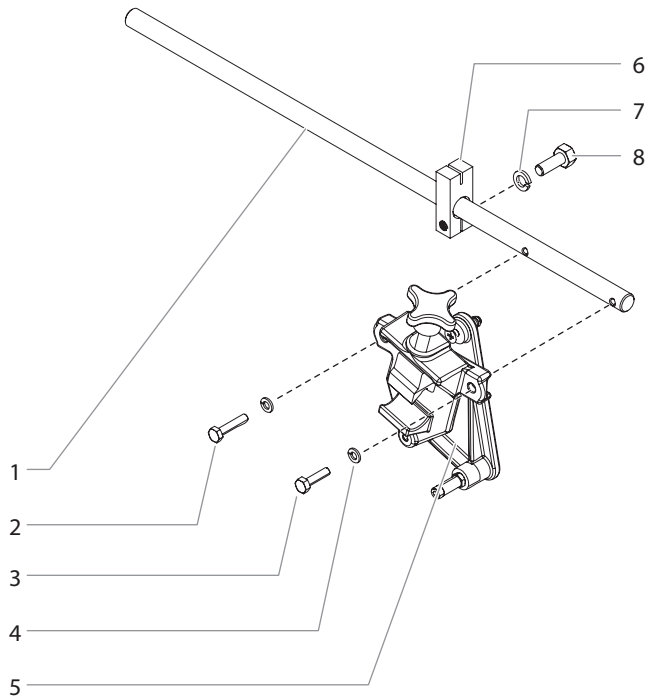
Item Article Artículo	Part No. N° de pièce Pieza No.	English Description	Français Description	Español Descripción	Quantity Quantite Cantidad
1	0512387	Top nut	Écrou supérieur	Tuerca superior	1
2	0516302	Upper packing	Joint supérieur	Sello superior	1
3	0516300	Hose fitting	Raccord de flexible	Conector de manguera	1
4	-----	Dowel pin	Goupille	Clavija	
5	0293931	Pump housing assembly (includes item 4)	Ensemble de carter d'engrenage (incluit le article 4)	Ensamblaje de carcasa de engranajes (incluye el artículo 4)	1
6	0290122	Piston assembly	Ensemble de piston	Ensamblaje del pistón	1
7	0512533	Lower seal	Joint inferior	Sello inferior	1
8	759-379	Sureflo valve assembly	Soupape de Sureflo	Válvula de Sureflo	1
9	9805251	Screw	Vis	Tornillo	2
10	0293935	Microswitch assembly	Ensemble de microcommutateur	Ensamblaje de microinterruptor	1
11	9805274	Screw	Vis	Tornillo	5
12	858-003	Washer	Rondelle	Arandela	2
13	759-107	Screw	Vis	Tornillo	2
14	0293936	Clutch assembly (includes items 9-10)	Bloc d'embrayage (inclut l'articles 9 à 10)	Conjunto de embrague (incluye el artículos 9 a 10)	1
15	0293483	Gearbox gasket	Joint statique du carter d'engrenage	Junta de la carcasa de engranajes	1
16	0293938	Gear assembly	Ensemble de engrenage	Ensamblaje del engranaje	1
17	759-222	Plug	Bouchon	Tapón	1
18	0293588	Plug	Bouchon	Tapón	1
19	759-380	PRIME/SPRAY valve assembly	Ensemble de soupape de PRIME/SPRAY	Ensemble de válvula de PRIME/SPRAY	1
20	9885553	Return tube fitting	Raccord de tube de retour	Conector de tubo de retorno	1
21	0293939	Transducer assembly	Assemblage du transducteur	Ensamblaje del transductor	1
22	0293480	Access cover	Couvercle d'accès	Cubierta de acceso	1
23	9805410	Screw	Vis	Tornillo	1
24	0293941	Adjustment rod assembly	Assemblage de la tige de réglage	Conjunto de varilla de ajuste	1
25	0293943	Engine	Moteur	Motor	1
26	759-512	Throttle nut	Écrou de l'étrangleur	Tuerca del acelerador	1
27	0293944	Throttle cable assembly	Ensemble de câbles de l'étrangleur	Conjunto del cable del acelerador	1
	759-365	Fluid section repacking kit	Trousse de tampon graisseurs	Juego de empaquetaduras	

Cart assembly • Ensemble de chariot • Ensamblaje de carro



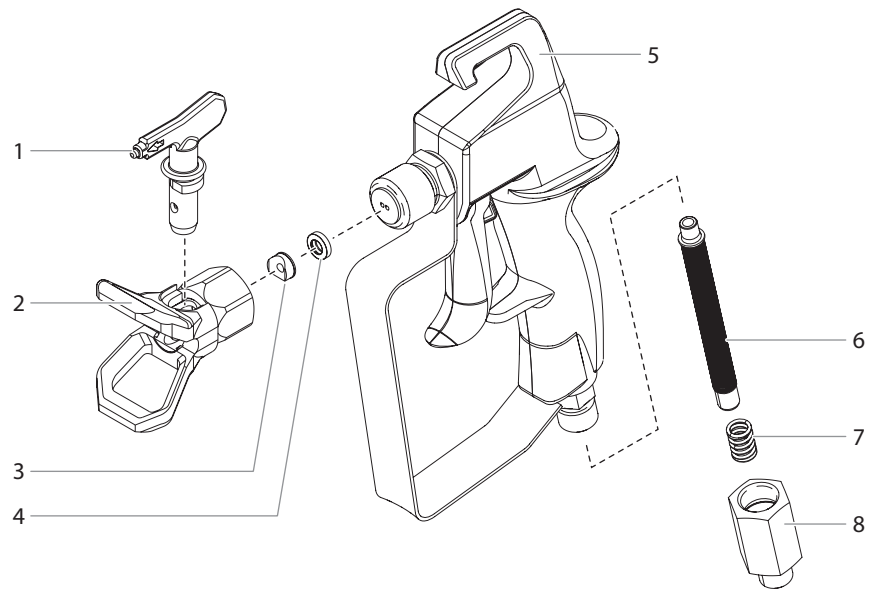
Item Article Artículo	Part No. N° de pièce Pieza No.	English Description	Français Description	Español Descripción	Quantity Quantite Cantidad
1	0293945	Handle assembly	Ensemble de poignée	Ensamblaje del mango	1
2	424-245	Handle grip	Poignée-pistolet	Empuñadura de la manilla	2
3	759-215	Lever assembly	Ensemble de levier	Ensamblaje de palanca	1
4	856-921	Screw	Vis	Tornillo	2
5	856-002	Washer	Rondelle	Arandela	2
6	0293508	Adjustment knob	Bouton de réglage	Perilla de ajuste	1
7	0293521	Handle spacer	Entretoise de la poignée	Separador de la manilla	1
8	0293594	Rubber film	Film en caoutchouc	Capa de goma	1
9	0293949	Middle tube	Tube moyen	Tubo del medio	1
10	0293537	Knob	Bouton	Perilla	1
11	858-001	Washer	Rondelle	Arandela	2
12	0293507	Screw	Vis	Tornillo	1
13	0516571	Bushing	Douille	Buje	2
14	759-293A	Wheel	Roue	Rueda	2
15	9890113	Wheel cap	Capuchon de roue	Tapa de rueda	2
16	759-194	Axle	Essieu	Eje	1
17	759-329	Clamp assembly	Ensemble de serrage	Conjunto de abrazadera	1
18	759-283	Bucket holder	Support à seau	Soporte del balde	2
19	759-320	Screw	Vis	Tornillo	2
20	0293952	Cart weldment (includes item 32)	Ensemble de chariot (incluit le article 32)	Ensamblaje del carro (incluye el artículo 32)	1
21	756-056	Plug	Bouchon	Tapón	1
22	759-188	Gun post assembly	Assemblage du poteau à pistolet	Conjunto del poste de la pistola	1
23	0509171A	Gun holder assembly (see separate listing)	Support à pistolet (voir liste séparée)	Soporte de la pistola (consulte la lista separada)	1
24	759-306	Knob	Bouton	Perilla	1
25	770-144	Nut	Écrou	Tuerca	1
26	757-055	Plug	Bouchon	Tapón	1
27	0293519	Plug	Bouchon	Tapón	1
28	759-456	Nut	Écrou	Tuerca	1
29	0293954	Retainer	Retenue	Retén	1
30	0293512	Bearing, flanged	Palier à collerette	Cojinete embridado	2
31	756-087	Spring	Ressort	Resorte	1
32	0293957	Fork disk	Disque de fourche	Disco de la horquilla	1
33	0293958	Fork leg	Jambe de fourche	Pata de la horquilla	1
34	759-456	Nut	Écrou	Tuerca	1
35	0293581	Spacer	Espaceur	Separador	2
36	759-298	Wheel	Roue	Rueda	1
37	759-439	Washer	Rondelle	Arandela	1
38	0293516	Front axle	Essieu	Eje	1
39	0293963	Locking pin	Tige de blocage	Pasador de seguridad	1
40	759-326	Grounding chain	Chaînette de mise à terre	Cadena de conexión a tierra	1
41	759-440	Washer	Rondelle	Arandela	1
42	759-325	Screw	Vis	Tornillo	1

Gun holder assembly • Ensemble de support à pistolet • Ensamblaje de soporte de la pistola



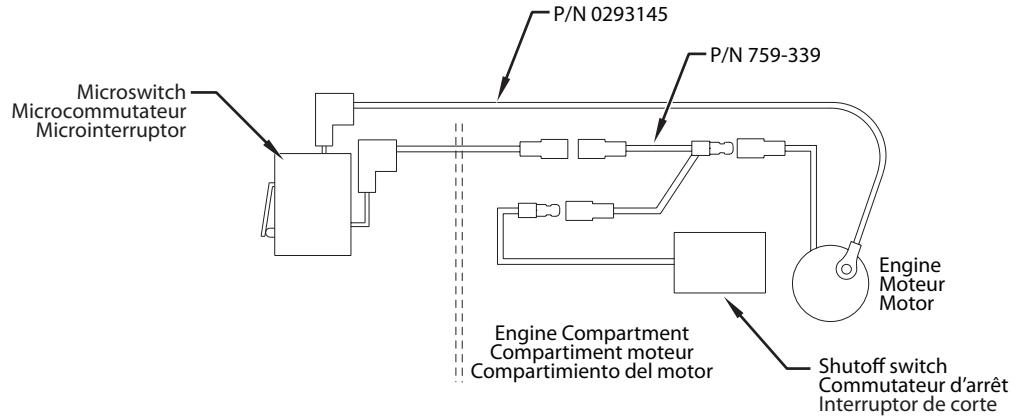
Item Article Artículo	Part No. N° de pièce Pieza No.	English Description	Français Description	Español Descripción	Quantity Quantite Cantidad
1	759-415	Support arm	Support de bras	Apoyo del brazo	1
2	858-644	Screw	Vis	Tornillo	1
3	858-636	Screw	Vis	Tornillo	1
4	858-002	Washer	Rondelle	Arandela	2
5	-----	Gun holder assembly (includes items 9-23)	Support à pistolet (inclut l'articles 9 à 23)	Soporte de la pistola (incluye el artículos 9 a 23)	1
6	759-414	Clamp	Serrage	Abrazadera	1
7	0509292	Washer	Rondelle	Arandela	1
8	862-436	Screw	Vis	Tornillo	1
9	756-034	Knob	Bouton	Perilla	1
10	424-201	Gun holder	Support à pistolet	Soporte de la pistola	1
11	759-316	Clamp block	Bloc de serrage	Bloque de la abrazadera	1
12	756-037	Screw	Vis	Tornillo	1
13	858-601	Nut	Écrou	Tuerca	1
14	424-248	Flange bearing	Palier à bride	Cojinete de brida	2
15	858-653	Screw	Vis	Tornillo	1
16	424-249	Bearing sleeve	Manchon à coussinet	Manguito del cojinete	1
17	858-603	Nut	Écrou	Tuerca	1
18	703-079	Screw	Vis	Tornillo	1
19	759-056	Spring holder (short)	Support de ressort (court)	Portaresorte (corto)	1
20	0509781	Spring	Ressort	Resorte	1
21	759-057	Spring holder (long)	Support de ressort (long)	Portaresorte (largo)	1
22	860-936	Screw	Vis	Tornillo	1
23	424-202	Lever	Levier	Palanca	1

Spray Gun • Pistolet et ses composants • Ensamblaje de pistola



Item Article Artículo	Part No. N° de pièce Pieza No.	English Description	Français Description	Español Descripción	Quantity Quantite Cantidad
1	665-1908	Tip assembly (not included with spray gun)	Ensemble de buse (non inclus avec le pistolet de pulvérisation)	Ensamblaje de punta (no viene incluido con la pistola pulverizadora)	1
2	661-010A	Guard assembly	Défecteur	Cubierta	1
3	651-020	Tip seal	Joint de buse	Sello de punta	1
4	651-040	Tip seal retainer	Joint	Sello	1
5	759-369	Gun assembly	Ensemble de pistolet	Ensamblaje de pistola	1
6	0515252	Filter, fine (white)	Filtre, fin (blanc)	Filtro, fino (blanco)	1
7	0043590	Spring	Ressort	Resorte	1
8	0278357	Fitting	Raccord	Conector	1

Electrical Schematic • Schéma de raccordement électrique • Esquema eléctrico



NOTE: All electrical work should be performed by an authorized service center.

NOTA: Tous les travaux d'électricité doivent être effectués par le personnel d'un centre de service autorisé.

NOTA: Todo trabajo eléctrico debe realizarlo un centro de servicio autorizado.

Labels • Étiquettes • Etiquetas

Part No. N° de pièce Pieza No.	English Description	Français Description	Español Descripción
0555793	Front cover label	Étiquette du couvercle avant	Etiqueta de la cubierta delantera
313-176	Engine label	Étiquette du moteur	Etiqueta del motor
0516801	PRIME/SPRAY label	Étiquette de PRIME/SPRAY	Etiqueta de PRIME/SPRAY
313-771	Warning label, injection	Étiquette d'avertissement, injection	Etiqueta de advertencia, inyección
313-784	Warning label, fire/explosion	Étiquette d'avertissement, incendie/explosion	Etiqueta de advertencia, incendio/explosión
313-1387	Warning label, empty gas tank	Étiquette d'avertissement, réservoir à essence vide	Etiqueta de advertencia, tanque de combustible vacío
0293755	Pressure control label	Étiquette de régulation de la pression	Etiqueta de control de presión
0293756	"Do not pull cable" label	Étiquette de "Do not pull cable"	Etiqueta de "Do not pull cable"
313-2772	Label, gun mount	Étiquette, support à pistolet	Etiqueta, soporte de la pistola
313-2771	Label, tip size	Étiquette, dimension de la buse	Etiqueta, tamaño de la boquilla

Accessories

Liquid Shield Plus

Cleans and protects spray systems against rust, corrosion and premature wear. Now with -25° anti-freeze protection.

Part #	Description
314-483.....	4 ounce bottle
314-482.....	1 quart bottle



Piston Lube

Specially formulated to prevent materials from adhering to the piston rod, which becomes abrasive to the upper seals. Piston Lube will break down any material that may accumulate in the oil cup and keep it from drying.

Part #	Description
314-481.....	4 ounce bottle
314-480.....	8 ounce bottle



Stencil Kit — 756-135

Stencils are molded of 1/16" (1.5 mm) Durolast polyethylene. This material is very durable and lays flat on the surface being stenciled for clean and accurate marking.

The stencil kit contains one each of the following:

- 21.5" (55 cm) Handicap (symbol)
- 42" (105 cm) Straight arrow (symbol)
- 42" (105 cm) Curved arrow (symbol)
- 12" (30 cm) Number kit (0 through 9)
- 12" (30 cm) "No Parking" (words)
- 12" (30 cm) "Fire Lane" (words)
- 4" (10 cm) "No Parking" (words)
- 4" (10 cm) "Fire Lane" (words)
- 4" (10 cm) "Visitors" (word)
- 4" (10 cm) "Reserved" (word)

Accessoires

Liquid Shield Plus

Nettoie et protège les systèmes de vaporisation de la rouille, de la corrosion et de l'usure prématurée. Maintenant avec la protection d'antigel de -25°.

N° de pièce	Description
314-483	Bouteille de 4 oz
314-482	Bouteille de 1 qt.



Piston Lube

Spécialement formulé pour empêcher les produits d'adhérer à la tige des pistons, ce qui tend à endommager les joints supérieurs. Le Piston Lube décompose tous les matériaux qui risquent de s'accumuler dans la cuvette d'égouttage et les empêchent de sécher.

N° de pièce	Description
314-481	Bouteille de 4 oz
314-480	Bouteille de 8 oz



Trousse de pochoirs — 756-135

Les pochoirs sont moulés de polyéthylène Durolast de 1/16 po (1.5 mm). Ce matériau est très résistant et repose à plat sur la surface à peindre pour un marquage net et précis.

La trousse comprend un pochoir de chacun des éléments suivants :

- stationnement pour personne handicapée de 21.5 po (55 cm) (symbole)
- flèche droite de 42 po (105 cm) (symbole)
- flèche courbe de 42 po (105 cm) (symbole)
- ensemble de chiffres (0 à 9) de 12 po (30 cm)
- « Stationnement interdit » de 12 po (30 cm) (mots)
- « Couloir d'urgence » de 12 po (30 cm) (mots)
- « Stationnement interdit » de 4 po (10 cm) (mots)
- « Couloir d'urgence » de 4 po (10 cm) (mots)
- « Visiteurs » de 4 po (10 cm) (mot)
- « Réservé » de 4 po (10 cm) (mot)

Accesorios

Protector líquido Liquid Shield

Limpia y proteger los sistemas de rociado contra el óxido, la corrosión y el desgaste prematuro.

Ahora con la protección del anticongelante de -25°.

Pieza # Descripción

314-483.....	Botella de 4 onzas
314-482.....	Botella de 1 cuarto de galón



Lubricante para pistones Piston Lube

Formulado especialmente para evitar que los materiales se adhieran a la vara del pistón, lo cual es abrasivo para los sellos superiores. El Piston Lube degrada todo material que pueda acumularse en el recipiente y evita que se seque.

Pieza # Descripción

314-481.....	Botella de 4 onzas
314-480.....	Botella de 8 onzas



Juego de estencil - 756-135

Las plantillas de estencil se moldean de polietileno Durolast de 1/16" (1.5 mm). Este material es muy duradero y se mantiene plano en la superficie que se va a estarcir para obtener marcas limpias y precisas.

El juego de estencil contiene uno de los siguientes elementos:

- 21.5" (55 cm) Discapacidad (símbolo)
- 42" (105 cm) Flecha recta (símbolo)
- 42" (105 cm) Flecha curva (símbolo)
- 12" (30 cm) Juego de números (0 al 9)
- 12" (30 cm) "No Parking" (No estacionar) (palabras)
- 12" (30 cm) "Fire Lane" (Pista para protección contra el fuego) (palabras)
- 4" (10 cm) "No Parking" (No estacionar) (palabras)
- 4" (10 cm) "Fire Lane" (Pista para protección contra el fuego) (palabras)
- 4" (10 cm) "Visitors" (Visitas) (palabra)
- 4" (10 cm) "Reserved" (Reservado) (palabra)

Garantie

Titan Tools, inc. (« Titan ») garantit qu'au moment de la livraison à l'acheteur original (« Utilisateur »), l'appareil couvert par la présente garantie sera exempt de défauts de matériaux et de fabrication. Les responsabilités de Titan en vertu de cette garantie se limitent au remplacement ou à la réparation sans frais des pièces dont on aura, à la satisfaction raisonnable de Titan, démontré la défectuosité dans un délai de 24 mois après la date d'achat par l'Utilisateur. Cette garantie ne s'applique que si l'appareil a été installé et utilisé conformément aux recommandations et directives de Titan.

Cette garantie ne s'applique pas dans les cas d'endommagement ou d'usure engendrés par de l'abrasion, de la corrosion, un mauvais usage, de la négligence, un accident, une installation incorrecte, un remplacement par des composants non fournis par Titan ou toute intervention non autorisée apte à nuire au fonctionnement normal de l'appareil.

Les pièces défectueuses doivent être envoyées à un centre de service/vente Titan autorisé; les frais de transport, incluant le retour à l'usine, le cas échéant, doivent être défrayés à l'avance par l'Utilisateur. Une fois remplacées ou réparées, les pièces seront renvoyées à ce dernier par transport prépayé.

AUCUNE AUTRE GARANTIE EXPLICITE N'EST DONNÉE. PAR LES PRÉSENTES, TITAN SE DÉGAGE DE TOUTE AUTRE GARANTIE IMPLICITE, INCLUANT, SANS TOUTEFOIS S'Y LIMITER, LES GARANTIES DE COMMERCIALITÉ ET D'ADAPTATION À UN USAGE PARTICULIER, DANS LES LIMITES PERMISES PAR LA LOI. LA DURÉE DES GARANTIES IMPLICITES NE POUVANT ÊTRE DÉCLINÉES SE LIMITE À LA PÉRIODE INDIQUÉE DANS LA GARANTIE EXPLICITE. LES RESPONSABILITÉS DE TITAN NE SAURAIENT EN AUCUN CAS SE CHIFFRER À UN MONTANT SUPÉRIEUR À CELUI DU PRIX D'ACHAT, ET CELLES RELATIVES AUX DOMMAGES CONSÉCUTIFS, ACCESSOIRES OU PARTICULIERS EN VERTU DE TOUTE GARANTIE SONT ÉGALEMENT DÉCLINÉES, DANS LES LIMITES PERMISES PAR LA LOI.

TITAN NE DONNE AUCUNE AUTRE GARANTIE EXPLICITE ET DÉCLINE TOUTE GARANTIE IMPLICITE DE COMMERCIALITÉ ET D'ADAPTATION À UN USAGE PARTICULIER RELATIVEMENT AUX ACCESSOIRES, À L'ÉQUIPEMENT, AUX MATÉRIAUX OU AUX COMPOSANTS VENDUS MAIS NON FABRIQUÉS PAR ELLE; CES ÉLÉMENTS (MOTEURS À ESSENCE, COMMUTATEURS, FLEXIBLES, ETC.) SONT PLUTÔT SOUMIS, LE CAS ÉCHÉANT, AUX GARANTIES DE LEUR FABRICANT. TITAN S'ENGAGE À OFFRIR UN SOUTIEN RAISONNABLE AUX UTILISATEURS QUI FERONT DES RÉCLAMATIONS RELATIVES À L'INOBSERVATION DE CES GARANTIES.

Enregistrement du produit

Enregistrer votre appareil en ligne à www.titantool.com.

The logo for Titan Tools, featuring the word "TITAN" in a bold, italicized, sans-serif font with a trademark symbol.

United States Sales & Service

Phone: 1-800-526-5362

Fax: 1-800-528-4826

1770 Fernbrook Lane
Plymouth, MN 55447
www.titantool.com

International Sales

international@titantool.com

Fax: 1-763-519-3509

1770 Fernbrook Lane
Plymouth, MN 55447

Garantía

Titan Tool, Inc., ("Titan") garantiza que en el momento de la entrega al comprador original para su uso ("Usuario final"), el equipo cubierto por esta garantía está exento de defectos en material y fabricación. La obligación de Titan en virtud de esta garantía se limita a sustituir o reparar sin cargo las piezas que; a la entera satisfacción de Titan, demuestren estar defectuosas dentro de 24 meses después de la venta al usuario final. Esta garantía corresponde solamente cuando la unidad se instala y funciona según las recomendaciones e instrucciones de Titan.

Esta garantía no corresponde en el caso de daños o desgaste causados por abrasión, corrosión o uso indebido, negligencia, accidente, instalación errada, sustitución de piezas con componentes que no sean Titan o alteraciones con la unidad de tal modo que se vea afectado el funcionamiento normal.

Las piezas defectuosas deben devolverse a un centro de ventas y servicio autorizado de Titan. Todos los cargos de transporte, incluso la devolución a la fábrica, si es necesario, debe pagarlos previamente el usuario final. El equipo reparado o cambiado se devolverá al usuario final con porte prepago.

NO EXISTE NINGUNA OTRA GARANTÍA EXPRESA. TITAN DESCONOCE POR LA PRESENTE TODA OTRA GARANTÍA IMPLÍCITA INCLUSIVE ENTRE OTRAS, LAS DE COMERCIALIZACIÓN E IDONEIDAD PARA UN FIN PARTICULAR, EN LA MEDIDA QUE LO PERMITA LA LEY. LA DURACIÓN DE LAS GARANTÍAS IMPLÍCITAS QUE NO PUEDEN DESCONOCERSE SE LIMITA AL PLAZO ESPECIFICADO EN LA GARANTÍA EXPRESA. EN NINGÚN CASO EXCEDERÁ LA RESPONSABILIDAD DE TITAN EL MONTO DEL PRECIO DE COMPRA. LA RESPONSABILIDAD CIVIL POR DAÑOS Y PERJUICIOS RESULTANTES, FORTUITOS O ESPECIALES BAJO TODA GARANTÍA QUEDA EXCLUIDA EN LA MEDIDA QUE LO PERMITA LA LEY.

TITAN NO OFRECE GARANTÍAS Y DESCONOCE TODA GARANTÍA IMPLÍCITA DE COMERCIALIZACIÓN E IDONEIDAD PARA UN FIN PARTICULAR REFERENTE A ACCESORIOS, EQUIPO, MATERIALES O COMPONENTES VENDIDOS PERO NO FABRICADOS POR TITAN. AQUELLOS ARTÍCULOS VENDIDOS, PERO NO FABRICADOS POR TITAN (COMO LOS MOTORES DE GAS, INTERRUPTORES, MANGUERAS, ETC.) ESTÁN PROTEGIDOS POR LA GARANTÍA DE SU PROPIO FABRICANTE, SI LA HAY. TITAN PROPORCIONARÁ AL COMPRADOR ASISTENCIA RAZONABLE PARA EFECTUAR RECLAMOS EN CASO DE INCUMPLIMIENTO DE ESTAS GARANTÍAS.

Registro del producto

Registre su producto en línea en www.titantool.com.

The logo for Titan Tool, Inc. features the word "TITAN" in a bold, italicized, sans-serif font. The letters are black with a white outline, and a small trademark symbol (TM) is positioned to the upper right of the final letter.

United States Sales & Service

Phone: 1-800-526-5362

Fax: 1-800-528-4826

1770 Fernbrook Lane
Plymouth, MN 55447
www.titantool.com

International Sales

international@titantool.com

Fax: 1-763-519-3509

1770 Fernbrook Lane
Plymouth, MN 55447

Warranty

Titan Tool, Inc., ("Titan") warrants that at the time of delivery to the original purchaser for use ("End User"), the equipment covered by this warranty is free from defects in material and workmanship. With the exception of any special, limited, or extended warranty published by Titan, Titan's obligation under this warranty is limited to replacing or repairing without charge those parts which, to Titan's reasonable satisfaction, are shown to be defective within twenty-four (24) months after sale to the End User. This warranty applies only when the unit is installed and operated in accordance with the recommendations and instructions of Titan.

This warranty does not apply in the case of damage or wear caused by abrasion, corrosion or misuse, negligence, accident, faulty installation, substitution of non-Titan component parts, or tampering with the unit in a manner to impair normal operation.

Defective parts are to be returned to an authorized Titan sales/service outlet. All transportation charges, including return to the factory, if necessary, are to be borne and prepaid by the End User. Repaired or replaced equipment will be returned to the End User transportation prepaid.

THERE IS NO OTHER EXPRESS WARRANTY. TITAN HEREBY DISCLAIMS ANY AND ALL IMPLIED WARRANTIES INCLUDING, BUT NOT LIMITED TO, THOSE OF MERCHANTABILITY AND FITNESS FOR A PARTICULAR PURPOSE, TO THE EXTENT PERMITTED BY LAW. THE DURATION OF ANY IMPLIED WARRANTIES WHICH CANNOT BE DISCLAIMED IS LIMITED TO THE TIME PERIOD SPECIFIED IN THE EXPRESS WARRANTY. IN NO CASE SHALL TITAN LIABILITY EXCEED THE AMOUNT OF THE PURCHASE PRICE. LIABILITY FOR CONSEQUENTIAL, INCIDENTAL OR SPECIAL DAMAGES UNDER ANY AND ALL WARRANTIES IS EXCLUDED TO THE EXTENT PERMITTED BY LAW.

TITAN MAKES NO WARRANTY AND DISCLAIMS ALL IMPLIED WARRANTIES OF MERCHANTABILITY AND FITNESS FOR A PARTICULAR PURPOSE WITH RESPECT TO ACCESSORIES, EQUIPMENT, MATERIALS OR COMPONENTS SOLD BUT NOT MANUFACTURED BY TITAN. THOSE ITEMS SOLD, BUT NOT MANUFACTURED BY TITAN (SUCH AS GAS ENGINES, SWITCHES, HOSES, ETC.) ARE SUBJECT TO THE WARRANTY, IF ANY, OF THEIR MANUFACTURER. TITAN WILL PROVIDE THE PURCHASER WITH REASONABLE ASSISTANCE IN MAKING ANY CLAIM FOR BREACH OF THESE WARRANTIES.

Product Registration

Register your product online at www.titantool.com.

The logo for Titan Tool, Inc. features the word "TITAN" in a bold, italicized, sans-serif font. The letters are black with a white outline, and a small trademark symbol (TM) is positioned to the upper right of the final letter.

United States Sales & Service

Phone: 1-800-526-5362

Fax: 1-800-528-4826

1770 Fernbrook Lane
Plymouth, MN 55447
www.titantool.com

International Sales

international@titantool.com

Fax: 1-763-519-3509

1770 Fernbrook Lane
Plymouth, MN 55447