

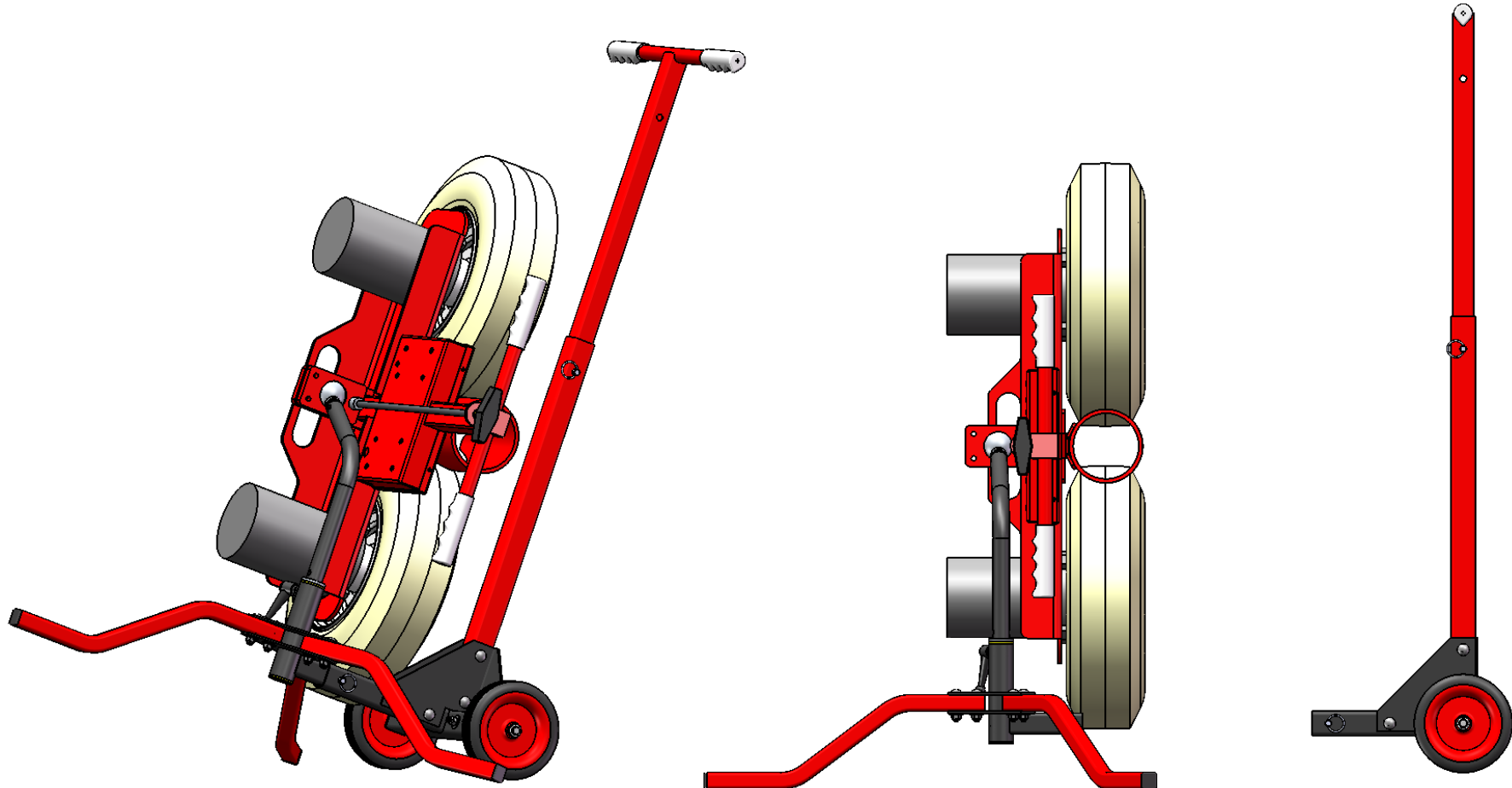


The First Pitch Machine Caddy
Great for transporting your machine.

Fits: XL

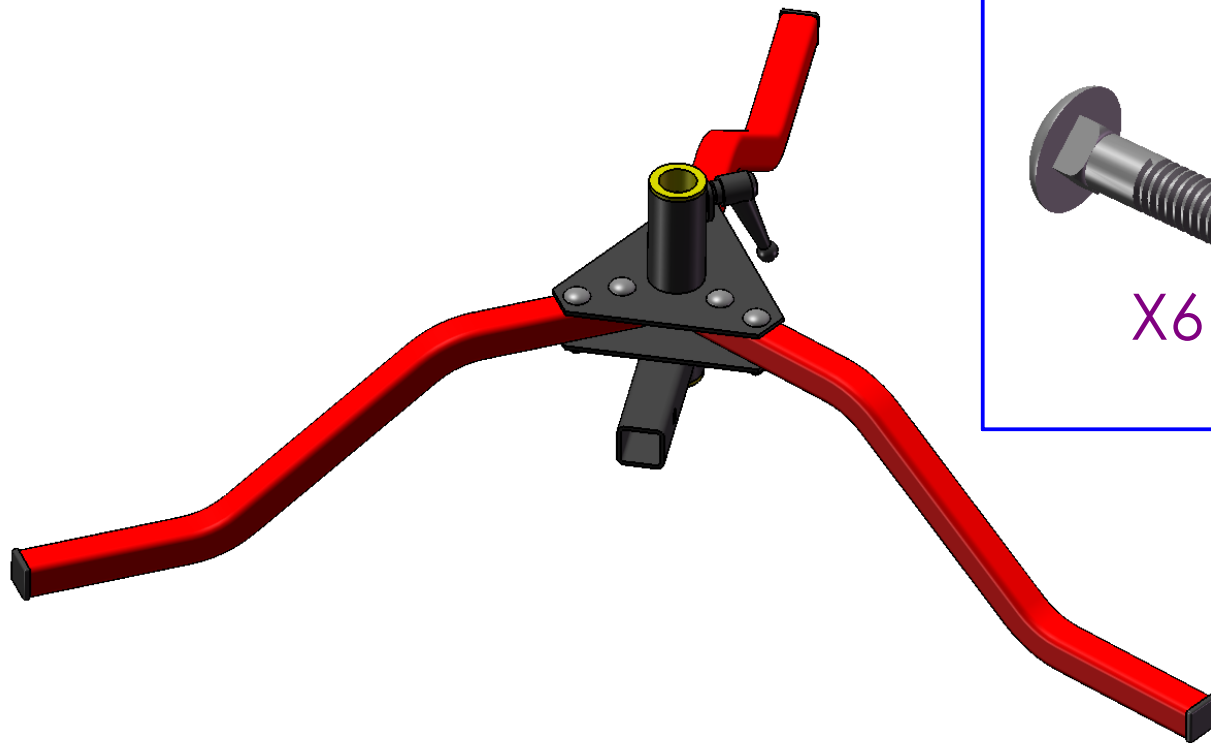
Curveball

Quarterback

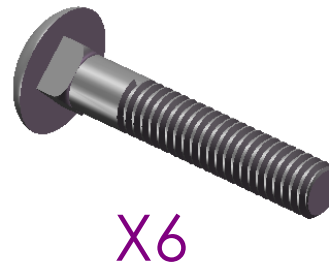
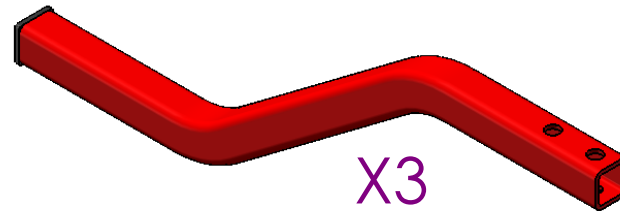
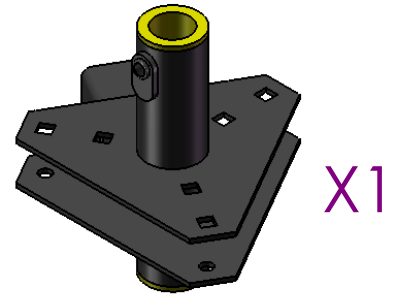




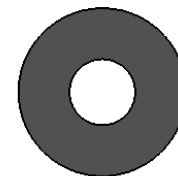
Tri-Pod Assembly

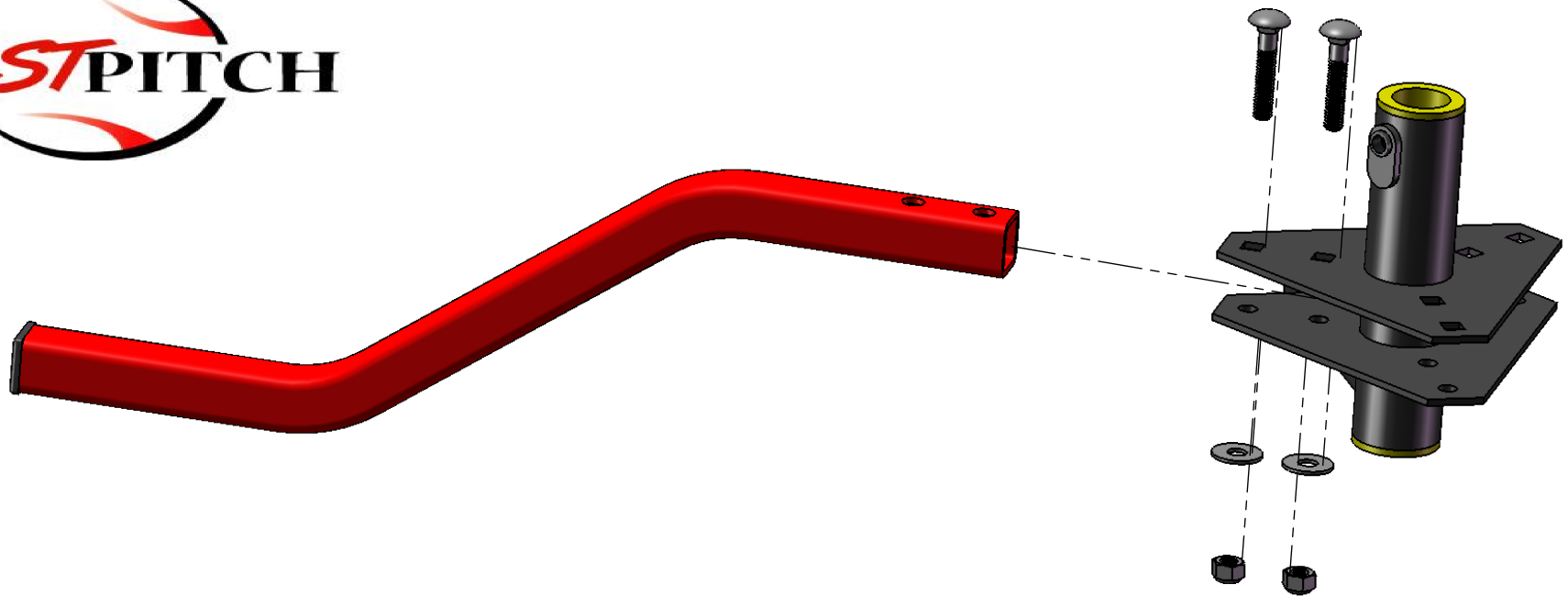


You will need:

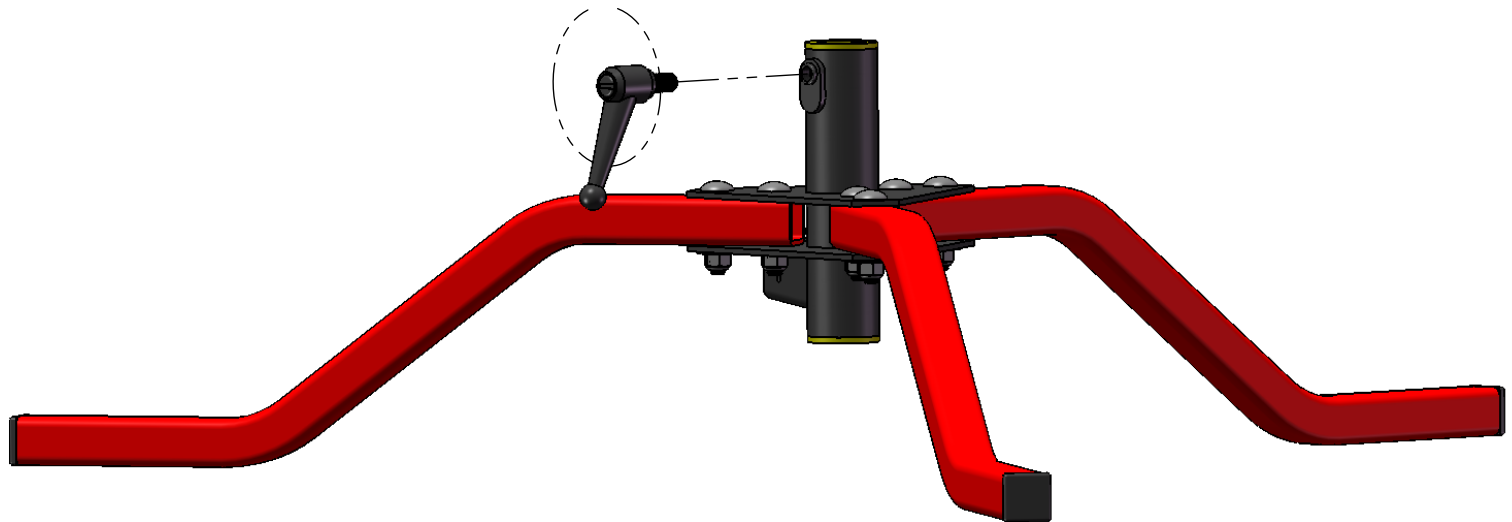


Scale 1:1





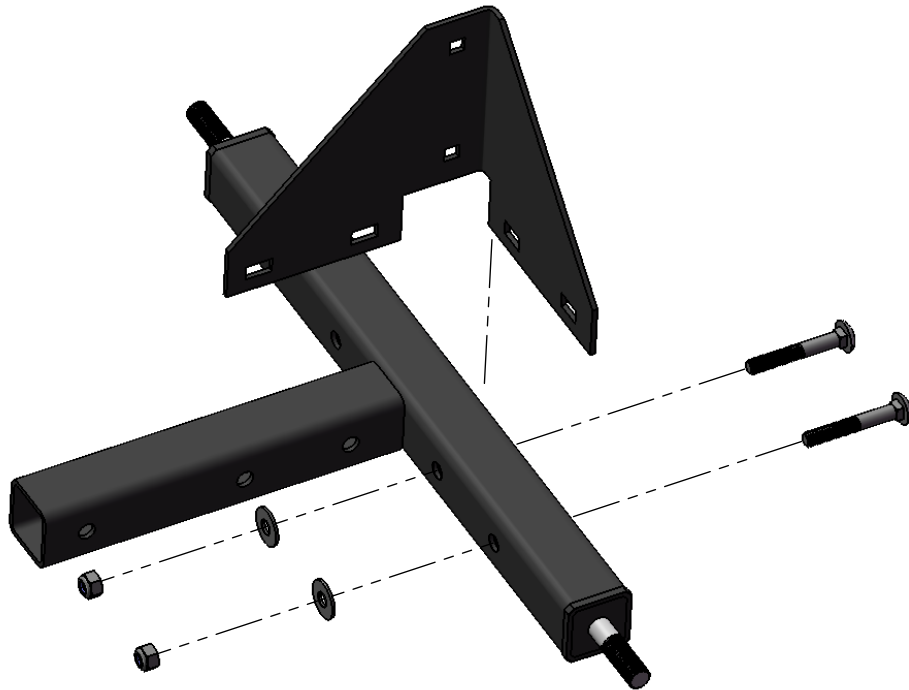
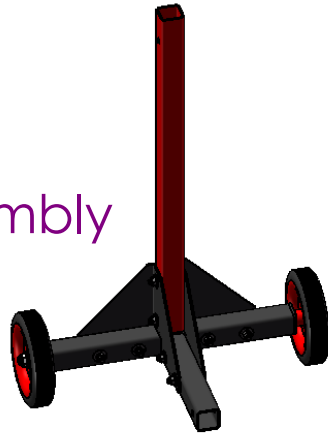
Step 1
Attach legs(X3)



Step 2
Insert Locking Knob
Sheet3 of 9



Removable Cart Assembly Step 1



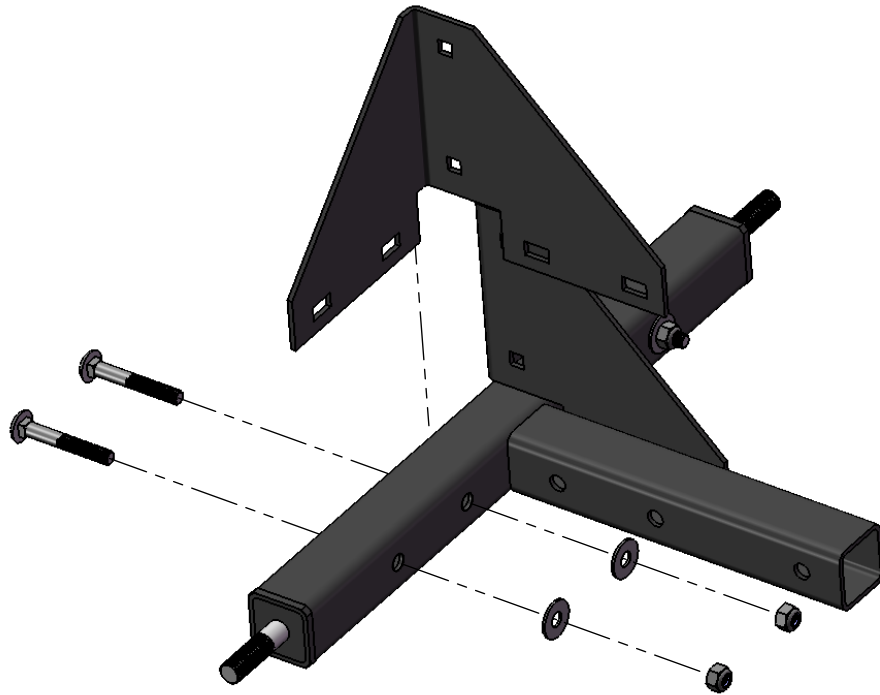
You will need:

- X1 L-shaped bracket
- X1 long black bar
- X2 bolts
- X2 washers
- X2 nuts

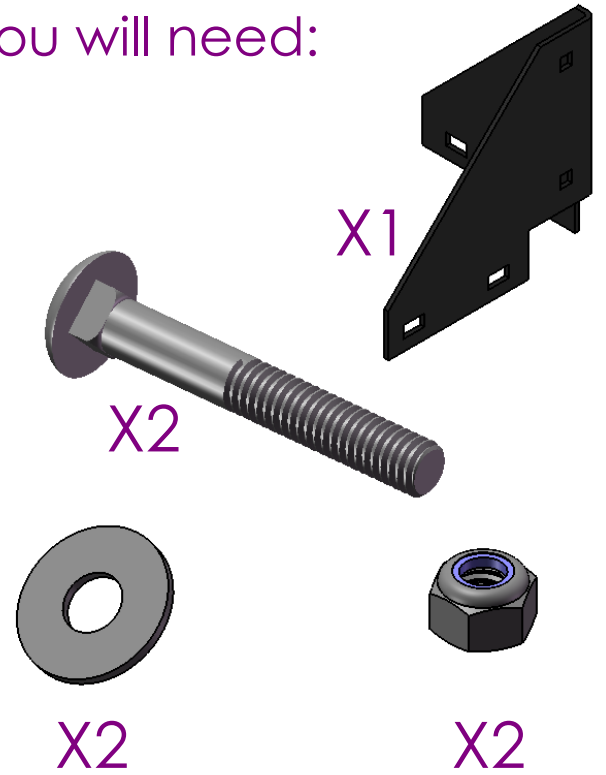
Scale 1:1



Step 2



You will need:

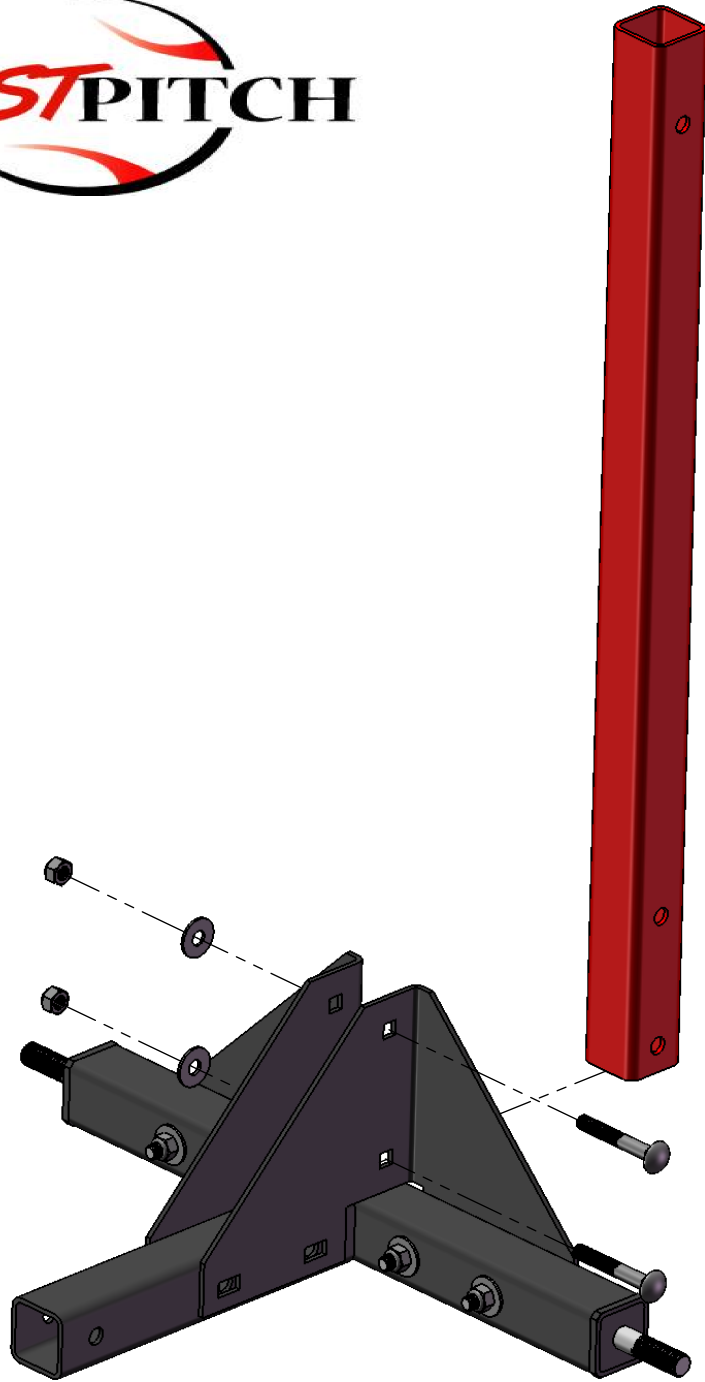


Scale 1:1

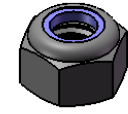




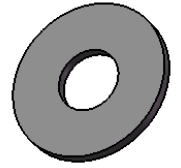
Step 3



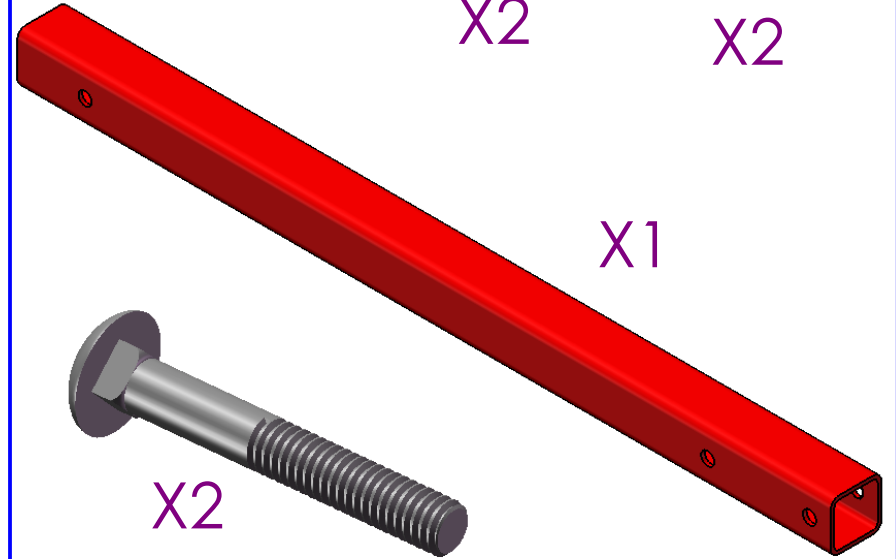
You will need:



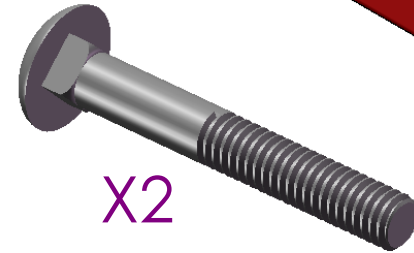
X2



X2

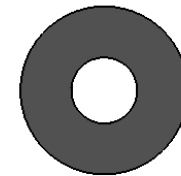


X1



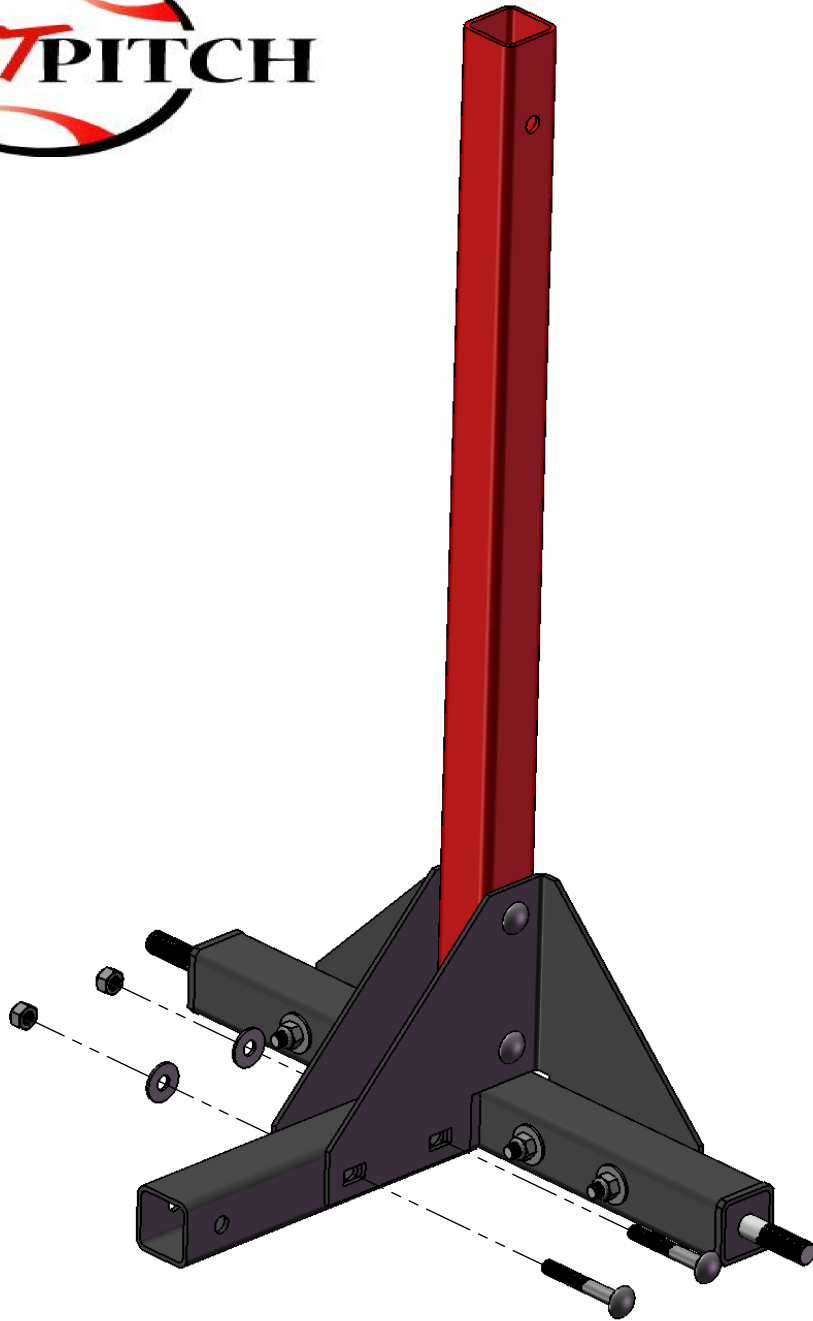
X2

Scale 1:1

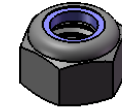




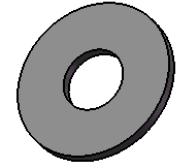
Step 4



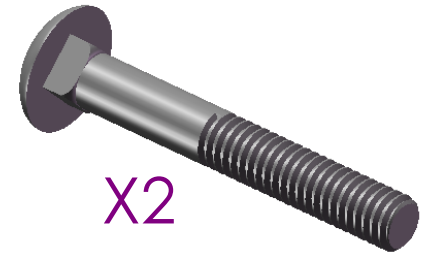
You will need:



X2

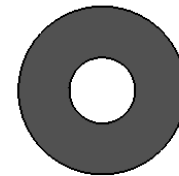


X2



X2

Scale 1:1





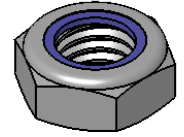
Step 5



You will need:

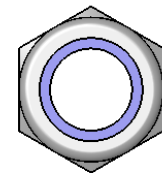


X2

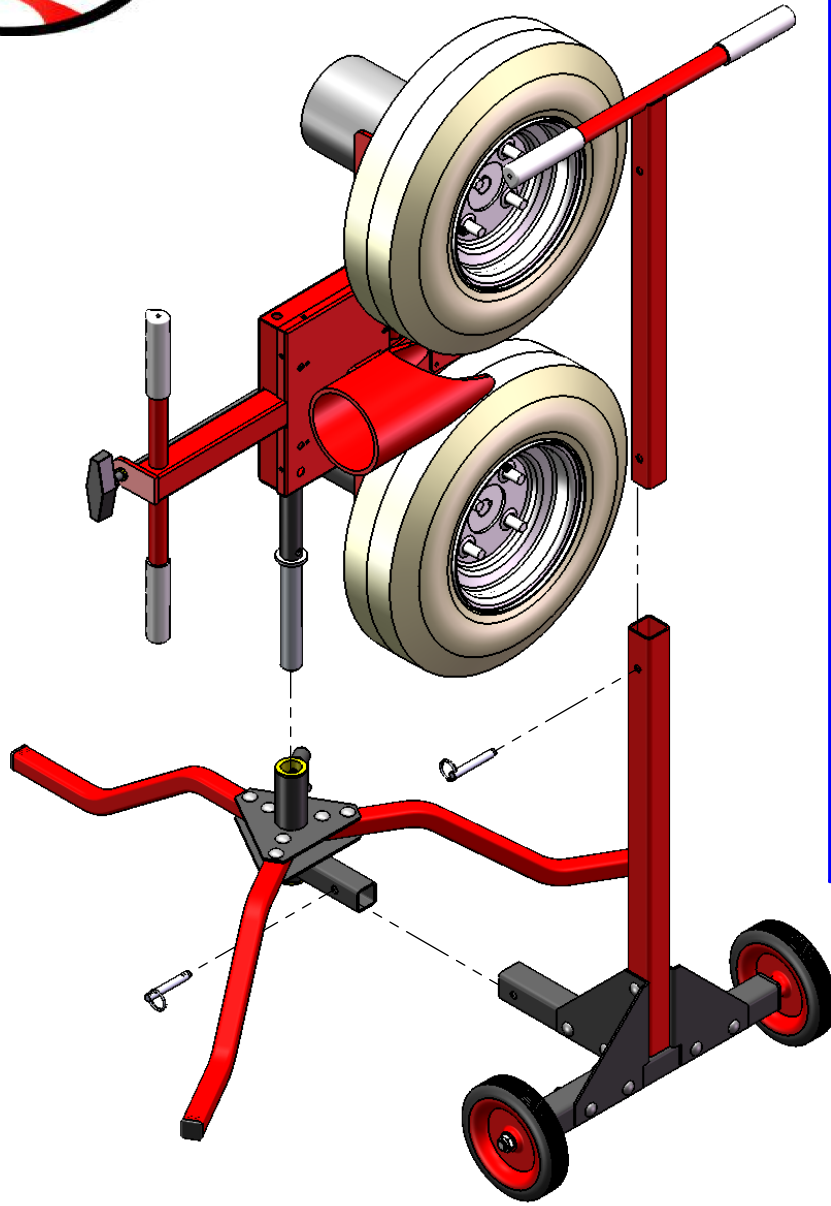


X2

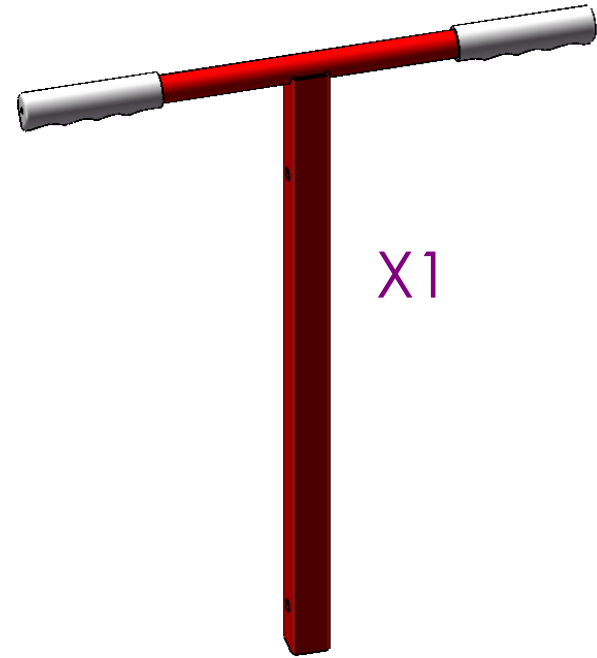
Scale 1:1



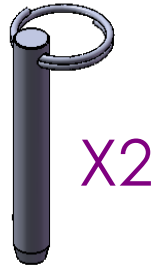
Step 6



You will need:



X1



X2

Scale 1:1

