

ProCage[™] Professional Batting Cage ASSEMBLY INSTRUCTIONS





PACKAGING DETAILS

Item Number	Description/ Package Contents
TCFRM	(2) EACH CORNER FRAMES - PACKAGED AS (1) BUNDLE - BUNDLE WEIGHT = 22 LBS
TVFRM	(2) EACH 'V' SHAPED LOWER FRAME ASSEMBLY - PACKAGED AS (1) BUNDLE - BUNDLE WEIGHT = 39 LBS
TRIBFRM	(10) EACH CURVED 'RIB' FRAME - PACKAGES AS (2) BUNDLES WITH (5) PIECES PER BUNDLE - BUNDLE WEIGHT = 40 LBS (X2) = 80 LBS TOTAL
TSTFRM	(7) EACH STRAIGHT FRAME PIECES OF VARIOUS LENGTHS - PACKAGED AS (2) BUNDLES - BUNDLE WEIGHT = 16 LBS (3 PIECE BUNDLE) + 17 LBS (4 PIECE BUNDLE)
TPSHBAR	(6) EACH STRAIGHT LIFT BARS WITH LOCKING PINS - PACKAGED AS (1) BUNDLE - BUNDLE WEIGHT = 46 LBS
TBKFRM	(1) EACH BACK FRAME ASSEMBLY - WEIGHT = 38 LBS
BPCAGEPAD	(1) EACH THUD PAD (SIZE: 4' X 6') WEIGHT = 20 LBS
TRIBPAD	(2) BOXES OF FRAME RIB VELCRO PADS - (2) BOXES CONTAIN 21 PADS TOTAL - EACH BOX WEIGHS 15 LBS EACH (X2) = 30 LBS TOTAL - EACH BOX DIMENSIONS = 72" L X 12"W X 9"H
TRFTIRE	(1) BOX CONTAINS (3) EACH TURF TIRES - (1) BOX CONTAINS (3) EACH TURF TIRES - BOX WEIGHT = 69 LBS - BOX DIMENSIONS = 28" X 20" X 20"
TDOLLEY TDHDW TNETSTRP TRPTIE TCBLTIE	(1) BOX WITH DOLLEY ASSEMBLY FRAME HANDLE AND MISC. PARTS - BOX CONTAINS: (DOLLEY ASSEMBLY FRAME HANDLE, MISC. FRAME BRACKETS, HARDWARE BAGS, BAG OF CABLE TIES, ROPE TIES, NET STRAPS - BOX WEIGHT = 45 LBS - BOX DIMENSIONS: 40" X 16" X 10"
TDPARTS TDSWPTR	(1) BOX WITH DOLLEY ASSEMBLY PARTS AND SIDE WHEEL FRAME - BOX CONTAINS: (DOLLEY ASSEMBLY PARTS, SIDE WHEEL PROTECTOR FRAME) - BOX WEIGHT = 34 LBS BOX DIMENSIONS: 26" X 25.5" X 10"
BPCAGEN	(1) BOX CONTAINING CAGE NET - BOX WEIGHT = 32 LBS (DIMS: 26" X 11" X 11")
BPCAGESKT	(1) BOX CONTAINS VINYL SKIRT - BOX WEIGHT = 51 LBS - BOX DIMS: 26" X 27.5" X 17.5"
TCHPLT	(1) BOX CONTAINING COACH PLATFORMS - BOX CONTAINS (2) COACH PLATFORMS



BPCAGE HARDWARE IDENTIFICATION

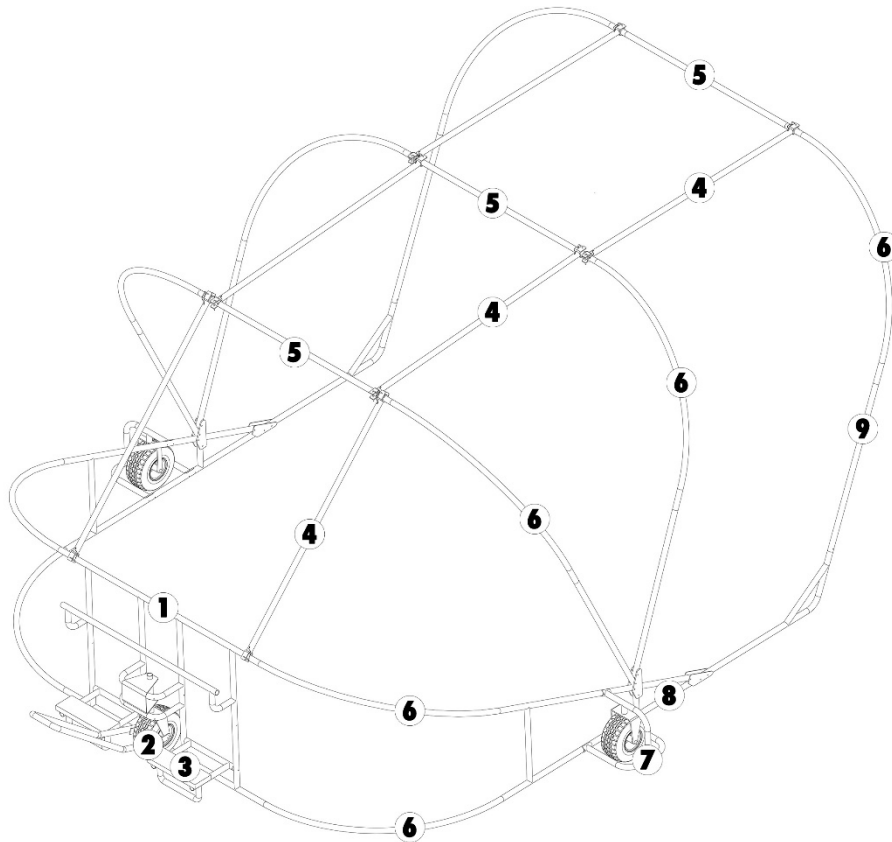
ITEM NUMBER	DESCRIPTION/ CONTENTS
#TLCORD	(1) Bag containing lacing cord for net
#TCBLTIE	(1) Bag containing cable ties
#TNETSTRP	(1) Bag containing (4) each adjustable net hanging straps
#TELBRKT	(1) Bundle contains (2) Elbow Brackets for Dolly Assembly
#TANGBRKT	(1) Bundle contains (4) Angle Brackets
#TAHDW (Part A)	(1) Bag contains (1) 10" Pointed Alignment Rod
#TBHDW (Part B)	Bag contains: (3) 1.5" length threaded (round head) bolts (10) 2" cotter pins (4) Large washers (3) Medium washers (3) Hex Head Locking nuts 11/16"
#TCHDW (Part C)	Bag contains: (4) 2-3/4" Length 1/2" thread (Round head) bolts (4) 11/16" Hex lock nuts (4) washers
#TDHDW (Part D)	Bag contains: (15) 2-3/4" Allen Head Bolts (1/2 thread) (1) 2-3/4" (round head) bolts (1/2 thread) (16) 11/16" Lock Nuts (Hex head) (16) Washers (1) Allen Wrench Tool
#TEHDW (Part E)	Bag Contains: (4) 1.5: x 3/4" HD Full thread Hex Bolt (4) 3/4" Hex HD Lock Nut (4) Washers
#TFHDW (Part F)	Bag Contains: (20) 2" Length Full thread/ Allen Head Bolts (20) Lock Washer inserts (1) Allen Wrench Tool
#TGHDW (Part G)	Bag Contains: (10) 3.5"L (1/4" Thread) Round head Bolts (3/4" Head) (10) 3/4" Hex Lock Nuts (30) Washers (1) 3/4" Wrench Tool
#THHDW (Part H)	Bag Contains: (2) Large Round Head x 2" Length x 1-1/4" Size Bolts (2) 1-1/4" Hex Head Lock Nuts (2) Ring Spacers (4) Large Washers
TIHDW (Part I)	Bag Contains: (2) 3" Tube Spacers (4) 2-3/4" Tube Spacers (2) Adjustable Tire Pins (2-3/4" Length) (18) Large Washers (3) Large Ring Spacers
TJHDW (Part J)	Bag Contains: (3) 11.5" Wheel Shaft



1. ALWAYS INSPECT THE ROLLAWAY CAGE BEFORE EACH USE. ESPECIALLY AFTER LENGTHY STORAGE PERIODS.
2. INSPECT NETS FOR HOLES BEFORE USE AND REPAIR HOLES BEFORE USE
3. BE SURE ALL PIECES ARE SECURELY FASTENED AND BOLTS/ NUTS PROPERLY TIGHTENED.
4. TAKE SPECIAL CARE WHEN LIFTING CAGE TO ERECTED HEIGHT. BE SURE TO USE AT LEAST 2 PERSONS WHEN LIFTING WITH PUSH BARS.
5. BE SURE PUSH BARS ARE PROPERLY SECURED TO RIB FRAMES USING THE DESIGNATED WELDED SLOTS AND SAFETY PINS ARE IN PLACE.
6. WHEN COLLAPSING CAGE FOR STORAGE BE SURE CAGE IS LOWERED EASILY TO ITS CRADLE POSITION AND NOT DROPPED.
7. THE ROLLAWAY CAGE IS NOT DESIGNED TO BE TOWED...DAMAGE CAN OCCUR IF TOWING AT FAST SPEEDS.
8. USE OF CAGE WHEN NOT INSPECTED OR ALTERED IN ANYWAY CAN BE HAZARDOUS AND CAUSE INJURY.
9. BE SURE COACH'S PLATFORMS ARE IN UPRIGHT POSITION BEFORE TRANSPORT OR STORAGE.
10. ALWAYS BE AWARE OF SURROUNDINGS WHEN MOVING CAGE, ESPECIALLY WHEN CAGE IS IN UPRIGHT OPEN POSITION. STAY AWAY FROM POWER LINES AND OTHER LOW HANGING POWER CABLES.
11. FOR ANY QUESTIONS WITH REGARDS TO INSPECTING THE CAGE, OR REPLACEMENT PARTS PLEASE CALL 888-313-1303.

RECOMMENDED TOOLS:

- RUBBER MALLET
- ADJUSTABLE WRENCHES/ SOCKET SETS
- PHILLIPS HEAD SCREW DRIVER
- ALLEN WRENCHES
- LADDER OF APPROPRIATE HEIGHT TO HANG NET
(OTHER TOOLS MAY BE NEEDED AS NECESSARY TO COMPLETE TASK, PLEASE USE SAFE DISCRETION AS TO NOT DAMAGE PARTS OR STRIP BOLTS/ NUTS)



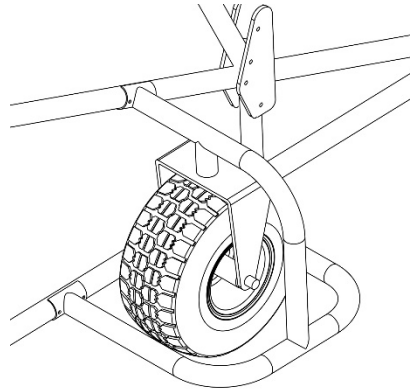
PART IDENTIFICATION

#	ITEM #	DESCRIPTION
1	TBKFRM	BACK FRAME ASSEMBLY
2	TDOLLEY	DOLLEY ASSEMBLY
3	TCHPLT	COACH PLATFORMS
4	TPSHBAR	STRAIGHT PUSH BARS WITH SAFETY PINS
5	TSTFRM	STRAIGHT FRAME RIB PIECE
6	TRIBFRM	CURVED RIB FRAME PIECE
7	TDSWPRTTR	SIDE WHEEL PROTECTOR FRAME
8	TVFRM	'V' SHAPE LOWER FRAME
9	TSTFRM	STRAIGHT FRAME UPRIGHT PIECE

STEP 1

- BEGIN BY FINDING A FLAT DRY SURFACE TO LAY OUT ALL PIECES FOR ASSEMBLY
- IDENTIFY ALL PARTS AND BE SURE ALL PIECES ARE PRESENT

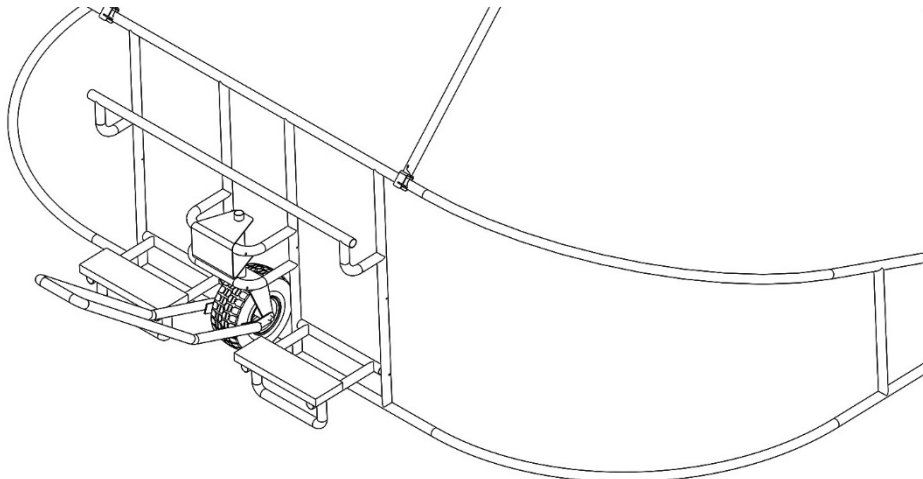
STEP 2



1. Attach EACH Wheel protector frame assembly (#7) to EACH 'V' shaped lower frame (#8) Using 16 each 2-3/4" Allen Head Bolts in hardware bag (Part D) and 16 each 11/16" hex head lock nuts along with 16 each washer provided. (Washer will go on hex nut side of frame).

(Note: The front welded bracket on 'V' Frame will be the front of the cage, make sure wheel protector frame is attached to outside of V Frame Assembly)

STEP 3 (Back Frame Assembly)



Attach each rear section of 'V' shape lower frame (#8) to each side of back frame assembly using (2)ea (#6) curved rib frame piece on each side. (Back frame assembly is pre-welded without dolly assembly attached).

Use 2" length full thread Allen head bolts from hardware bag (Part F) and Lock washer inserts (also in Part F bag). Allen wrench tool is provided if needed. Use 10" pointed alignment rod if needed to help align hole with lock washer. Be sure all bolts are secured tight.

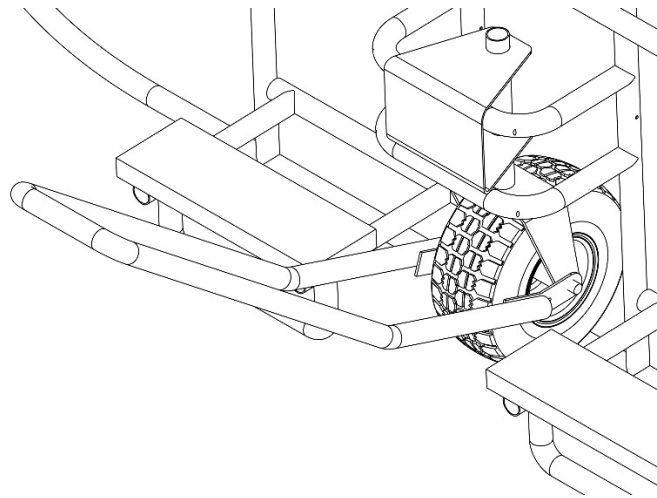
STEP 4 (Wheel assembly)



1. Locate (2) turf tires and mounting plate shown in illustration above. Hardware for the wheel assembly is located in bag 'Part I'. Wheel shafts are located in 'Part J'
1. Attach mounting plate to turf tire using tire shaft and washers as shown in pictures above. Be sure to use washer and tube spacer on each side of wheel shaft to allow wheel shaft to spin freely. (Figures 2,3) Heavy duty cotter pins will be use to hold wheel shaft in place. Once tire is secured to mounting plate, attach mounting plate to frame protector assembly by pushing the plate wheel shaft into wheel protector opening and securing with adjustable lock pin shown in Figure 1.

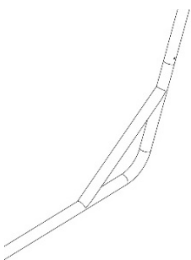
STEP 5 (DOLLEY ASSMEBLY)





1. Attach dolly assembly mounting plates as shown in pictures above. Be sure black mounting shaft is attached to plate as shown using proper ring spacer between tire mounting plate and shaft.
2. Using (2) Elbow brackets, dolly handle, wheel shaft, and hardware in bag (Part E). Begin assembly as shown in pictures above. Be sure that the heads of the bolts are on the inside of the mounting plate facing the tires and the nuts are on the outside of the mounting plates. Be sure to use washers and wheel shaft to mount tire same as in Step 4. Use heavy duty cotter pins to secure wheel shaft in place. The mounting plate will be inserted to upper shaft of mounting plate. It may take 2 persons to lift back frame assembly to properly mount dolly assembly inside the upper wheel shaft. The weight of the cage keeps the dolly assembly in place.

STEP 6 (ATTACHING FRONT CORNER FRAME)



1. Locate corner frames shown above. Mount each side to mounting bracket on front of 'V' shaped lower frame assembly. Also secure V frame to already welded front bracket as well. Use 3.5"L bolts and nuts and washers provided in hardware bag (Part G).

STEP 7 (ATTACHING ANGLE BRACKETS)



1. Using same bolts, nuts, and washers from Step 6 above, attach angle bracket to 'V' shape lower frame. The bracket will attach midway up the frame on holes provided. NOTE: LOOSELY attach bracket to lower frame assembly only to allow openings to attach rib frame assemblies in Step 8.

STEP 8 (UPPER RIB FRAME ASSEMBLY)

Figure 1:

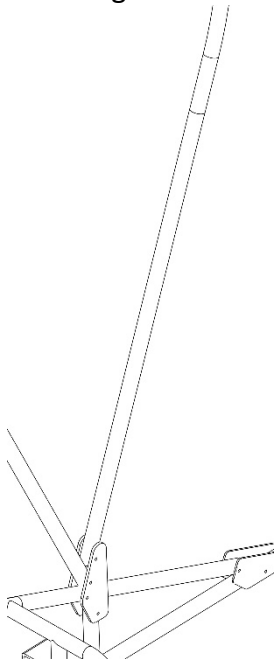
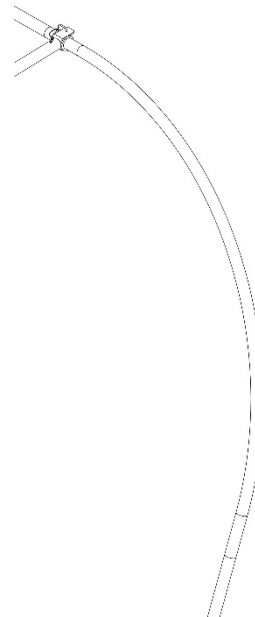


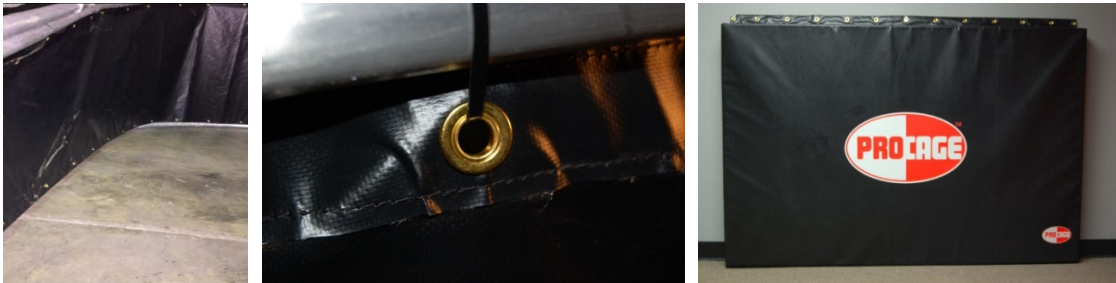
Figure 2:



1. Lay out all rib curved rib frames and all straight pipes to begin upper rib frame assembly.

2. Begin by attaching curved rib frame to each side of a 78" straight pipe securing with 2" full thread allen head bolts and lock washer inserts.
3. The curved rib frame that is attached in the front of the cage will also need a 64" straight pipe on each side to make up for height and attached to front reinforced corner frame.
4. Once each rib section is assembled begin attaching to angle brackets from Step 7. And secured tightly with same bolts used in Step 7. It will require 2 persons to lift section and add in place.
****At this point please go back to all nuts and bolts and be sure all are properly tightened. Take care not to over tighten bolts or nuts.**
5. At this point the cage will be in the dropped down form.

STEP 9 (ATTACHING VINYL SKIRT AND THUD PAD)



1. Lay out the Vinyl skirt to get an idea of the layout. The 'ProCage™' logo will face the front and should be upright. This will help with proper alignment. Use zip ties to mock up layout pattern by using zip ties in a few areas to make easier for using lacing twine to attach. You may also use only zip ties if you choose. Be sure skirt is tight and matches perfectly with shape of the frame. Some small spacing is ok on top and bottom.
2. Attach thud pad in front center of cage and skirt by using zip ties or lacing twine.

STEP 10 (ATTACH FRAME PADDING)



1. Using picture above as reference add padding to each section as shown. Pads will be secured with attached Velcro. At this stage the cage will still be in lowered position.
2. Add pads to each lifting bar. Once completed and using two people, lift the cage into upright position using the lifting bars. There are pre-welded guides in order to attach lifting bars using secured locking pins attached to lifting bars with safety cable.
3. Erect cage into full lifted position to begin Step 11.

STEP 11 (Net installation)



1. Unpack net and lay out under the cage. Position the net with the attached baffle net on the bottom side of the net and towards the back of the cage. Locate net tags to guide you for correct position.
2. Using (4) adjustable net hanging straps and a ladder. Safely attach net to underneath cross bars. The net straps should be loose enough that the net hangs about 12" below the frame. Be sure that the net is not attached to lifting bars. Only the cross rib sections. The adjustable hanging straps are a temporary tool to help position the net and hold into place while lacing the net.
3. Use several zip ties to position net along top of vinyl skirt and side frames.
4. Use lacing twine to secure net on the front rib section and also on rib frame above vinyl skirt. The net will also be laced along the front lower reinforced corner. See picture above for reference.
5. The two middle rib sections will only require the precut cords spaced evenly along the perimeter if the rib sections. Tie precut cords in a loop fashion to allow the net to hang about 8-12" below the frame. This will help prevent ricochet on the middle rib sections.

STEP 12 (Coaches platforms)



1. Install pre-assembled coach's platforms on each side of dolly assembly by inserting long rod through back frame assembly and inside shaft of coach's platform as shown in pictures above. Secure with heavy duty cotter pins.
2. Be sure all bolts underneath platform are secure.
3. The coach's platform can be lifted to an upright position for transport and storage by locking into place with safety pin already attached to back frame assembly.

IMPORTANT: INSPECT BEFORE USE!

1. Once all components are assembled be sure to make a final check of all components.
2. Be sure all components are tight and installed properly.
3. Test lowering the cage and raising to be sure net does not prevent cage from lowering properly. (If this happens check to make sure you did not secure net in wrong area)
4. Move cage using dolly assembly by pushing down on the handle to lift rear of cage. This will allow easier steering when moving cage to desired location or storage.
5. Side wheels are able to turn sideways by changing position of locking pin and turning wheel to the side. Be sure to reinstall locking pin once wheel is in spot needed. This will allow for easier storage in tight spaces.

THANK YOU FOR PURCHASING THE TRIGON SPORTS ProCage™ ROLLAWAY BATTING CAGE. FOR OTHER GREAT BASEBALL/ SOFTBALL PRODUCTS VISIT US ON THE WEB WWW.TRIGONSPORTS.COM OR CONTACT A LOCAL TEAM DEALER!