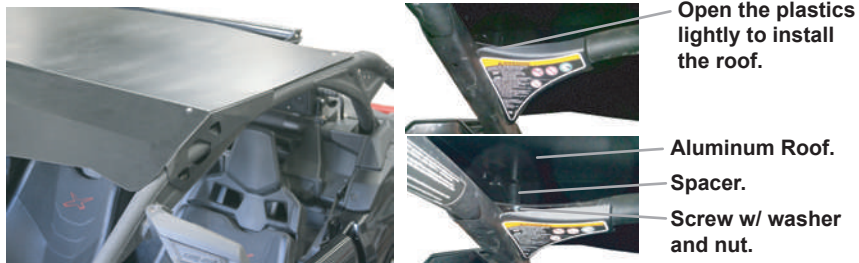


5 Add the perimetral tape (Included) on the top of the roof's tubes, to avoid the rattling sound.

6 Place the Aluminium Roof and fasten the rear part with two 1/4" x 1" screws with 2 washers and 1 nut. Do not tighten yet.

7 Using two 1 3/4" spacers (Included), place the two 1/4" x 2 1/2" screws on the front of the roof, with washers and nuts (Included).



Use the 1 3/4 Spacers for the Front Screws.

8 Tighten all the screws to finish.

For technical support , please write us to:
info@afxmotorsports.com or call us at:
Ph. 956-242-6521

HAVE FUN AND A SAFE RIDE!



www.afxmotorsports.com
4610 Modern Lane, Laredo, TX 78041 Ph. 956-242-6521

THIS PRODUCT IS FOR OFF ROAD USE ONLY

ALUMINUM ROOF INSTALLATION MANUAL



CAN AM X3 / X DS / X RS

SKU TEC028

THANK YOU!

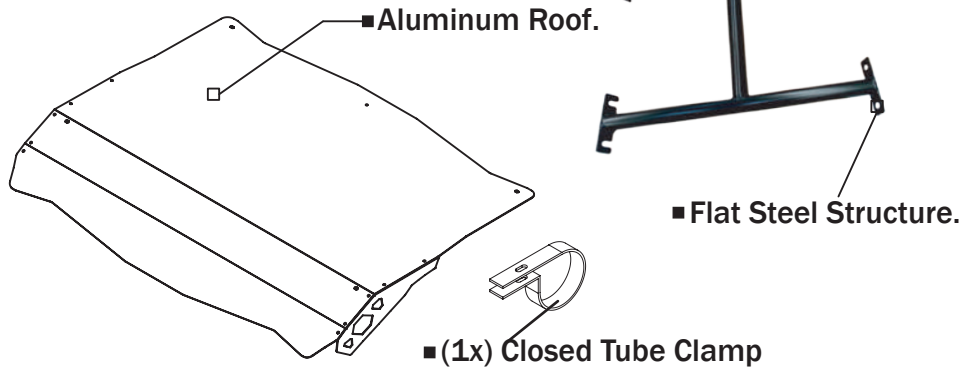
FOR PURCHASING AT AFX MOTORSPORTS



ALUMINUM ROOF FOR CAN AM X3 2 SEATER

HOW TO INSTALL

Pieces included:



Hardware:

- (2x) 1/4" x 1" Bolts with washers and nuts.
- (2x) 1/4" x 2 1/2" Bolts with washers and nuts.
- (1x) 1/4" x 1 1/2" Bolt with washer and nut.
- (2x) 1 3/4" Spacers.
- (1x) 1/2" Anti-rattling Strip.

Tools needed (Not Included):

- 3/4" Wrench.
- 5/32" Allen Key.
- 7/16" or 14 mm Combination Wrench.

TIP: Install the Bolts Finger tight at first until all hardware has been installed.

Liability Statement

AFX Motorsports products are designed to best fit user's ATV/UTV under stock conditions. Adding, modifying, or fabricating any factory or aftermarket parts will void any warranty provided by AFX Motorsports and is not recommended. AFX Motorsports products could interfere with other aftermarket accessories. If user has aftermarket products on machine, contact AFX Motorsports to verify that they will work together. Although AFX Motorsports has thousands of satisfied customers, user should be aware that installing bumpers, rock sliders, spare tire carriers, etc. will change the ride of machine and may increase maintenance and part wear. Operating any off-road machine while, or after, consuming alcohol and/or drugs increases risk of bodily harm or death. No warranty or representation is made as to this product's ability to protect user from severe injury or death. AFX Motorsports urges operators and occupants to wear a helmet and appropriate riding gear at all times. By purchasing and installing AFX Motorsports products, user agrees that should damages occur, AFX Motorsports will not be held responsible for loss of time, use, labor fees, replacement parts, or freight charges. AFX Motorsports, nor any 3rd party, will not be held responsible for any direct, indirect, incidental, special, or consequential damages that result from any product purchased from AFX Motorsports. The total liability of seller to user for all damages, losses, and causes of action, if any, shall not exceed the total purchase price paid for the product that gave rise to the claim. AFX Motorsports will warranty only parts provided by AFX Motorsports. Any damage or problems with OEM housings, bearings, seals, or other manufacturers' products will not be covered by AFX Motorsports. AFX Motorsports parts and products are not warranted if item was not installed properly, misused, or modified.

1

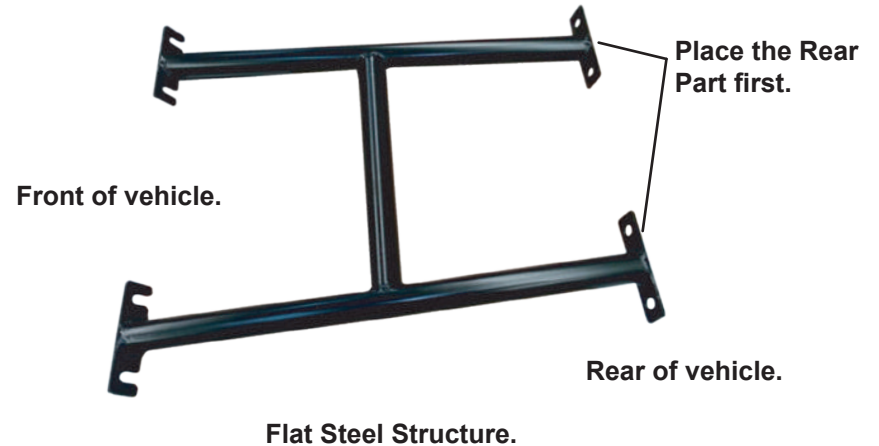
In case of having the OEM Plastic Roof: Uninstall the original plastic roof of the vehicle, removing the screws located on the rear and front part of the roof.

2

With an 3/4" wrench, remove the 4 nuts that holds the center tubular structure of the roof and uninstall the structure. Keep the nuts.

3

Place the flat steel structure of 1 5/8" high impact steel tubes, as shown on the image below, by starting from rear to front.



4

Once the structure is placed, fasten it with the 4 original nuts and tighten them.

5

Use the closed tube clamp to adjust the center hole on the roof with the hole on the clamp and tighten with a 1/4 x2 1/2 2 bolt (Use nuts and washers as well)