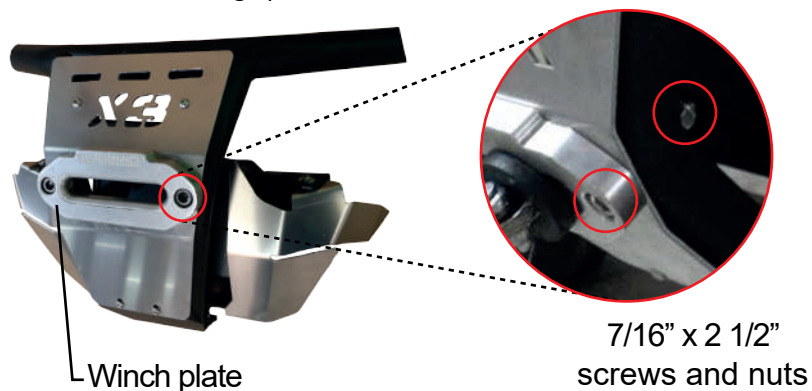


- 11** Install the winch plate using two 7/16" x 2 1/2" screws with nuts, repeat the process with both perforations (as it is shown in the image).



* For safety tighten all the screws.

Now you have completed the installation.

For technical support , please write us to:
info@afxmotorsports.com or call us at:
Ph. 956-242-6521

HAVE FUN AND A SAFE RIDE!



www.afxmotorsports.com

4610 Modern Lane, Laredo, TX 78041 Ph. 956-242-6521

THIS PRODUCT IS FOR OFF ROAD USE ONLY

FRONT BUMPER WITH WINCH INSTALLATION MANUAL



CAN AM X3

SKU DEF038

THANK YOU!

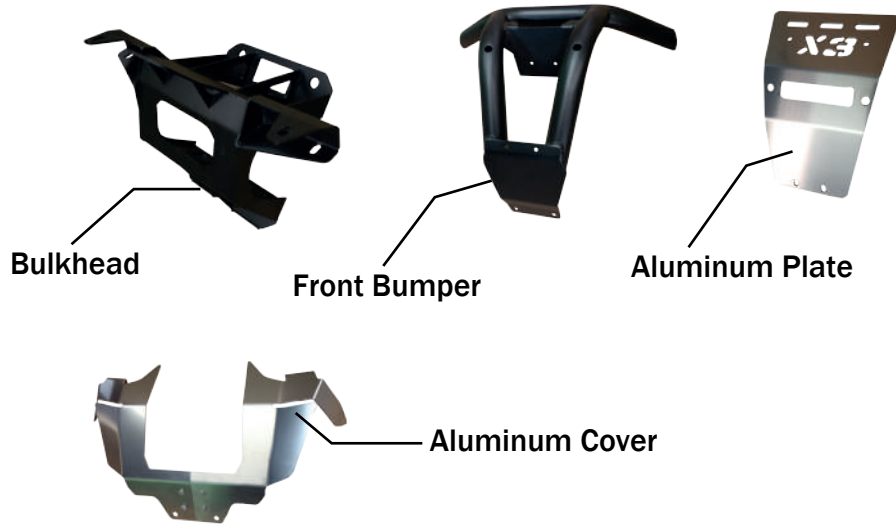
FOR PURCHASING AT AFX MOTORSPORTS



STEEL FRONT BUMPER WITH WINCH FOR CAN AM X3

HOW TO INSTALL

Pieces included:



Hardware:

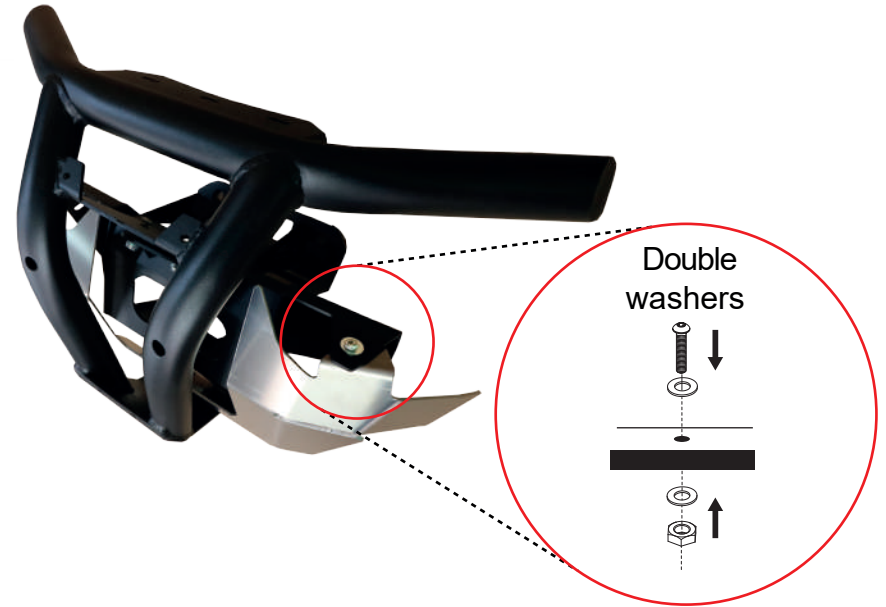
- (4x) 1/4" x 1 1/2" Bolts with nuts
- (4x) 1/4" x 1" Bolts with nuts
- (2x) 7/16" x 2 1/2" Bolts with nuts
- (2x) 5/16" x 1" Bolts with nuts
- (4x) 5/16" washers
- (4x) 1/4" washers

Tools needed (Not Included):

- 5/32" Allen Key.
- 7/16" or 14 mm Combination Wrench.

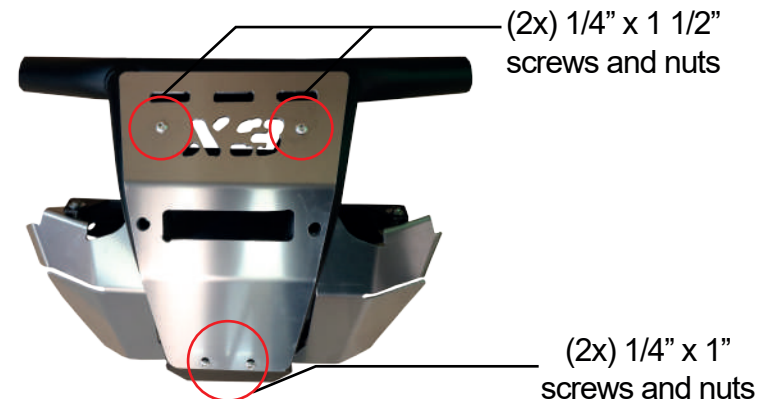
9

Install two 1/4" x 1 1/2" screws with nut and double washer, aligning with the upper perforations of the bulkhead and the aluminum cover (as it shown in the image).

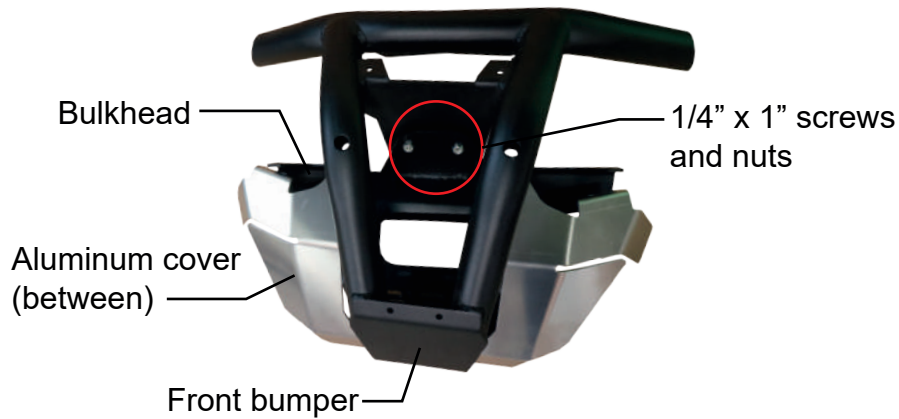


10

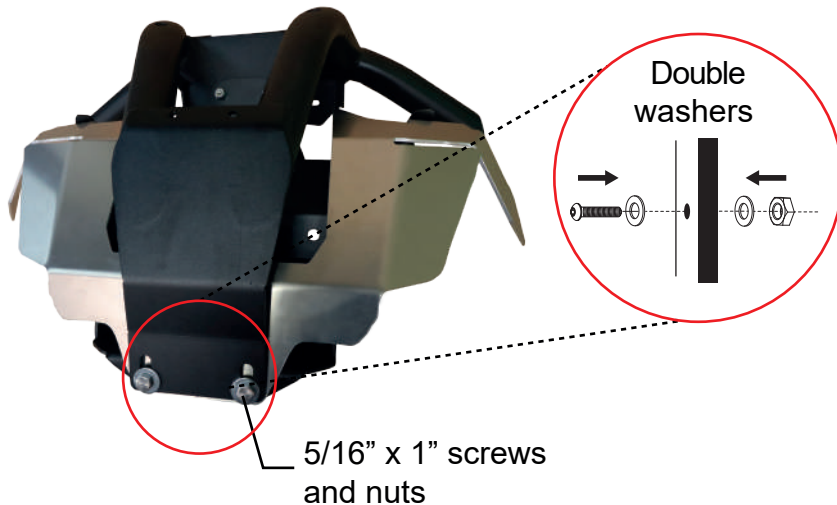
Place the aluminum plate in front of the bumper aligning the perforations. Two 1/4"x 1 1/2" screws with nuts in the upper part of the aluminum plate and two 1/4" x 1" screws and nuts in the lower part of the plate (as it is shown in the image).



7 Install the front bumper with the aluminum cover between the bulkhead and the bumper. Align with the perforations of the bulkhead using 1/4" x 1" screws with nuts (as it shown in the image).



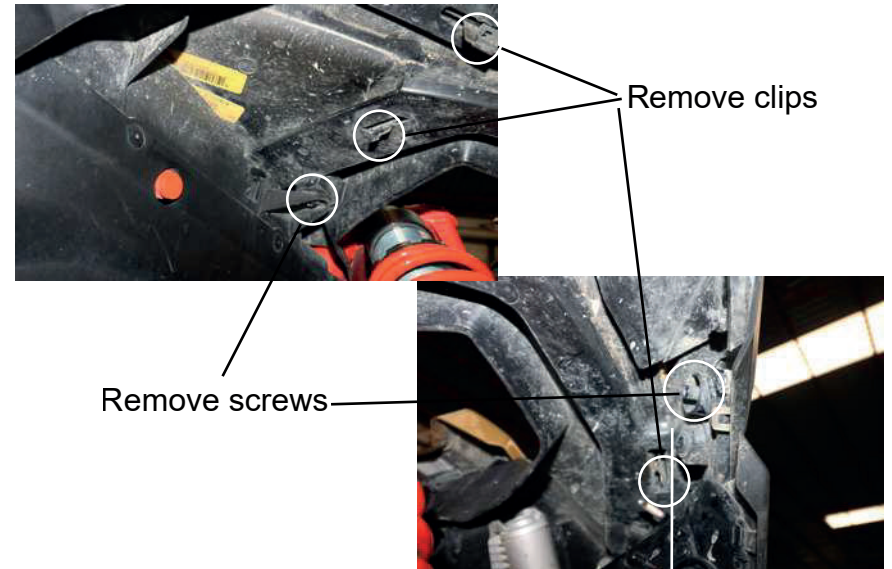
8 Install two 5/16" x 1" screws with nut and double washer, aligning with the botom perforations of the front bumper, aluminum cover and the bulkhead (as it is shown in the image).



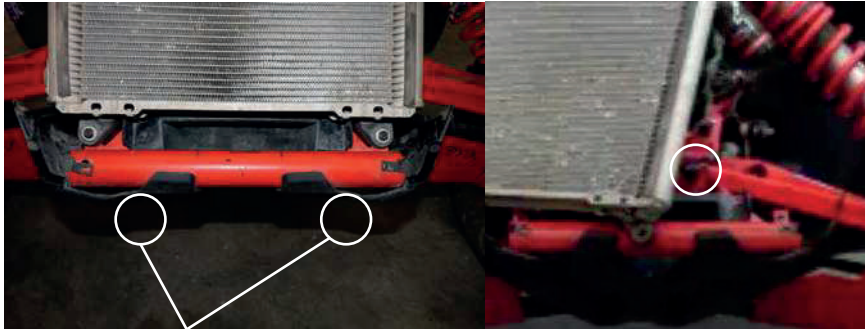
Liability Statement

AFX Motorsports products are designed to best fit user's ATV/UTV under stock conditions. Adding, modifying, or fabricating any factory or aftermarket parts will void any warranty provided by AFX Motorsports and is not recommended. AFX Motorsports products could interfere with other aftermarket accessories. If user has aftermarket products on machine, contact AFX Motorsports to verify that they will work together. Although AFX Motorsports has thousands of satisfied customers, user should be aware that installing bumpers, rock sliders, spare tire carriers, etc. will change the ride of machine and may increase maintenance and part wear. Operating any off-road machine while, or after, consuming alcohol and/or drugs increases risk of bodily harm or death. No warranty or representation is made as to this product's ability to protect user from severe injury or death. AFX Motorsports urges operators and occupants to wear a helmet and appropriate riding gear at all times. By purchasing and installing AFX Motorsports products, user agrees that should damages occur, AFX Motorsports will not be held responsible for loss of time, use, labor fees, replacement parts, or freight charges. AFX Motorsports, nor any 3rd party, will not be held responsible for any direct, indirect, incidental, special, or consequential damages that result from any product purchased from AFX Motorsports. The total liability of seller to user for all damages, losses, and causes of action, if any, shall not exceed the total purchase price paid for the product that gave rise to the claim. AFX Motorsports will warranty only parts provided by AFX Motorsports. Any damage or problems with OEM housings, bearings, seals, or other manufacturers' products will not be covered by AFX Motorsports. AFX Motorsports parts and products are not warrantied if item was not installed properly, misused, or modified.

1 Remove all the screws from the plastic cover, starting with the passenger's side. Locate the first screw in the rollcage and the other three in the plastic cover. You will need to remove all clips under the plastic. Repeat this step on the driver's side and remove the plastic cover.



- 2** Remove the two nuts under the frame of the machine and remove other two nuts behind the radiator (as it is shown in the image). *REMOVE ONLY NUTS, not the screws because you will use them to install the new bulkhead.



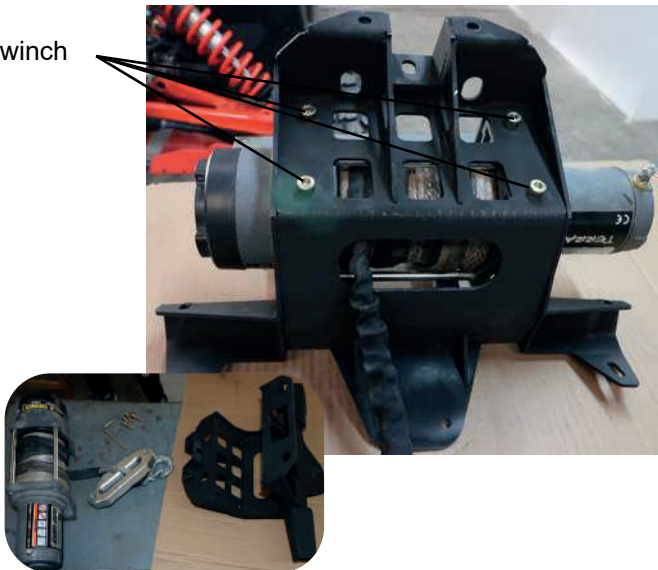
Remove Screws under the frame

Remove Screws Behind radiator

- 3** Take the OEM bulkhead off from the vehicle.

- 4** Attach the New AFX Motorsport's bulkhead with the winch using the Allen key and four original winch screws (As it is shown in the image).

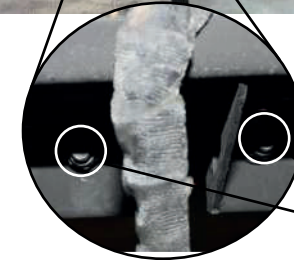
Original winch screw



- 5** Install the new bulkhead with winch using the original screws on the frame and the nut we removed previously.



Nuts Removed Previously



Nuts Removed Previously

- 6** Place the plastic cover again in the vehicle with all the removed screws.

