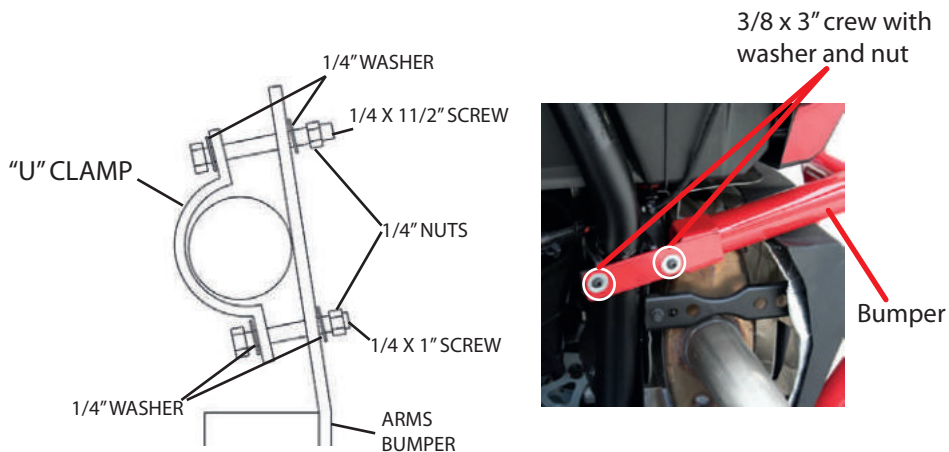


3 Place the "U" CLAMP hardware over the tube (as it is shown in the image). Use a 1/4 x 1" screw and a 1/4 x 1 1/2" screw with double washer and nut (as it is shown in the reference image). Repeat this step on the other side.



4 To finish the installation, tighten all the screws.

For technical support , please write us to:
 info@afxmotorsports.com or call us at:
 Ph. 956-242-6521

HAVE FUN AND A SAFE RIDE!



www.afxmotorsports.com
 4610 Modern Lane, Laredo, TX 78041 Ph. 956-242-6521

THIS PRODUCT IS FOR OFF ROAD USE ONLY

STEEL REAR BUMPER INSTALLATION MANUAL



**Polaris RZR 900 / 1000XP /
 1000XP-4 2014-2018**

**DEF012
 DEF054**

THANK YOU!

FOR PURCHASING AT AFX MOTORSPORTS



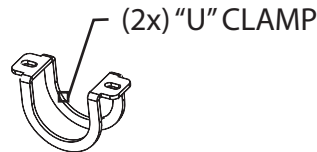
STEEL REAR BUMPER FOR POLARIS RZR

HOW TO INSTALL

Pieces included:



- Rear Bumper.



Hardware:

- (2x) 3/8 x 1" Screw with washer and nut.
- (2x) 1/4 x 2" Screws with nut.
- (2x) 1/4 x 1 1/2" Screws with two washer and nut.
- (2x) 1/4 x 1" Screws with two washer and nut.

Tools needed (Not Included):

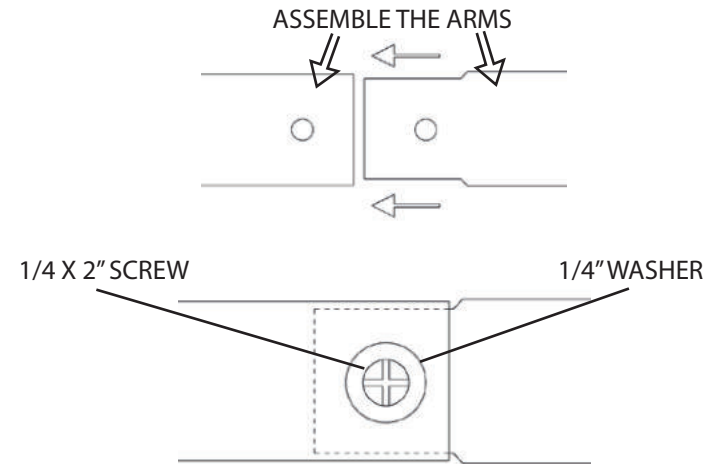
- 3/4" Wrench.
- 7/32" Allen Key.
- 9/16" or 14 mm Combination Wrench.

Liability Statement

AFX Motorsports products are designed to best fit user's ATV/UTV under stock conditions. Adding, modifying, or fabricating any factory or aftermarket parts will void any warranty provided by AFX Motorsports and is not recommended. AFX Motorsports products could interfere with other aftermarket accessories. If user has aftermarket products on machine, contact AFX Motorsports to verify that they will work together. Although AFX Motorsports has thousands of satisfied customers, user should be aware that installing bumpers, rock sliders, spare tire carriers, etc. will change the ride of machine and may increase maintenance and part wear. Operating any off-road machine while, or after, consuming alcohol and/or drugs increases risk of bodily harm or death. No warranty or representation is made as to this product's ability to protect user from severe injury or death. AFX Motorsports urges operators and occupants to wear a helmet and appropriate riding gear at all times. By purchasing and installing AFX Motorsports products, user agrees that should damages occur, AFX Motorsports will not be held responsible for loss of time, use, labor fees, replacement parts, or freight charges. AFX Motorsports, nor any 3rd party, will not be held responsible for any direct, indirect, incidental, special, or consequential damages that result from any product purchased from AFX Motorsports. The total liability of seller to user for all damages, losses, and causes of action, if any, shall not exceed the total purchase price paid for the product that gave rise to the claim. AFX Motorsports will warranty only parts provided by AFX Motorsports. Any damage or problems with OEM housings, bearings, seals, or other manufacturers' products will not be covered by AFX Motorsports. AFX Motorsports parts and products are not warranted if item was not installed properly, misused, or modified.

1

Assemble the arms of the bumper (as it is shown in the image). Use a 1/4 x 2" screw with nut, do not tighten yet (repeat this step on the other side).



2

Locate the perforations that are in the low part of the rear suspension plate. Align the bumper with the perforations (as it is shown in the image). Use two 3/8 x 1" screws with washer and nuts.

Original Perforations

