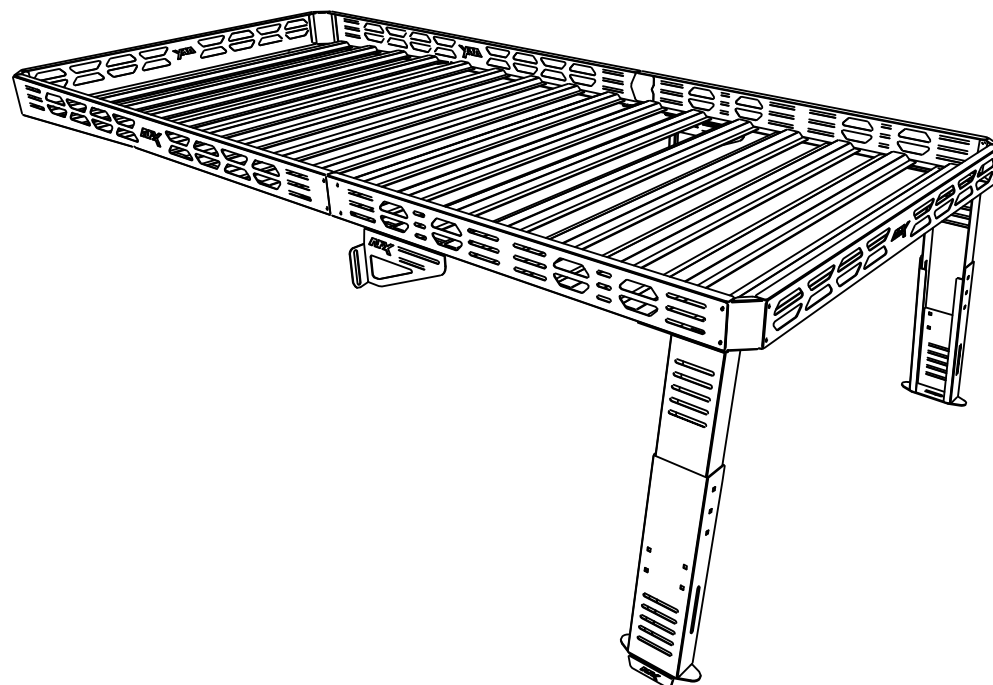




EXTENDED ROOF RACK INSTALLATION MANUAL



For technical support , please write us to:
support@afxmotorsports.com or call us at:
Ph. 956-242-6521

HAVE FUN AND A SAFE RIDE!



www.afxmotorsports.com
4610 Modern Lane, Laredo, TX 78041 Ph. 956-242-6521

THIS PRODUCT IS FOR OFF ROAD USE ONLY

CAN AM DEFENDER 4 SEATER

CAN052

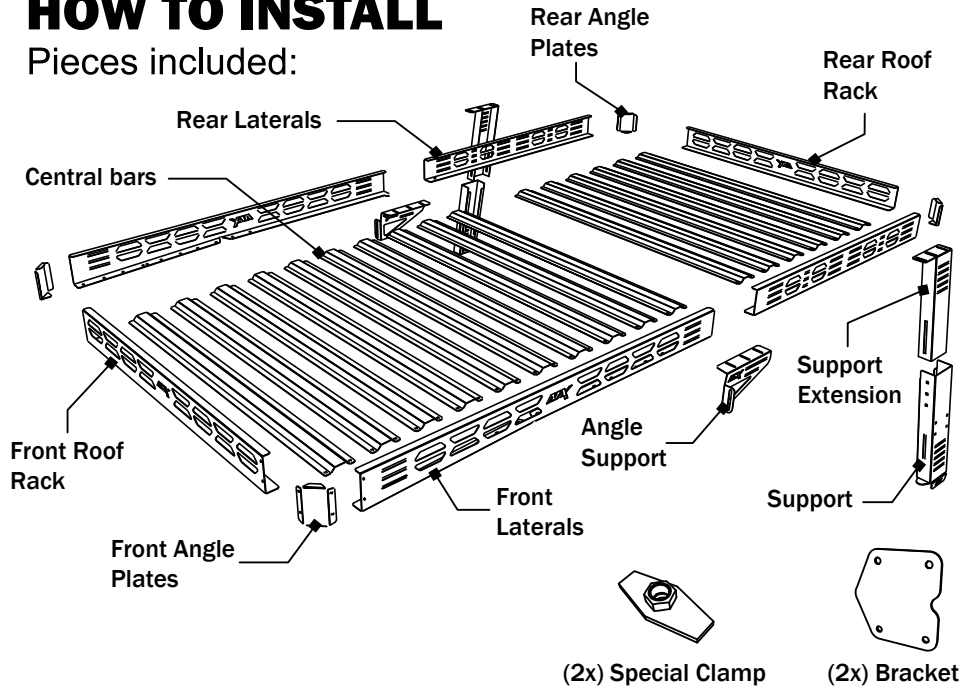
THANK YOU!

FOR PURCHASING AT AFX MOTORSPORTS



HOW TO INSTALL

Pieces included:



- (8x) 1/4" x 1" Screw
- (68x) 1/4" x 1/2" Screw
- (96x) 1/4" Lock nut
- (36x) 1/4" Washer
- (4x) 1/4" x 1 1/2" Screw
- (16x) 1/4" x 3/4" Screw
- (4x) 5/16" Washer
- (4x) 5/16" Lock nut
- (4x) 5/16" x 3/4" Carriage bolt
- (2x) 3/8" Pressure washer
- (2x) 3/8" x 1" Screw
- (2x) 3/8" Washer

Tools Needed (Not Included)

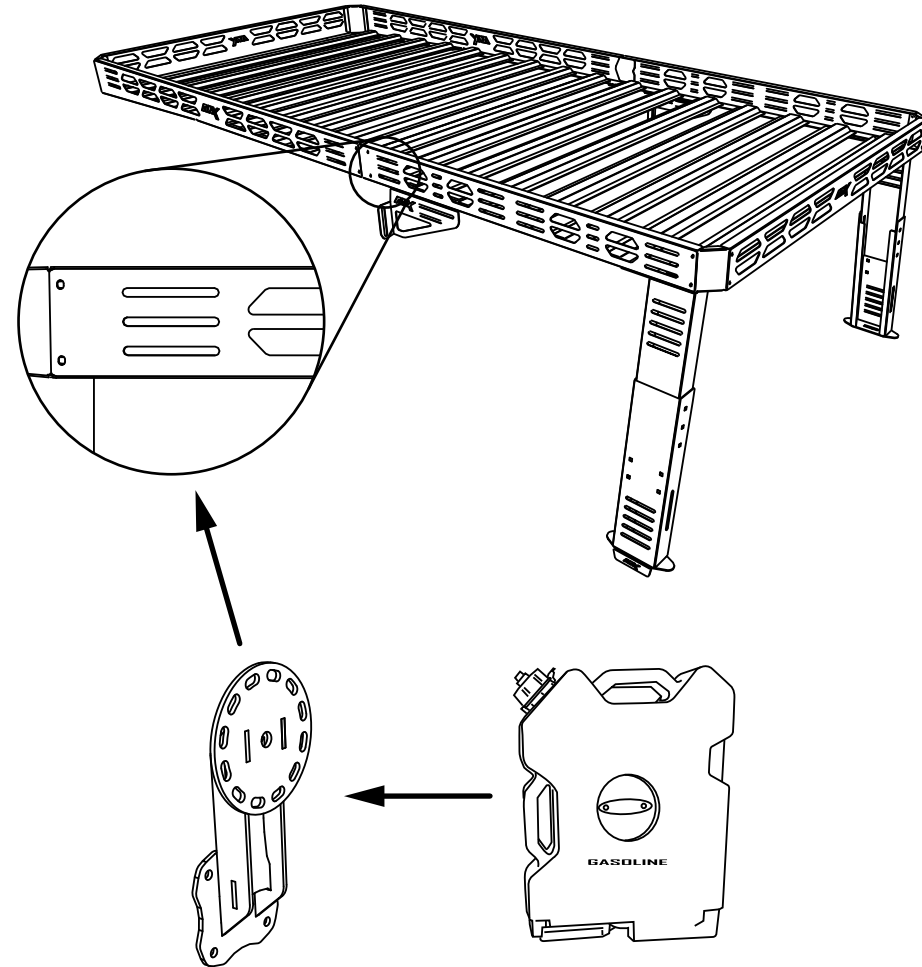
- 5/32" Allen Key
- 7/16" Combination Wrench
- 15 mm Combination Wrench
- 1/2" Combination Wrench

Liability Statement

AFX Motorsports products are designed to best fit user's ATV/UTV under stock conditions. Adding, modifying, or fabricating any factory or aftermarket parts will void any warranty provided by AFX Motorsports and is not recommended. AFX Motorsports products could interfere with other aftermarket accessories. If user has aftermarket products on machine, contact AFX Motorsports to verify that they will work together. Although AFX Motorsports has thousands of satisfied customers, user should be aware that installing bumpers, rock sliders, spare tire carriers, etc. will change the ride of machine and may increase maintenance and part wear. Operating any off-road machine while, or after, consuming alcohol and/or drugs increases risk of bodily harm or death. No warranty or representation is made as to this product's ability to protect user from severe injury or death. AFX Motorsports urges operators and occupants to wear a helmet and appropriate riding gear at all times. By purchasing and installing AFX Motorsports products, user agrees that should damages occur, AFX Motorsports will not be held responsible for loss of time, use, labor fees, replacement parts, or freight charges. AFX Motorsports, nor any 3rd party, will not be held responsible for any direct, indirect, incidental, special, or consequential damages that result from any product purchased from AFX Motorsports. The total liability of seller to user for all damages, losses, and causes of action, if any, shall not exceed the total purchase price paid for the product that gave rise to the claim. AFX Motorsports will warranty only parts provided by AFX Motorsports. Any damage or problems with OEM housings, bearings, seals, or other manufacturers' products will not be covered by AFX Motorsports. AFX Motorsports parts and products are not warranted if item was not installed properly, misused, or modified.

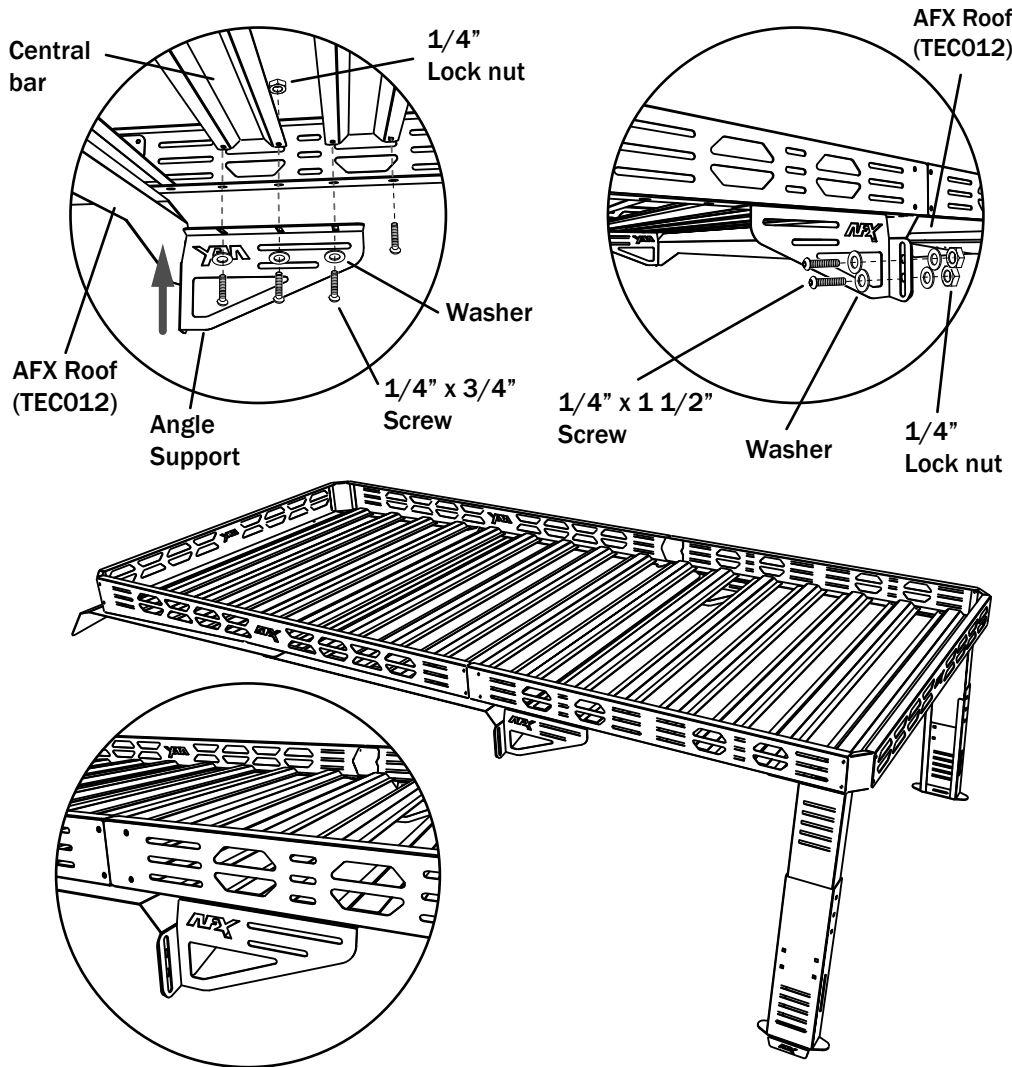
15

The three long perforations located on the laterals are for assemble mounting accessories, such as the Universal Accessory Mounting System Kit (HER018) (Not included), ideal for transporting Gas Tanks, Antennas, Tools and more



Universal Accessory Mounting System Kit (HER018)

- 14** Assemble the Rear laterals with the Angle support and two central bars (as it is shown in the image). Use eight 1/4" x 3/4" screws with six washer and eight nut. Also assemble the Angle support with the AFX Roof (TEC012), Use four 1/4" x 1 1/2" screws with eight washer and four nut. Tighten all the screws

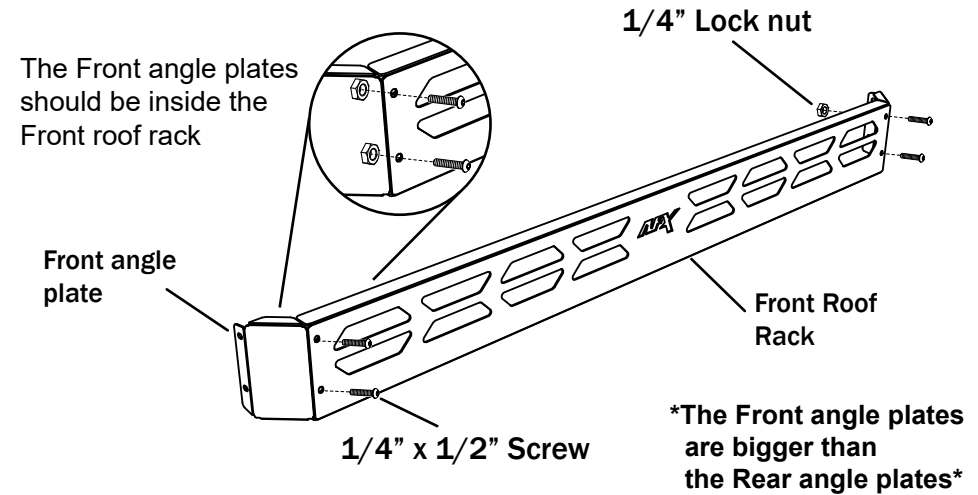


* For safety tighten all the screws *

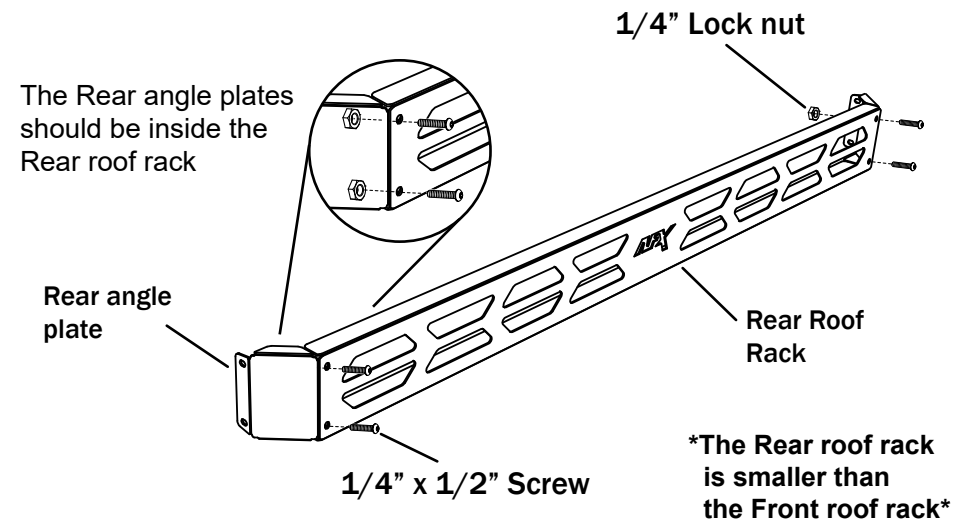
* Tighten the screws in the order that is most comfortable and safe for you, you can start with the laterals, be careful not to misalign the parts *

*** THE ROOF RACK CAN052 CAN ONLY BE INSTALLED OVER THE AFX ALUMINUM ROOF TEC012**

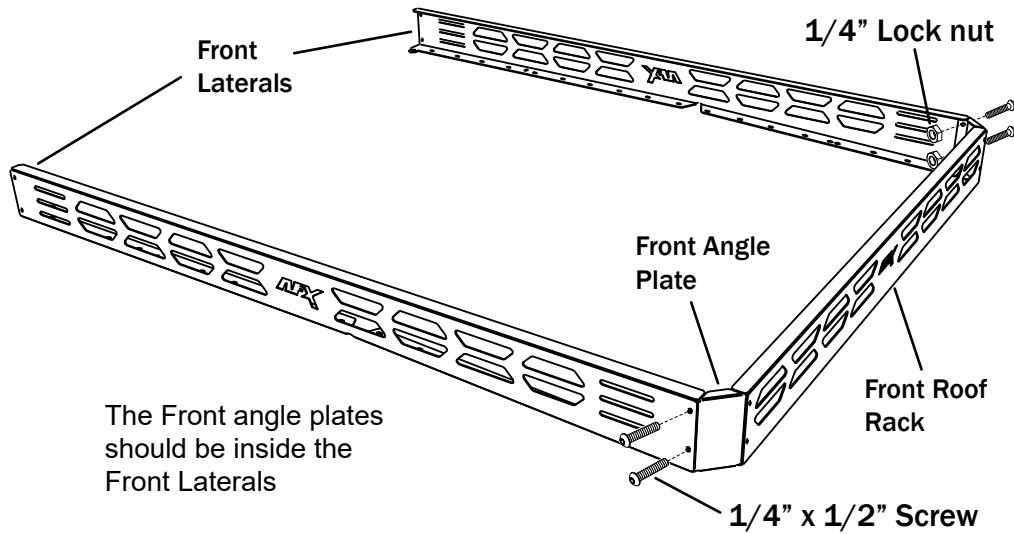
- 1** Assemble the Front of the roof rack with the Front angle plates (as it is shown in the image). Use four 1/4" x 1/2" screws with nuts. **(Do not tighten yet)**



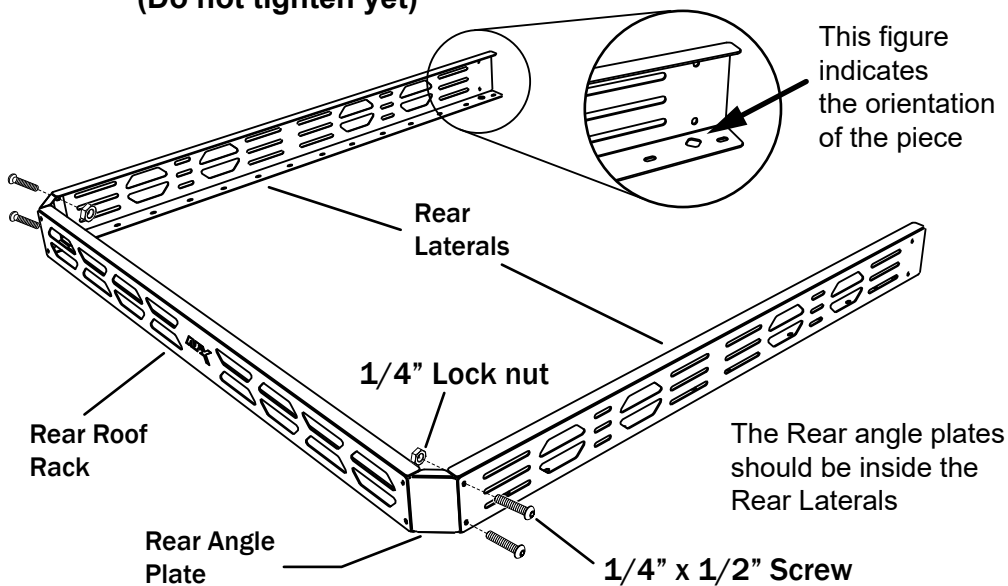
- 2** Assemble the Rear of the roof rack with the Rear angle plates (as it is shown in the image). Use four 1/4" x 1/2" screws with nuts. **(Do not tighten yet)**



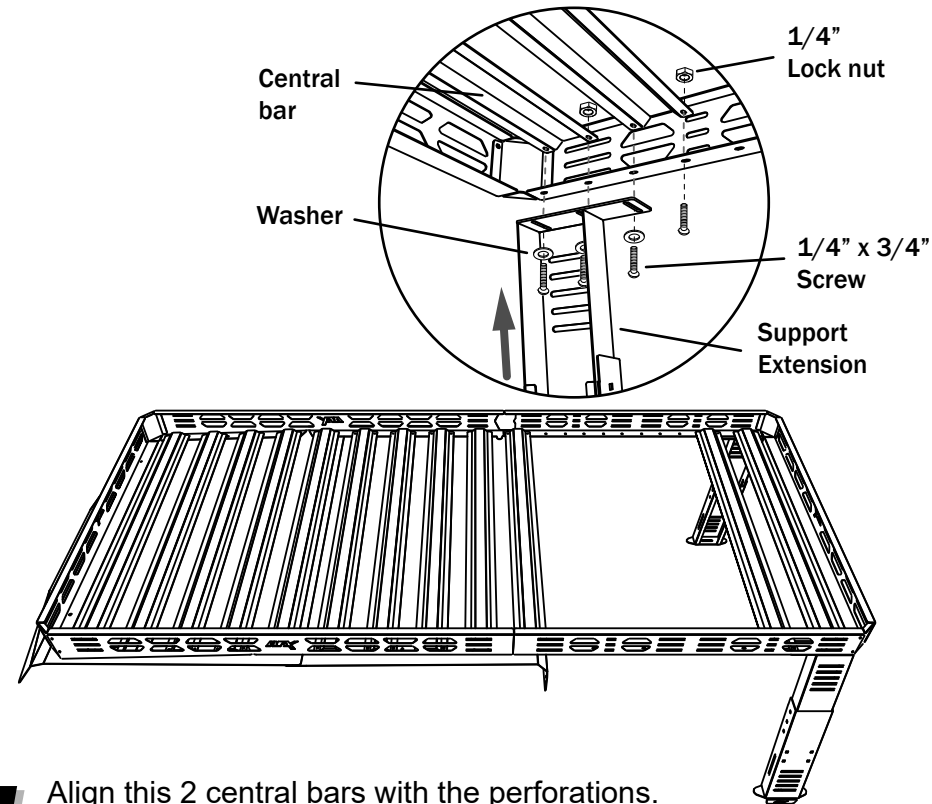
3 Assemble the Front angle plates with the front laterals (as it is shown in the image). Use four 1/4" x 1/2" screws with nuts. **(Do not tighten yet)**



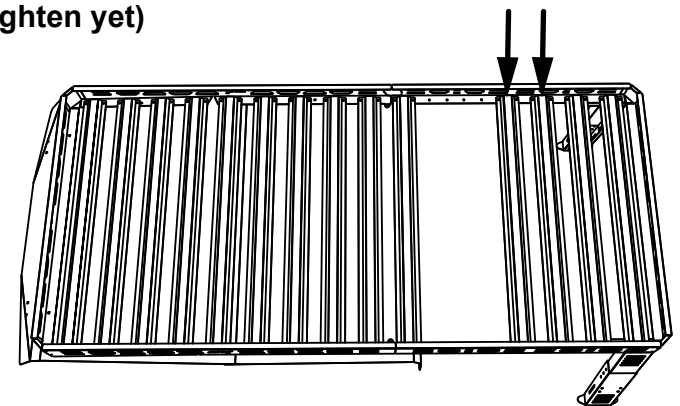
4 Assemble the Rear angle plates with the rear laterals (as it is shown in the image). Use four 1/4" x 1/2" screws with nuts. **(Do not tighten yet)**



12 Assemble the Rear laterals with the Extension support and two central bars (as it is shown in the image). Use eight 1/4" x 3/4" screws with six washer and eight nut, inserting them bottom-up. **(Do not tighten yet)**

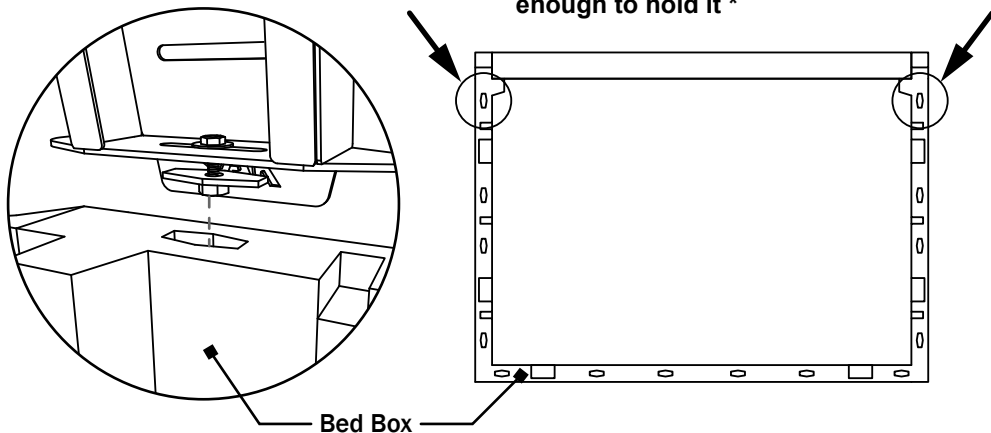


13 Align this 2 central bars with the perforations. Use eight 1/4" x 1/2" screws with nut, inserting them bottom-up. **(Do not tighten yet)**

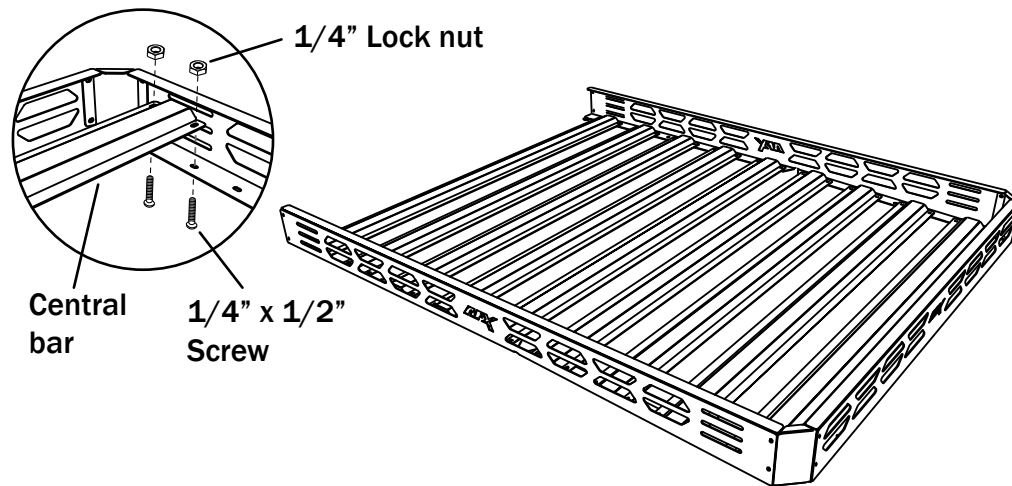


10 Insert the Special clamps in the last slots of the Bed box.
(Do not tighten yet)

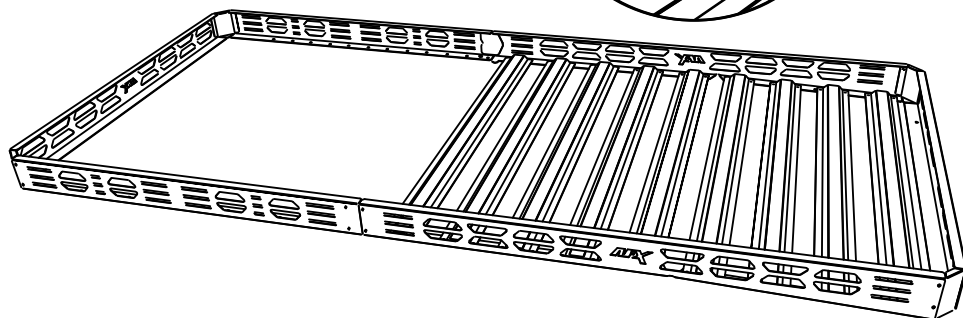
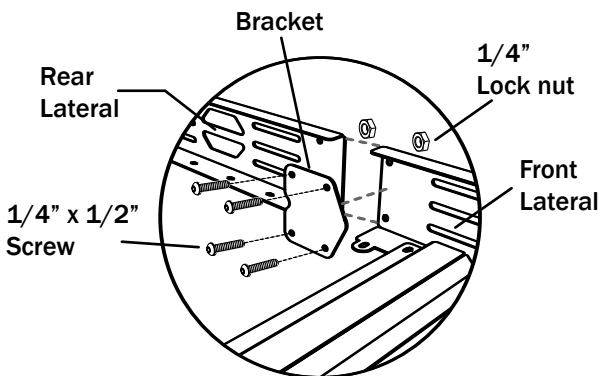
* The screw is not tightened yet, just tighten the Special Clamp enough to hold it *



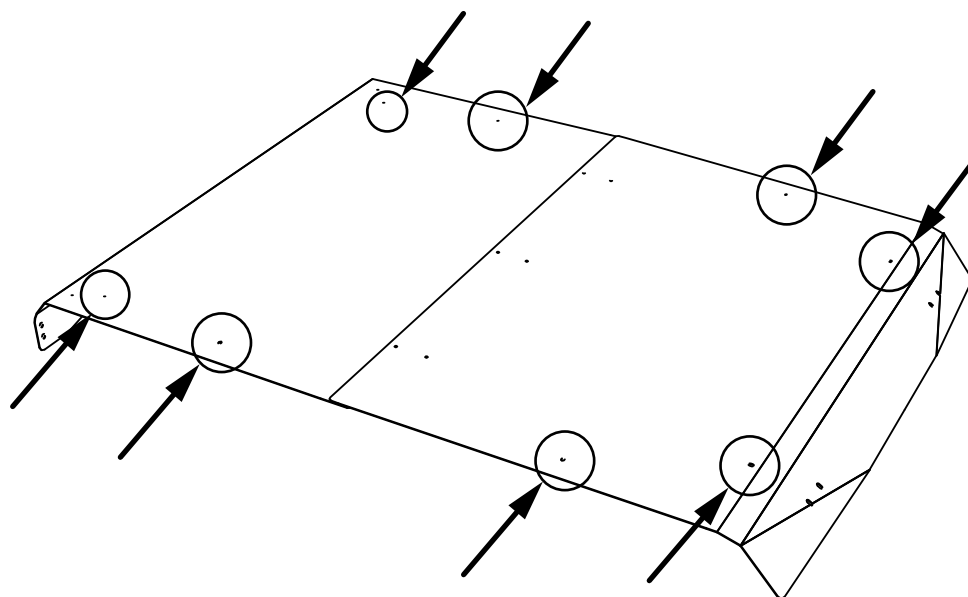
5 Align 9 central bars with the perforations. Use thirty six 1/4" x 1/2" screws with nut, inserting them bottom-up.
(Do no tighten yet)



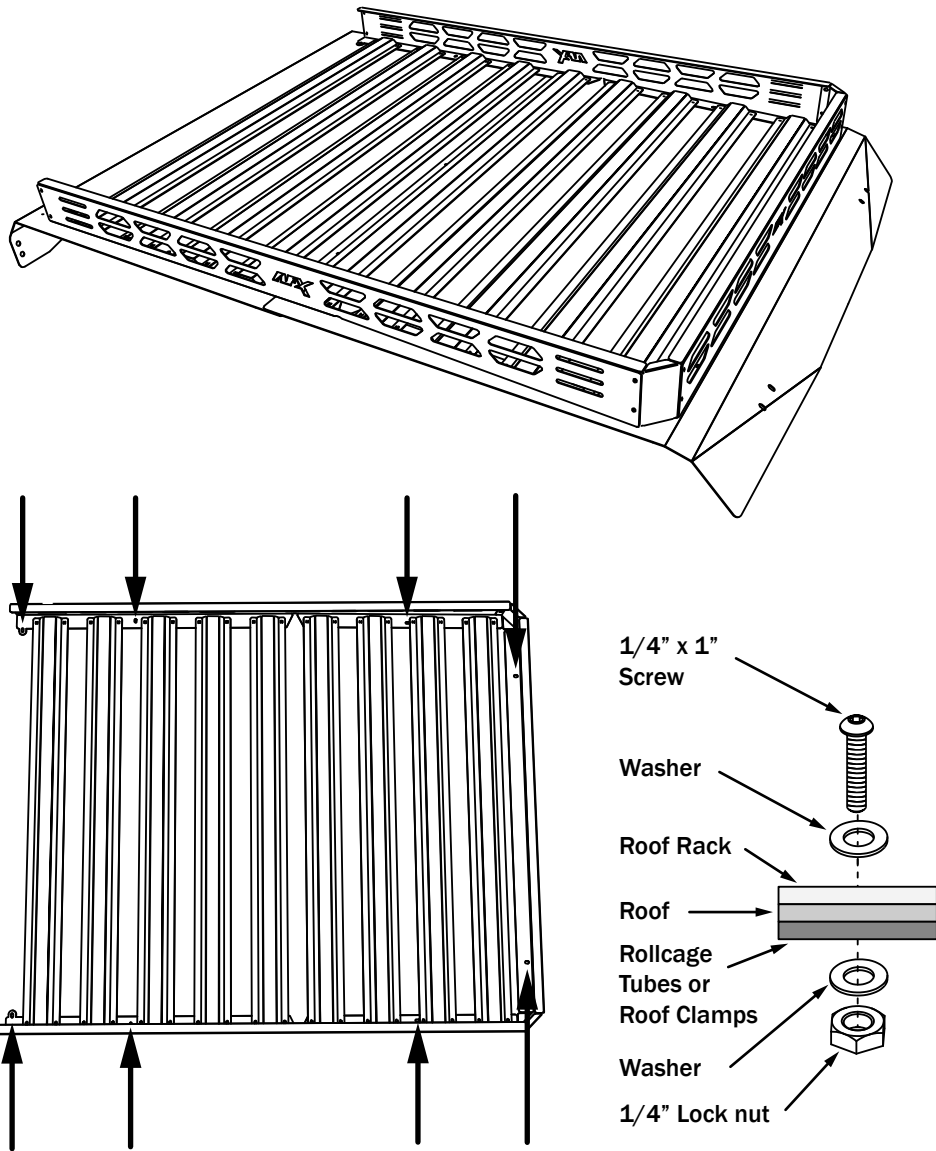
11 Assemble the Front laterals with the Rear laterals using the Bracket (as it is shown in the image). Use eight 1/4" x 1/2" screws with nuts. **(Do not tighten yet)**



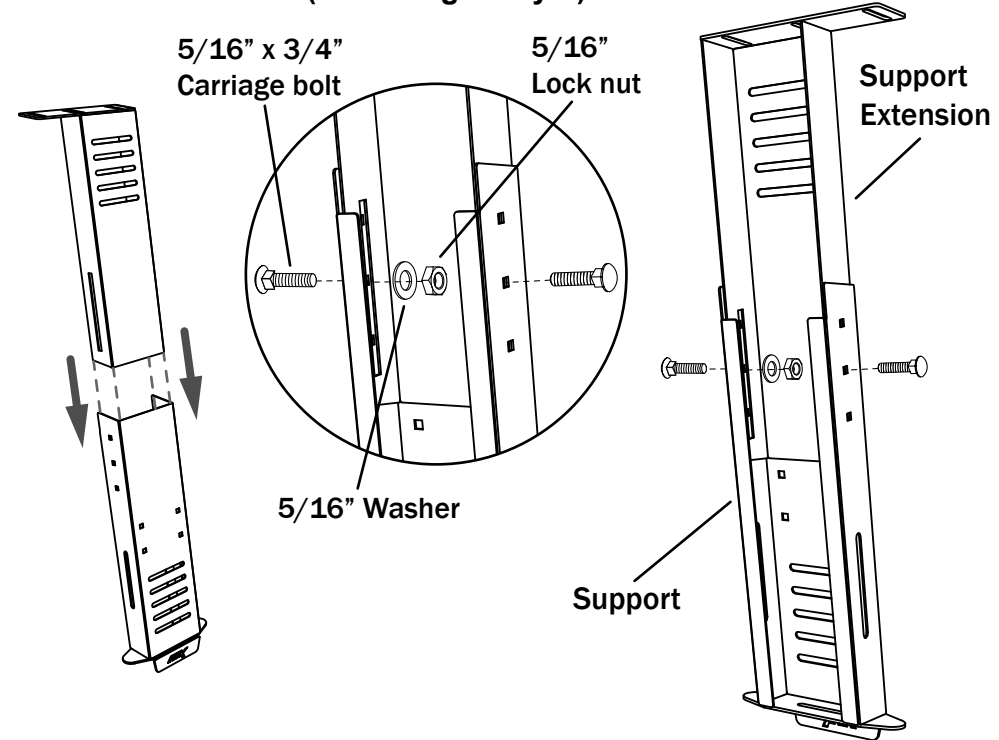
6 If the AFX Roof is already installed, remove the eight screws of the roof



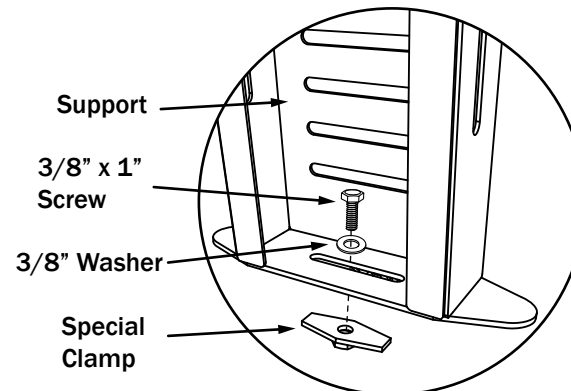
7 With the help of another person, place the complete rack over the AFX ROOF (TEC012) and aligning the perforations. Use eight 1/4" x 1" screws with nut and washers



8 Assemble the Support with the Support extension (as it is shown in the image) remember that there are two in total. Use two 5/16" x 3/4" screws with two washer and two nuts for each. **(Do not tighten yet)**



9 Assemble the Supports with the Special clamps (as it is shown in the image). Use a 3/8" x 1" screws with a washer for each. **(Do not tighten yet)**



* The screw is not tightened yet, just tighten the Special Clamp enough to hold it *

You will need help from another person for the next steps, you have to hold large pieces.