

4 Attach the side plates to the sides of the rear box of the vehicle through the holes using the 6mm x 40mm screws, and place with plane and lock washer, and the cable from the vehicle's bed using the original screws of the vehicle.



5 Remove the screws from the vehicle's bed, finally place the screw for plastic and the flat washers in the holes in the middle of the base.



For technical support, please write us to:
info@afxmotorsports.com or call us at:
Ph. 956-242-6521

HAVE FUN AND A SAFE RIDE!

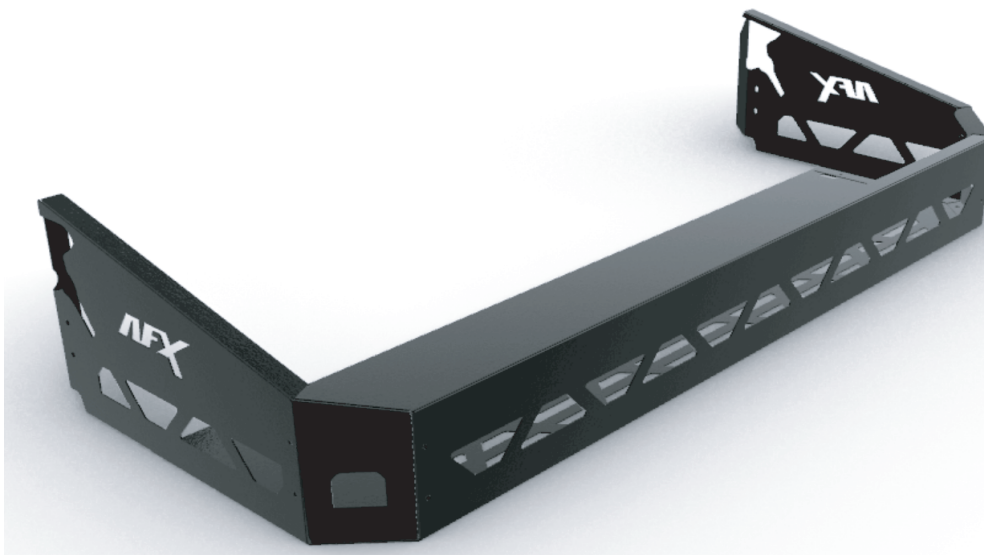


www.afxmotorsports.com

4610 Modern Lane, Laredo, TX 78041 Ph. 956-242-6521

THIS PRODUCT IS FOR OFF ROAD USE ONLY

BED EXTENSION INSTALLATION MANUAL



CAN AM DEFENDER 2018-2022

ACC110

THANK YOU!

FOR PURCHASING AT AFX MOTORSPORTS



HOW TO INSTALL

Pieces included:



■ (X2) Angle plates



■ (X2) Side plates



■ (X1) Base



■ (X1) Front Plate

- (19x) 1/4" X 1/2" bolt and lock nuts
- (2x) 1/4" x 1 1/2" Screw for plastic
- (4x) 6mm x 40mm Screw
- (6x) 1/4" Washers
- (4x) 1/4" Lock Washers

Tools needed (Not Included):

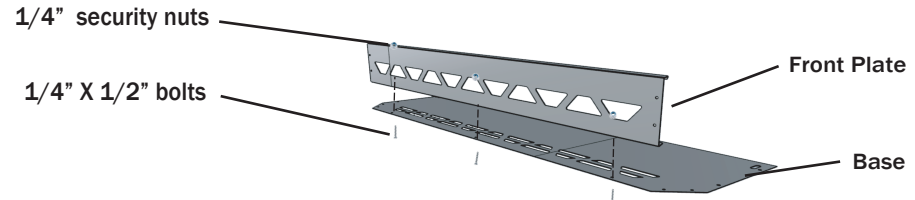
- 7/16" Combination Wrench
- Phillips Screwdriver
- 7/32" Allen Key
- 10 mm Combination Wrench

Liability Statement

AF1 Motorsports products are designed to best fit user's ATV/UTV under stock conditions. Adding, modifying, or fabricating any factory or aftermarket parts will void any warranty provided by AF1 Motorsports and is not recommended. AF1 Motorsports products could interfere with other aftermarket accessories. If user has aftermarket products on machine, contact AF1 Motorsports to verify that they will work together. Although AF1 Motorsports has thousands of satisfied customers, user should be aware that installing bumpers, rock sliders, spare tire carriers, etc. will change the ride of machine and may increase maintenance and part wear. Operating any off-road machine while, or after, consuming alcohol and/or drugs increases risk of bodily harm or death. No warranty or representation is made as to this product's ability to protect user from severe injury or death. AF1 Motorsports urges operators and occupants to wear a helmet and appropriate riding gear at all times. By purchasing and installing AF1 Motorsports products, user agrees that should damages occur, AF1 Motorsports will not be held responsible for loss of time, use, labor fees, replacement parts, or freight charges. AF1 Motorsports, nor any 3rd party, will not be held responsible for any direct, indirect, incidental, special, or consequential damages that result from any product purchased from AF1 Motorsports. The total liability of seller to user for all damages, losses, and causes of action, if any, shall not exceed the total purchase price paid for the product that gave rise to the claim. AF1 Motorsports will warranty only parts provided by AF1 Motorsports. Any damage or problems with OEM housings, bearings, seals, or other manufacturers' products will not be covered by AF1 Motorsports. AF1 Motorsports parts and products are not warrantied if item was not installed properly, misused, or modified.

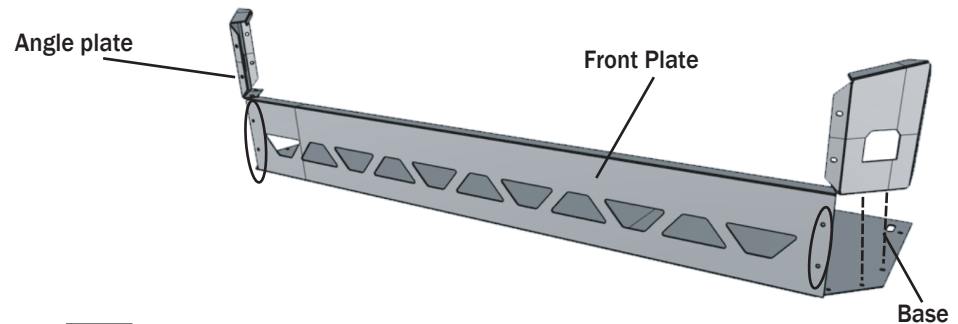
1

First attach the front plate to the base with the 1/4" x 1/2" bolts and 1/4" lock nuts (included in the package). Do not tighten screws.



2

Attach the Angle plates to the base and front plate with the 1/4 x 1/2" bolts and 1/4" lock nuts (included in the package). Do not tighten the screws.



3

Attach the Angle plates to the side plates and to the base with the 1/4" x 1/2" screws and 1/4" lock nuts (included in the package). Do not tighten screws.

