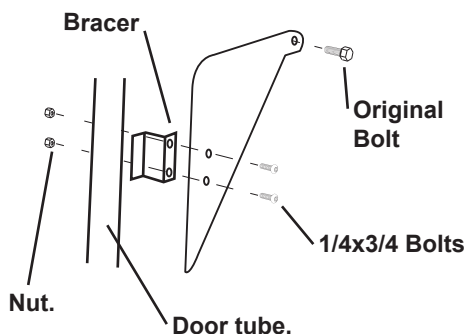


3

Install the Rear Complements using one of original rollcage bolts (the lower one), and two 1/4 x 3/4 bolts with washers and nuts and the bracers provided to secure this parts.



4

To finish, just re-install the vehicle's half door skins.



For technical support , please write us to:
info@afxmotorsports.com or call us at:
Ph. 956-242-6521

HAVE FUN AND A SAFE RIDE!



www.afxmotorsports.com

4610 Modern Lane, Laredo, TX 78041 Ph. 956-242-6521

POLARIS RZR 900/ XP 1000
4 SEATER

SKU ACC028

THANK YOU!

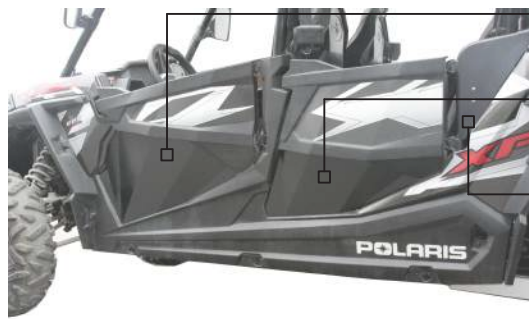
FOR PURCHASING AT AFX MOTORSPORTS



ALUMINUM LOWER DOORS FOR POLARIS RZR

HOW TO MAKE THE INSTALLATION

Pieces included:



- Aluminum Front Lower Doors (2 pcs).
- Aluminum Rear Lower Doors (2 pcs).
- Aluminum Rear Complements (2 pcs).

-  (12x) 1/4" x 3/4" Bolts with washers and nuts.
(2x) Bracer

Tools needed (Not Included):

- 5/32" Allen Key
- 7/16" Combination Wrench.
- Torx Screwdriver.

Liability Statement

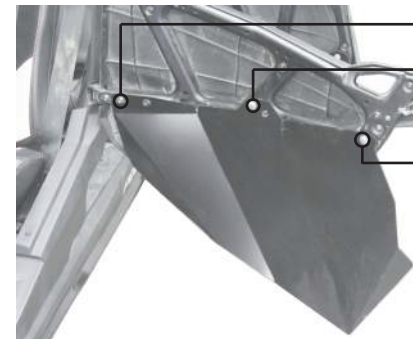
AFX Motorsports products are designed to best fit user's ATV/UTV under stock conditions. Adding, modifying, or fabricating any factory or aftermarket parts will void any warranty provided by AFX Motorsports and is not recommended. AFX Motorsports products could interfere with other aftermarket accessories. If user has aftermarket products on machine, contact AFX Motorsports to verify that they will work together. Although AFX Motorsports has thousands of satisfied customers, user should be aware that installing bumpers, rock sliders, spare tire carriers, etc. will change the ride of machine and may increase maintenance and part wear. Operating any off-road machine while, or after, consuming alcohol and/or drugs increases risk of bodily harm or death. No warranty or representation is made as to this product's ability to protect user from severe injury or death. AFX Motorsports urges operators and occupants to wear a helmet and appropriate riding gear at all times. By purchasing and installing AFX Motorsports products, user agrees that should damages occur, AFX Motorsports will not be held responsible for loss of time, use, labor fees, replacement parts, or freight charges. AFX Motorsports, nor any 3rd party, will not be held responsible for any direct, indirect, incidental, special, or consequential damages that result from any product purchased from AFX Motorsports. The total liability of seller to user for all damages, losses, and causes of action, if any, shall not exceed the total purchase price paid for the product that gave rise to the claim. AFX Motorsports will warranty only parts provided by AFX Motorsports. Any damage or problems with OEM housings, bearings, seals, or other manufacturers' products will not be covered by AFX Motorsports. AFX Motorsports parts and products are not warranted if item was not installed properly, misused, or modified.

1

Uninstall the factory upper half door skins of the vehicle. Use a Torx Screwdriver.

2

Install the Aluminum Lower Doors using the hardware shown on Figure 2.



- Original Torx Bolt.
- 1/4" x 3/4" x Bolt. with washer and nut.
- 1/4" x 3/4" x Bolt. with washer and nut.

Front Door.



- Original Torx Bolt.
- 1/4" x 3/4" x Bolt. with washer and nut.
- 1/4" x 3/4" x Bolt. with washer and nut.

Rear Door.