



CONCRETE CREATIONS
TOLL FREE: 1-888-299-8273

FAX: (818) 727-7676

EMAIL: NAVA@CONCRETECREATIONSLA.COM

SELECT DESIRED COLOR:

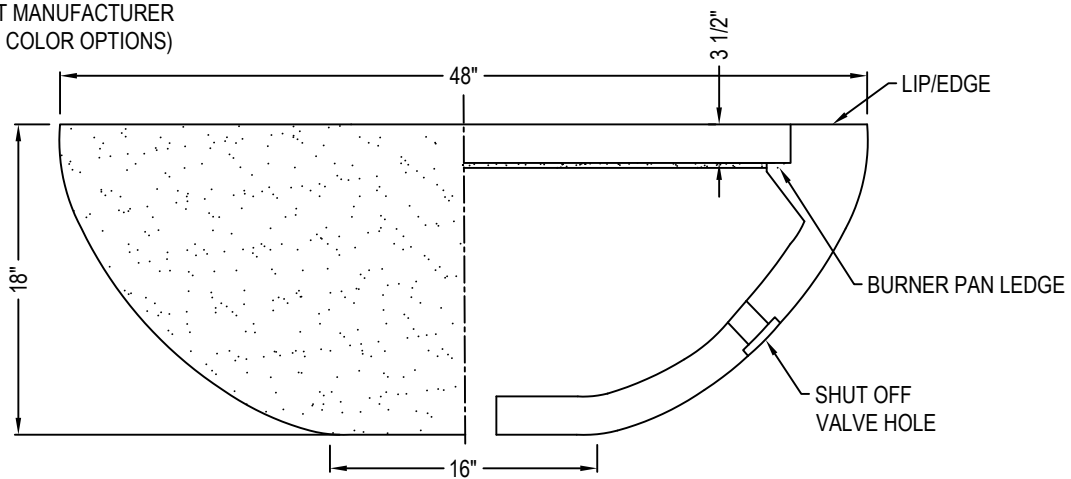
- SLATE
- SMOKE GRAY
- JAVA
- COFFEE
- GRAYSTONE
- DOVE GRAY
- CUSTOM: _____
(CONTACT MANUFACTURER FOR FULL COLOR OPTIONS)

SELECT DESIRED SIZE:

- 72" W X 18" H
- 60" W X 18" H
- 54" W X 18" H
- 48" W X 18" H (SHOWN)

SELECT DESIRED FINISH:

- 44" W X 17" H
- 40" W X 18" H
- 40" W X 15" H
- 37.5" W X 13.5" H
- ANTIQUE STONE FINISH
- NATURAL ORGANIC FINISH
- SEMI-SMOOTH #90 FINISH
- SMOOTH #90 FINISH



SECTION VIEW

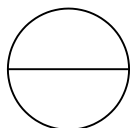
LEGEND	
BOWL SIZE	LIP/EDGE SIZE
72" W X 18" H (29" BASE)	8" - 12" OVER SIZE LIP
60" W X 18" H (18" BASE)	6" - 12" OVER SIZE LIP
54" W X 18" H (17" BASE)	8" OR 10" OVER SIZE LIP
48" W X 18" H (16" BASE)	6" OR 8" OVER SIZE LIP
48" W X 15" H (15" BASE)	6" - 8" OVER SIZE LIP
44" W X 17" H (16" BASE)	5" OR 8" OVER SIZE LIP
40" W X 18" H (20" BASE)	5" OVER SIZE LIP
40" W X 15" H (15" BASE)	5" OVER SIZE LIP
37.5" W X 13.5" H (13" BASE)	4-5" OVER SIZE LIP

SPECIFICATIONS:

- 6" WIDE LIP
- 6" SIZE HOLE - CENTERED
- TWO 3/4" HOLES FOR ANCHORING AT BOTTOM
- MODIFICATION TO HOLD CUT TO SIZE ALUMINUM PLATE
- HOLE ON SIDE TO ACCOMMODATE VALVE
- IN THE CASE OF LP BURNER 4-6 MORE HOLES WILL BE DRILLED NEAR THE BOTTOM
- HAND MADE, DIMENSIONS MAY VARY SLIGHTLY

NOTES:

1. INSTALLATION TO BE COMPLETED IN ACCORDANCE WITH MANUFACTURER'S SPECIFICATIONS.
2. DO NOT SCALE DRAWING.
3. THIS DRAWING IS INTENDED FOR USE BY ARCHITECTS, ENGINEERS, CONTRACTORS, CONSULTANTS AND DESIGN PROFESSIONALS FOR PLANNING PURPOSES ONLY. THIS DRAWING MAY NOT BE USED FOR CONSTRUCTION.
4. ALL INFORMATION CONTAINED HEREIN WAS CURRENT AT THE TIME OF DEVELOPMENT BUT MUST BE REVIEWED AND APPROVED BY THE PRODUCT MANUFACTURER TO BE CONSIDERED ACCURATE.
5. CONTRACTOR'S NOTE: FOR PRODUCT AND COMPANY INFORMATION VISIT www.CADdetails.com/info AND ENTER REFERENCE NUMBER 2626-001.



CONCRETE CREATIONS

SIMPLICITY EDGE FIRE BOWL