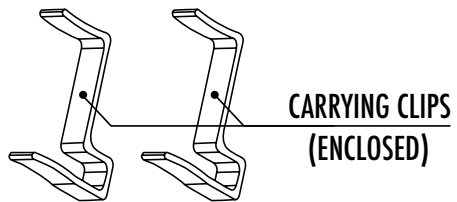
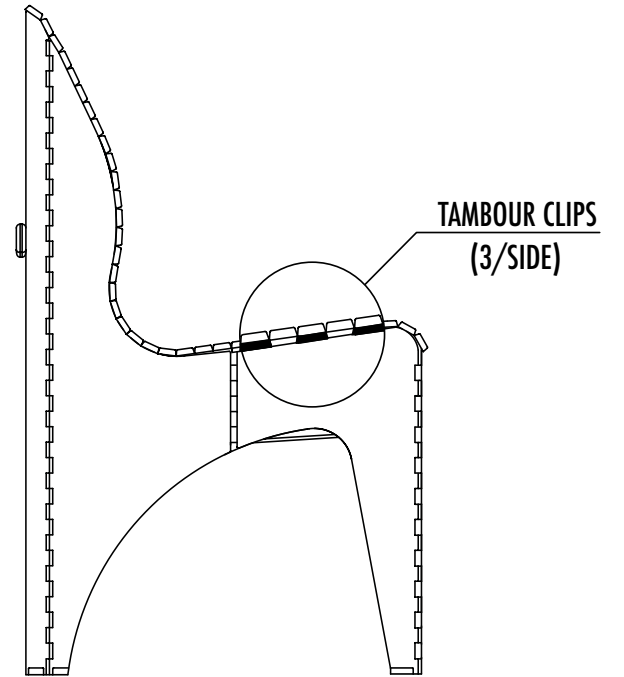


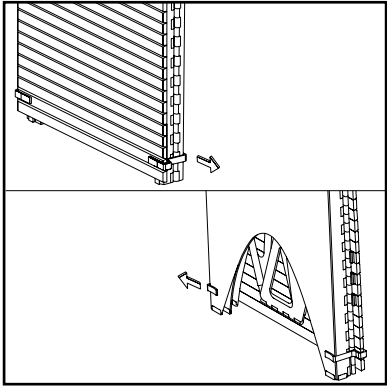
O L L I E C H A I R M A N U A L



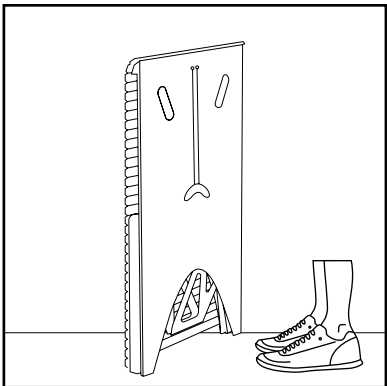
RPR

To contact RPR Customer Support email us at wtf@rockpaperrobot.com
or call (347) ROBOT4U / (347) 762-6848

OPENING THE CHAIR

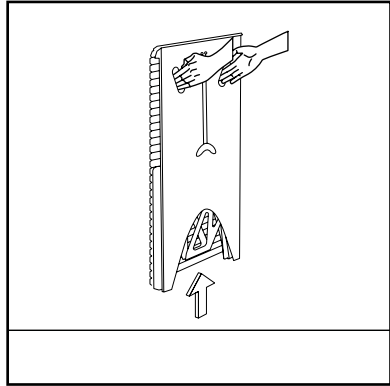


1. The chair ships with Carrying Clips installed. Remove them from the bottom of your Ollie Chair. **Keep these clips** for transporting your chair longer distances.



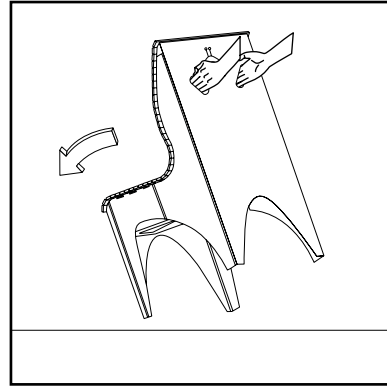
Stand behind the closed chair with the wooden slat surface facing away from you.

Make sure that the wooden handle on the pull cord is free and untangled from any other part of the chair. Note: The chair ships with the handle inserted into one of the handholds, so you may need to pull the handle out.

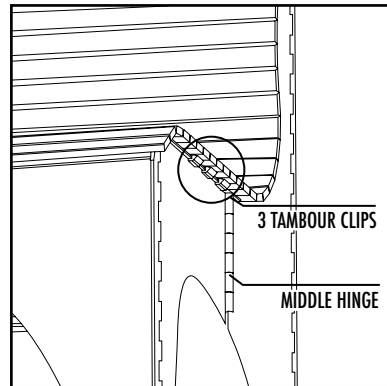


2. Insert your hands into each of the two handhold cutouts on the back of the chair. Your fingers should be grasping the metal inside the chair, with your thumbs on the outside of the chair.

Pick the chair up about 12 inches (30 cm) so that the front of the chair will not hit the ground when it opens. Pro tip: Basically lift it so the back legs align with your knees, unless you're really short. (You'll get the hang of this by your second try.)



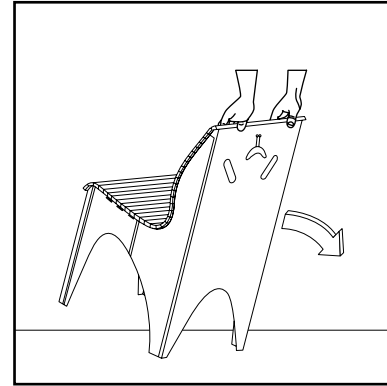
3. Holding onto the chair (hands in the handholds, thumbs out) rotate your wrists downward so that the chair tilts forward and downward. The chair will automatically spring open. **You should not need to "shake" it open.** Place the four legs of the chair down firmly on the ground.



DON'T SIT YET!

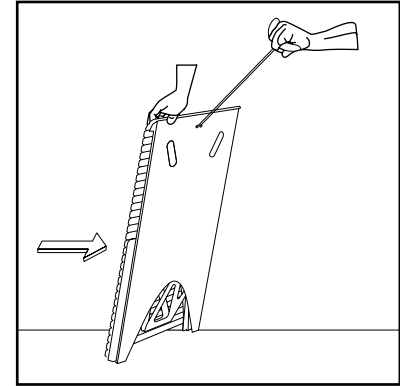
Make sure that the sides of the chair are straight so that the middle hinge is not bent in or out. The 3 Tambour clips on each side of the tambour should be hooked onto the metal flanges on both sides of the chair. You should be able to pull gently upward on the seat where the clips are to see that the tambour is attached to the metal body.

CLOSING THE CHAIR



4. Stand behind the open chair with the metal back facing towards you.

Grasp the top of the chair with both hands and tilt it back towards you about 30 degrees.

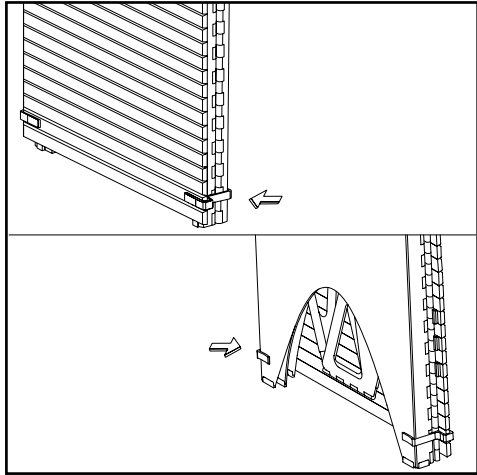


5. Still holding the top of the chair with one hand, grasp the handle that is attached to the pull cord with the other hand.

Pull upwards on the pull cord handle while using the other hand on top of the chair to counter the force. Pull continually with a positive motion until the chair is fully closed. Lean the chair back more if the tambour does not fall fluidly.

CARRYING THE CHAIR

For long distances, attach the enclosed Carrying Clips to the bottom of the chair to secure the tambour to the metal chair body as indicated in the picture below.



The Carrying Clips are not needed for moving your chair over short distances, but definitely come in handy when schlepping it to the beach.

INSTRUCTIONAL VIDEOS

Please visit www.rockpaperrobot.com for instructions and video on how to hang your chair on your wall and swap out your tambour.

This manual is also available for download on rockpaperrobot.com.

WARRANTY

Your Ollie Chair has a one year warranty from the shipping date. For details on our warranty policy please visit our website: www.rockpaperrobot.com.

PRECAUTIONS

- Do not stand on your Ollie Chair.
- When moving the closed chair to different locations, lift up the chair by grabbing both the metal chair and the tambour together, from the top of the chair. Use the provided Carrying Clips for transporting the chair longer distances.
- Avoid placing your fingers between the tambour and the metal body of the chair when sitting down.
- Make sure the tambour clips are engaged when the chair is in use.
- Do not lean or rock back on the chair when sitting: keep four feet on the floor!
- While the chair is water resistant, it is not waterproof. We do not suggest leaving it outdoors for prolonged periods.
- Weight limits have been tested. We do not recommend exceeding 250 lbs (113 kgs).
- As with all strings, the cord on the back of the chair presents a potential strangulation hazard. Please use caution around small children.

MAINTENANCE

- To clean the chair, use a mild citrus cleaner applied with a soft cloth. Do not use abrasive cleaners on the wood or the metal.
- The finish on the wood tambours can be rejuvenated with a light coat of teak oil wiped on with a soft cloth.
- Saltwater is detrimental to wood and metal no matter how protected the material may be. Make sure to clean saltwater off to avoid discoloration and corrosion.