

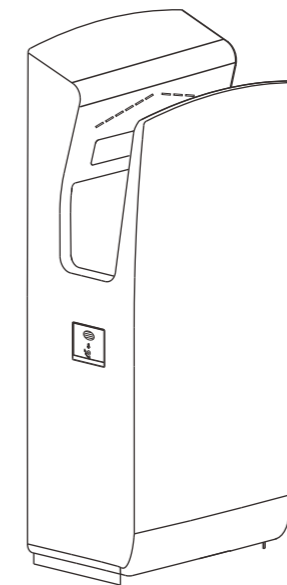


Dolphy Australia
The sign of quality

JET HAND DRYER

Operation Instruction

DAHD0043



Dear customer:
Thanks for your purchase of my company's products. Please read this instruction before installation and keep it for installation and usage or any other further reference.



WARNING personal injury accidents will happen if use improperly



Prohibited

- Do not open the front panel . otherwise, This may get an electric shock
- Children forbidden hanging on the machine, there are risk of falling.



Do not use in the bathtub or shower room

- Do not use this appliance near water. Do not use this appliance near bathtubs, showers, basins or other vessels containing water



Prohibit disassembling

- Do not modify and disassemble the unit unnecessarily. Otherwise, this may cause a fire, electric shock, or personal injury.



Please do complying with instruction

- This appliance is not intended for use by persons (including children) with reduced physical, sensory or mental capabilities, or lack of experience and knowledge, unless they have been given supervision or instruction concerning use of the appliance by a person responsible for their safety.
- Children should be supervised to ensure that they do not play with the appliance. This appliance is intended to be used in household only.
- If the supply cord is damaged, it must be replaced by the manufacturer, its service agent or similarly qualified persons in order to avoid a hazard.
- Do not fix it in the place with water or water vapor in surface, do not install in the bathroom which with heavy moisture, in order to avoid electric shock.
- You must commission professional electrician to install power lines, or else it has electric shock hazard.
- You must cut off power before operation and ensure the protection no power.
- Requests to install leakage circuit breakers or protection against fire hazards,

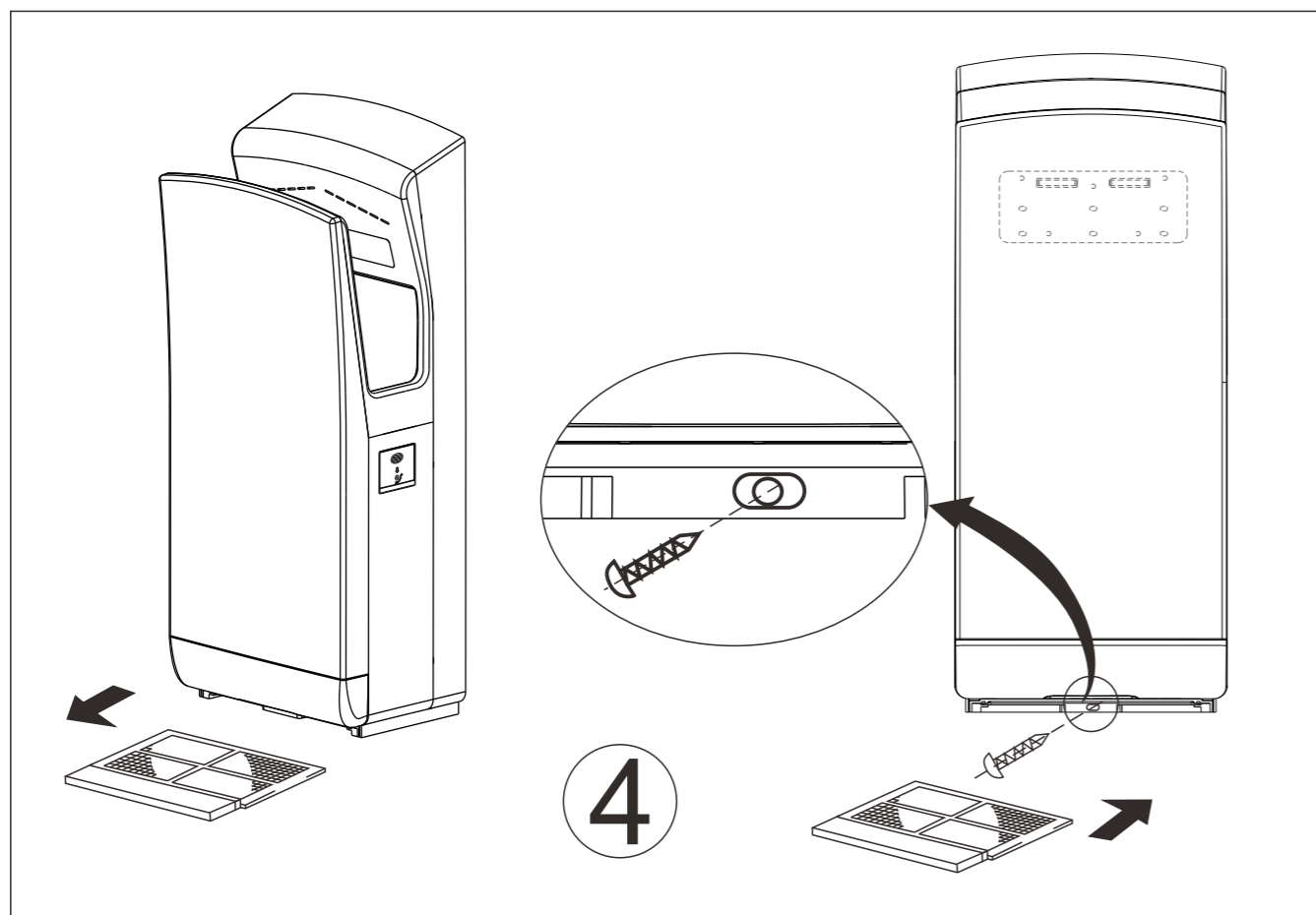
Maintenance:

1. For shell marks, please cut off power first and use soft cloth dipped neutral detergent to smear and the smear clean. The acid or alkaline detergent in bathroom like benzene, lacquer thinner and abrasives, are absolutely not applied. Moreover, you must not use nylon brush or brush broom to smear the apparatus, in order to avoid scratches and lacerations.
2. During the cleaning, you should prevent the water drop into the machines, in order to avoid electric shock or short circuit.
3. The machine should pull out or shut down power at off duty time, which can prolong the service life for the machine.
4. It is forbidden to decompose, repair and transform the machine without professional persons, or else it might cause electric shock, fire and other accidents.
5. If the machine breaks down, please switch off power supply quickly, stop using and please commission the professional to repair it.

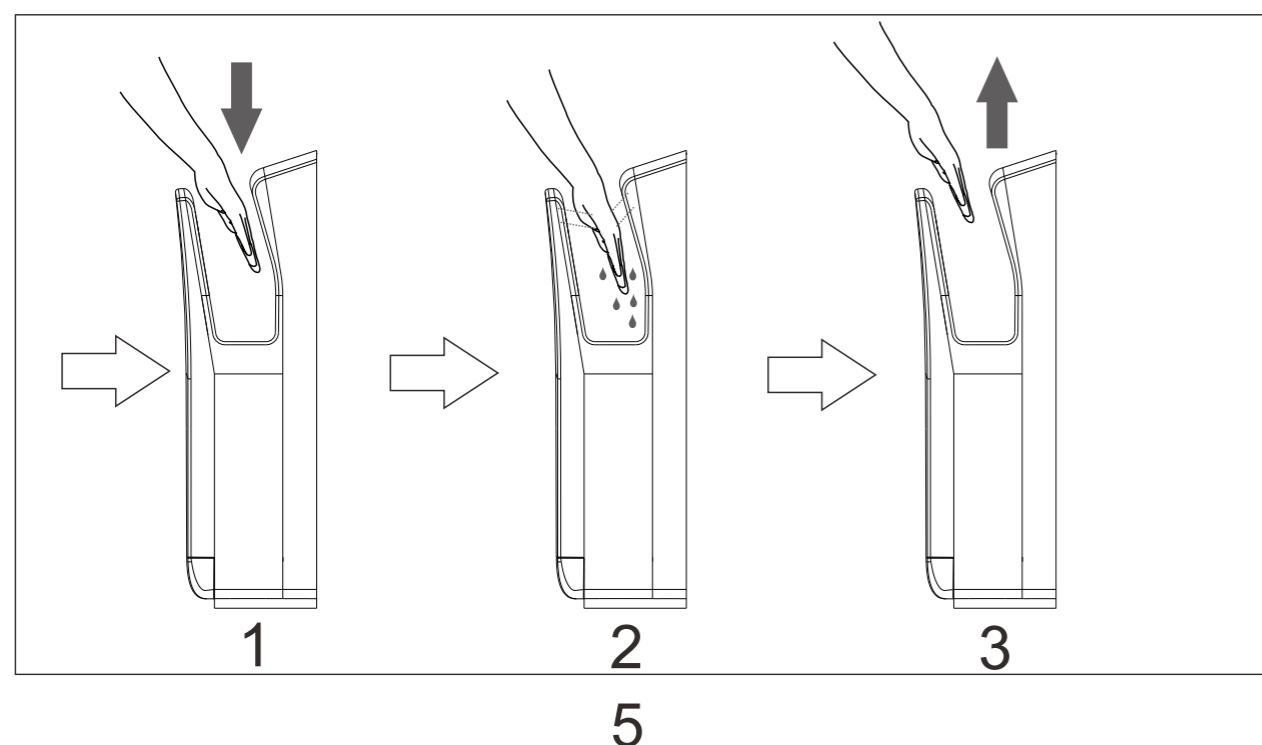
Terms of guarantee:

1. The product warranty period is one year.
2. The service within warranty period for products, which came into effect from the date of buying the machine.
3. Within one year after purchasing, consumers find the machine failure caused by the product itself reason, then they can go to the purchasing place to maintenance and replace the machine for free with original invoices and completed and the quality assurance card stamped by de alers.
4. The following are not inthe scope of free maintenance:
 - Improper use and the fault caused by demolition, alteration and repair by technical persons without our company authorization.
 - Fires, earthquakes, thunder and other natural disasters cause faults, and abnormal voltage causes the faults.
 - The faults caused by non matching power.
 - The faults caused by long time operation in bad working condition.
 - Not quality assurance card or the card is flit not explicitly or correctly.
5. Over warranty period or it is not free maintained product, while our company remains committed to serving you.

Installation methods:



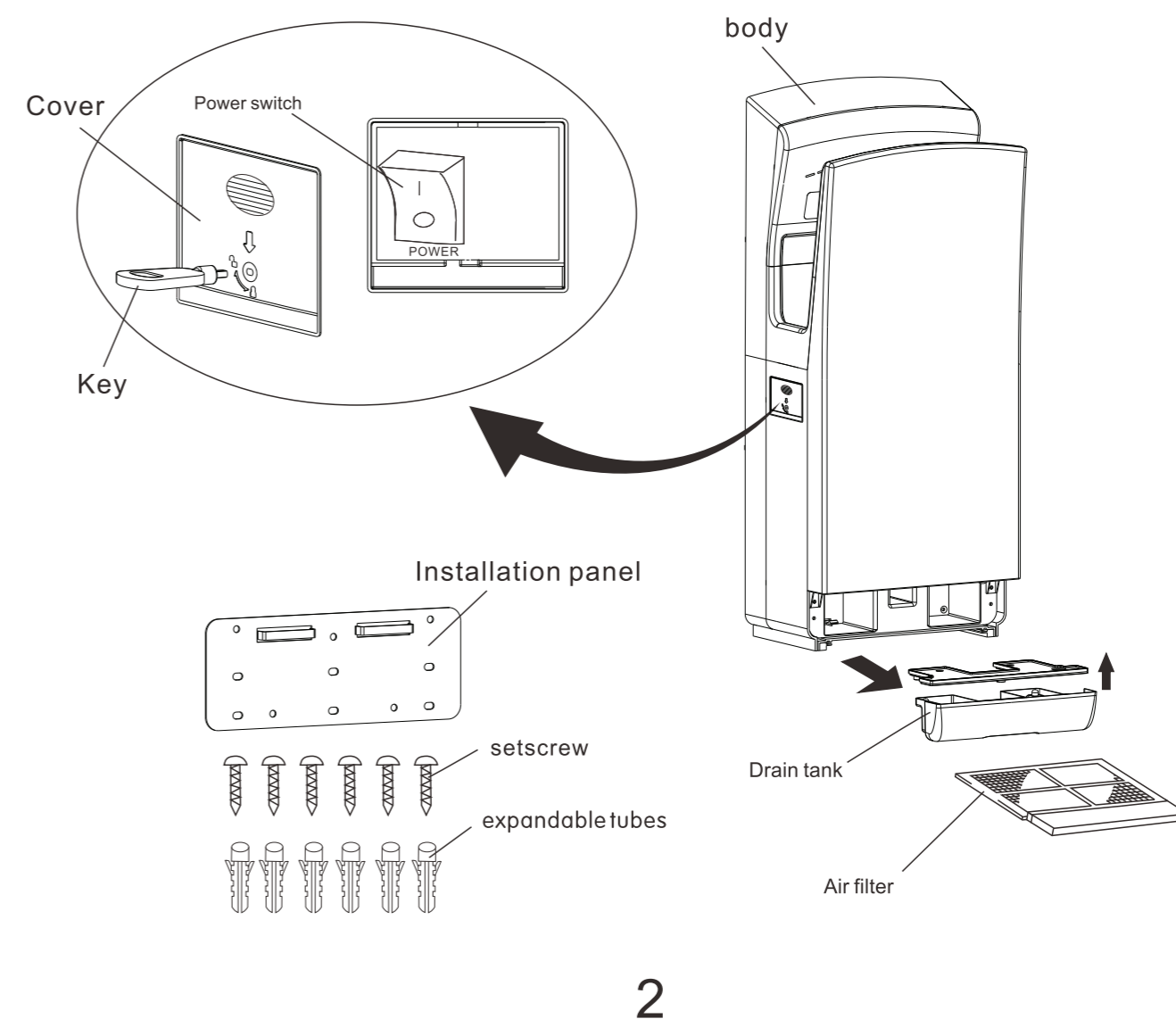
Usage



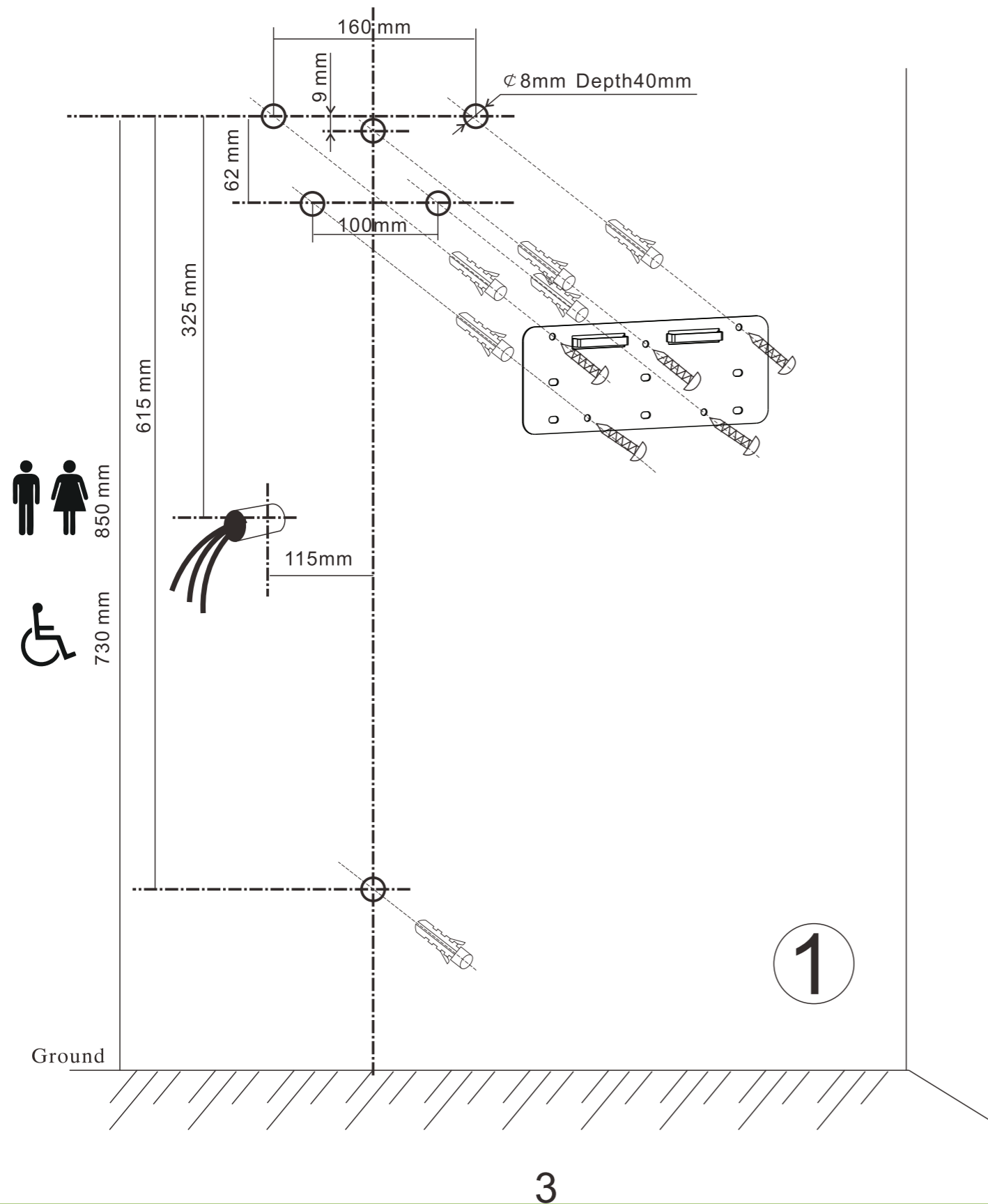
Technical Parameters:

Rated Voltage	<input type="checkbox"/> AC220-240V <input type="checkbox"/> AC110/127V	Waterproof Grade	IPX4
Rated Frequency	50/60HZ	Heating conditions	Ambient temperature < 25°C
Rated Power	1650W	Air speed	95m/s
Motor Power	800W	Drying Time	6-9S
weight	12KG	Overall size(mm)	300 × 222 × 730

Name of the various components



Installation methods:



Installation methods:

