

Pullman CB-15

Part Number : 11500015



**- CB 15 SS -**

| Product Numer | Supplier Reference | Diagram Number | Description  | Reference   | Order Type |
|---------------|--------------------|----------------|--|---|------------|
| 11500015      | CB15-SS            |                | Pullman,cb15-ss janitor canister (stainless steel)           |    | W/O        |
| 31110127      | A-056A4            |                | Tool,wet floor 36mm pullman cb15-p cb15-ss                   |    | W/O        |
| 31120071      | A-056A6            |                | Tool,crevice 36mm pullman cb15-p cb15-ss                     |    | W/O        |
| 31130062      | A-056A2            |                | Tool,dusting brush 36mm pullm cb15-p cb15-ss                 |    | W/O        |
| 31140059      | A-056A5            |                | Tool,uphol 36mm pullman cb15-p cb15-ss                       |    | W/O        |
| 31150258      | A-056A-5           |                | Tool,floor complete pullm cb15 p & s/s ss by 31150246 (disc) |   | W/O        |
| 31220268      | A-056A-1+2+3       |                | Hose,36mm pullman cb15-p cb15-ss                             |  | W/O        |
| 31300393      | A-056A-1           |                | Rod,extn 36mm pullman cb15-p cb15-ss                         |  | W/O        |
| 31300428      | A-056A-9           |                | Bep,36mm pullm janitor cb15                                  |  | W/O        |
| 31300431      | A-056A-8           |                | End,hose & machines pullm janitor cb15p cb15ss               |  | W/O        |
| 33100364      | DIAG #17           | 17             | Lid,gasket pullm pv100 pvw100 janitor cb15 cb30 (disc)       |  | W/O        |
| 33400148      | 42715              | 21             | Bag,cloth pullm cb15, a-031b                                 |  | W/O        |
| 33701473      | 19                 | 19             | Float,cage pullman cb15 cb30 cb60 cb80                       |  | W/O        |
| 31300443      | DIAG # 25 CB15-P   | 25             | End,tank pullman cb15-9 cb15-ss                              |  | W/O        |

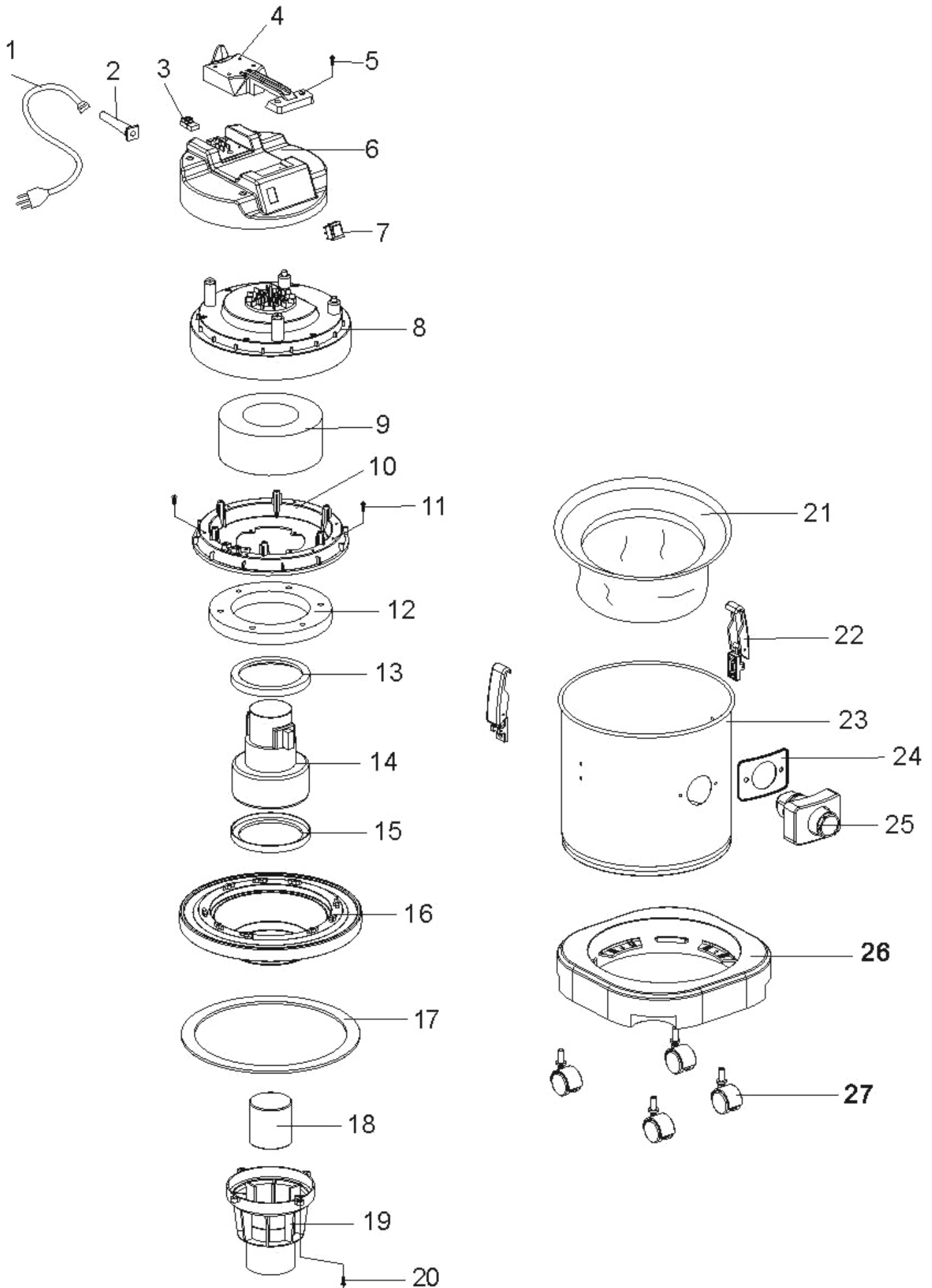
**- CB 15 SS-**

\*W/O : Warehouse order  
 \*S/O : Special order  
 \*REP : Repair centre order

**- CB 15 SS -**

| Product Numer | Supplier Reference | Diagram Number | Description                              | Reference   | Order Type |
|---------------|--------------------|----------------|--|---|------------|
| 33101020      | 23                 | 23             | Tank,15l stainless steel pullman cb15-ss |    | W/O        |
| 33701474      | 22                 | 22             | Latch,tank pullman cb15 cb30 cb60 cb80   |    | W/O        |
| 33101120      | DIAG 26            | 26             | Base,tank pullman cb15-9 cb15-ss         |    | W/O        |
| 33500314      | DIAG # 27 CB15-P   | 27             | Wheel,castor pullman cb15-p cb15-ss      |    | W/O        |
| 33200523      | 7                  | 7              | Switch,on&off pullman cb15 cb30 cb60 cb8 |    | W/O        |
| 34400162      | 14                 | 14             | Motor,suction pullman cb15 cb30 cb60 cb8 |   | W/O        |
| 33200374      |                    |                | Cord, pullman cb15 cb30 cb60 cb80        |  | W/O        |

# CB15L/30L Breakdown Figure

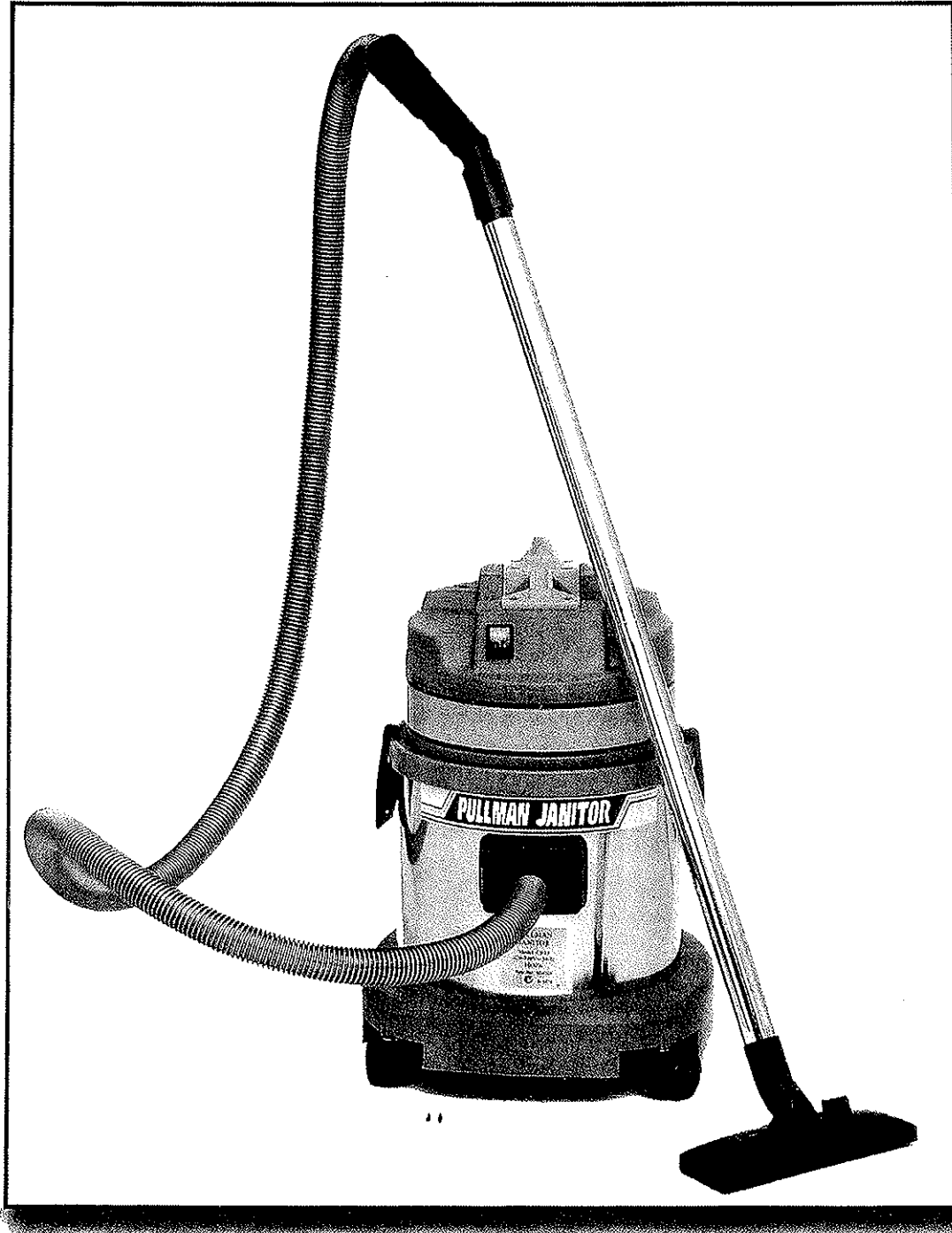


## CB15-P / CB15-SS / CB30 Accessory list

| No. from the drawing | Description                  | Part # |       |
|----------------------|------------------------------|--------|-------|
|                      |                              | CB15   | CB30  |
| 1                    |                              | CB15   | CB30  |
| 2                    | Cover                        |        |       |
| 3                    | Binder                       |        |       |
| 4                    | Handle                       |        |       |
| 5                    | Screw                        |        |       |
| 6                    | Coping                       |        |       |
| 7                    | Switch                       | 62009  | 62009 |
| 8                    | Middle cover                 |        |       |
| 9                    | Dustpreef cottom             |        |       |
| 10                   | Fixd cover of motor          |        |       |
| 11                   | Screw                        |        |       |
| 12                   | Insulative cotton            |        |       |
| 13                   | Top Gasket for motor         |        |       |
| 14                   | motor                        | 74006  | 74006 |
| 15                   | Base Gasket for motor        | 66801  | 66801 |
| 16                   | Base of motor                | 74015  | 74015 |
| 17                   | Airproof loop                |        |       |
| 18                   | Float                        |        | 66106 |
| 19                   | Float cage                   | 66091  | 66107 |
| 20                   | Screw                        |        |       |
| 21                   | Dust bag                     | +++++  | +++++ |
| 22                   | Canister lid attachment clip | 52009  | 52009 |
| 23                   | 15L Tank                     | 55438  | 55438 |
|                      | 15L Plastic tank             | 55439  | 55439 |
|                      | 30L Tank CB 30               |        |       |
| 24                   | Airproof loop mat            |        |       |
| 25                   | Hose attachment port         | 47038  | 47038 |
| 26                   | Base for the machine         | 72002  | 72002 |
| 27                   | Wheels                       | 54667  | 54667 |



## Instruction Manual for models CB15-CB80



**Please read this manual before operating**

Congratulations on your purchase of your new Pullman Janitor vacuum cleaner. There are many useful features built into your cleaner and we recommend that you carefully read this instruction manual

### **BEFORE YOU BEGIN**

This product must be operated in accordance with these instructions and safety reminders.

### **PLEASE READ THESE INSTRUCTIONS THOROUGHLY.**

This will ensure you obtain full benefit from your new cleaner. Keep this Instruction Manual in a handy place for future reference.

### **IMPORTANT**

Always switch the cleaner off and remove the plug from the electricity supply before cleaning your appliance, when not in use, or attempting any maintenance task. The cleaner must only be connected to an AC supply at the voltage shown on the rating plate. This cleaner should only be used for its intended purpose as described in these instructions.

**Make certain the cloth filter bag is always fitted when dry vacuuming whether a paper filter bag is used or not.**

**DO NOT** pick up hard or sharp objects, matches, hot ashes, cigarette ends or similar items.

**DO NOT** pick up flammable liquids such as cleaning fluids, petrol etc., or use in the presence of such vapors.

**DO NOT** allow children or the infirm to operate this appliance without supervision. It must not be used on people or animals.

Always disconnect the cleaner from the power outlet by pulling out the plug directly, NEVER by pulling on the supply cord.

If using an extension cord please make sure that it is of an approved type and that it is fully extended. Failure to do so could cause your cleaner to overheat and damage it.

**DO NOT** continue to use this appliance if it appears to be faulty or the supply cord is damaged. If the supply cord is damaged, it must be replaced by the manufacturer or its service agent or a similarly qualified person in order to avoid a hazard. If a fault cannot be rectified, please return to the point of purchase.

If damaged, return the cleaner for repair by an authorised Pullman Service Centre in order to avoid a safety hazard.

Consult the trouble shooting guide in this manual if your vacuum cleaner fails to operate properly. Contact an authorised service agent if the problem persists.

### AFTER USE

Switch the system off and remove the plug from the electricity supply. Always switch off and remove the plug before attaching any accessories or cleaning the vacuum cleaner.

### PROTECTING THE ENVIRONMENT

When you have unpacked the unit, do not simply throw the packing into the household waste. Take them to an appropriate collecting point for the recycling.

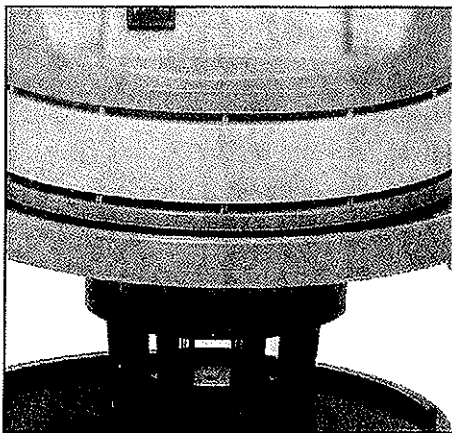
### Pullman Janitor

Models CB15-CB80

220-240v AC 50 Hz

### TROUBLE SHOOTING

| PROBLEM                            | CAUSE   | REMEDY   |
|------------------------------------|---|--|
| Motor does not start or stops.     | No power supply.  | Check cable, plug and socket. If still inoperative, contact service agent. |
| Suction force gradually decreases. | Tank is full, suction hose or wand is blocked, or dirty cloth filter bag. | Empty tank, remove objects from hose or wand, clean or replace filter bag. |



The Pullman Janitor is fitted with a special float device, that when the liquid rises to a predetermined level, the cleaner will not suck up any more of the liquid. The tank should be emptied after disconnecting from mains supply.

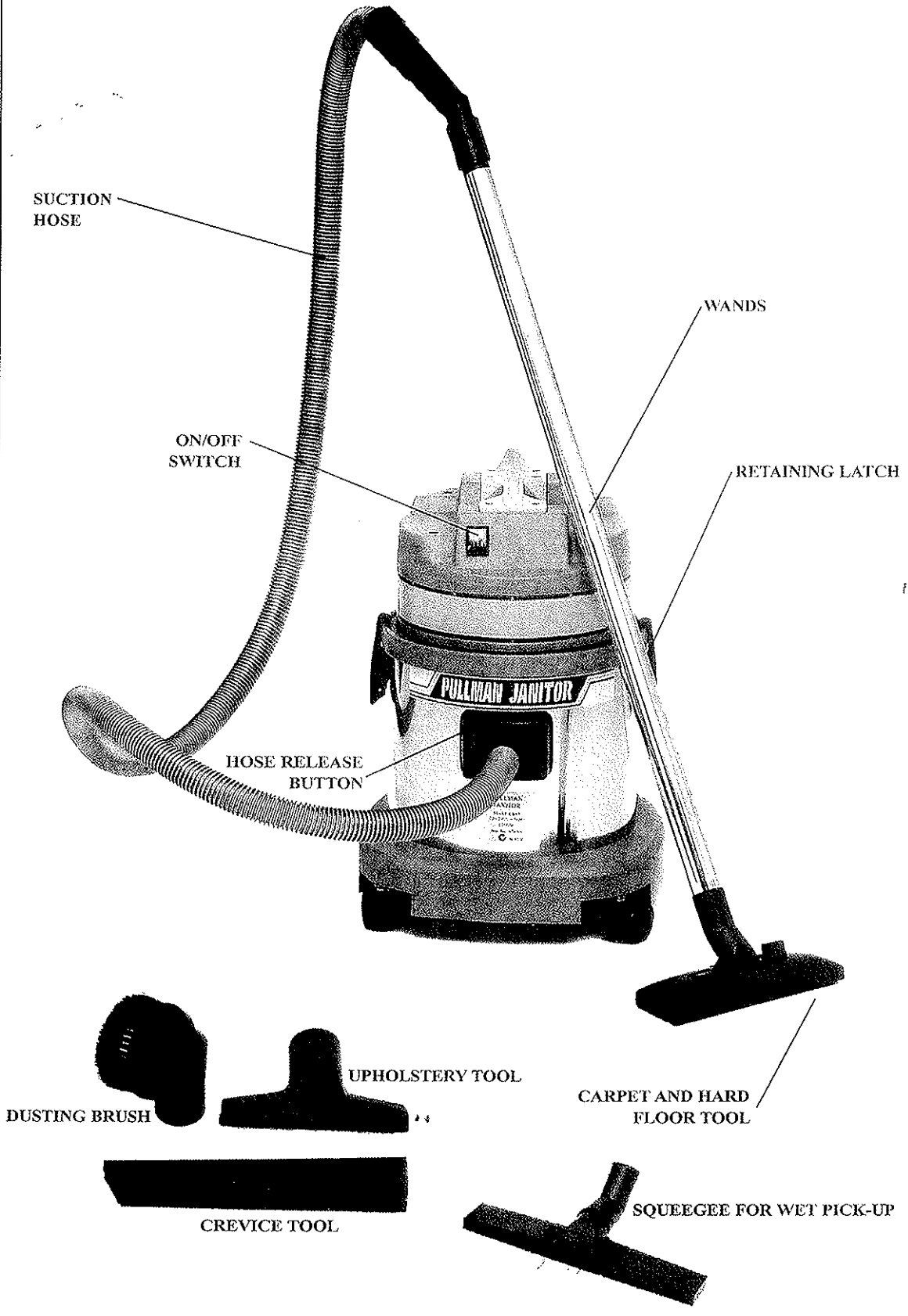
**IMPORTANT: Do not have the cloth filter bag fitted when using for wet pick-up.**

..

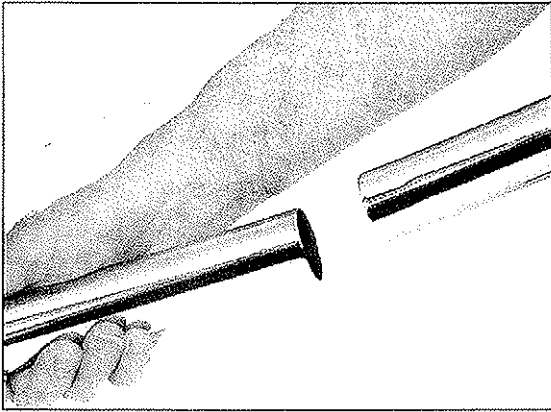
Due to our program of continuous product improvement and innovation, sometimes the product you buy may differ slightly from the one shown on the product carton



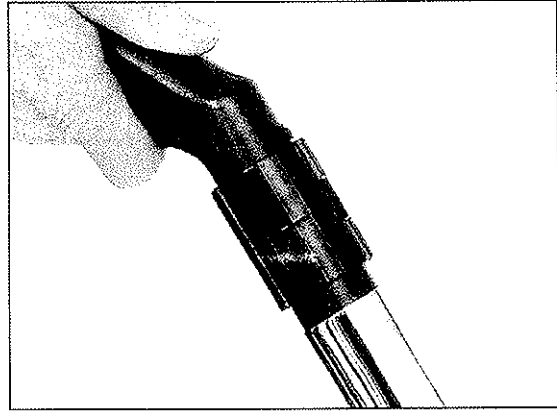
# IDENTIFICATION OF PARTS



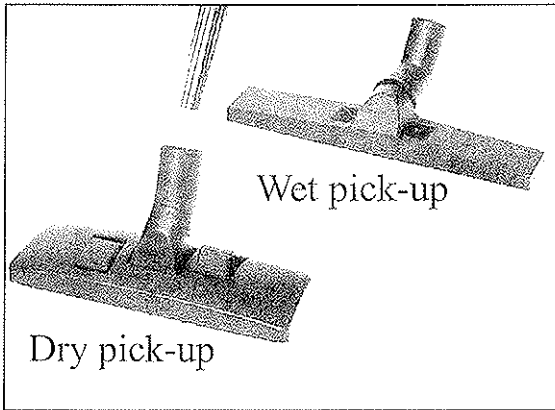
## ASSEMBLY AND FILTER REMOVAL/REPLACEMENT



1. Assembly is easy and straight forward. Start by fitting together the two steel rods.



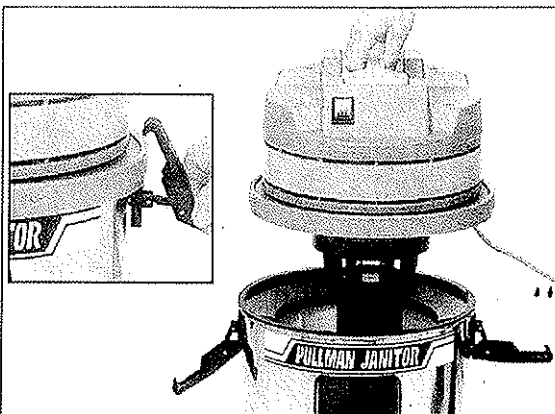
2. Take the handle assembly which incorporates the flexible hose and fit to one end of the steel rods.



3. Depending on if you are going to use for dry or wet pick-up, fit the correct head to the end of the wand.



4. Fit the end of the hose into the input of the cleaner. Remove by pressing button as shown and pull hose out.



5. To empty tank or remove cloth filter undo the two side latches and lift head off.



6. The filter can be taken out and cleaned, **Do not replace if using for wet pick-up**, only replace for dry use.

# CLEANING AND MAINTENANCE

## BEFORE YOU BEGIN

**Disconnect from mains power supply before removing or fitting any accessory or carrying out any maintenance work.**

1. Clean or empty tank regularly. Do not allow dust or dirty water to stand for a long time.
2. It is advisable to clean the cloth dust filter thoroughly by brushing or beating it. You can wash it in luke warm water with a little detergent added. Rinse and dry. Do not replace unless it's fully dried.
3. The cloth filter bag should be replaced every two to three years or when necessary.
4. Wipe the machine inside and outside and the mains cable with a damp cloth from time to time.
5. Examine the mains cable for cuts and/or other damage. If damaged refer to instructions on page 2.
6. The high efficiency motor is built for maintenance-free running and need not be serviced. However, the carbon motor brushes and connectors should be checked once a year by a service engineer to ensure optimum performance.



This guarantee applies in Australia and New Zealand only.  
For the guarantee in other countries contact  
your local retailer/distributor.

Your new Pullman Janitor vacuum cleaner, which has been fully tested and adjusted, carries a one year guarantee against manufacturing defects. Brushes, accessories and filters, unless actually defective in manufacture are not subject to this guarantee since their length of life depends upon usage and care given. Any transportation costs involved in the repair of the appliance shall be borne by the claimant.

This guarantee commences from the purchase of the product. When properly used and cared for, your Pullman Janitor vacuum cleaner will render excellent service, and therefore, the purchaser should carefully read this instruction manual, as misuse or failure to follow the instructions makes this guarantee void. It also becomes void if the product is used on an electric voltage other than that shown on the rating plate. EHA is unable to accept responsibility for damage carried out by other than authorised service retailers or centres, or from the use of other than genuine parts.

This guarantee does not apply to the cost of replacing any part of the product due to normal wear and tear, alteration, improper installation, physical abuse, misuse or accident. In the event of service or advice been needed, please contact your retailer for your nearest authorised service agent. Alternatively, please check your local Yellow Pages directory under vacuum cleaners.

The benefits conferred by this guarantee are in addition to all other rights and remedies in respect of the product which the consumer has under the Trade Practices Act and other State and Territory laws.

Keep this guarantee and your receipt as proof of purchase

AVCC policy is one of continuous development and accordingly we reserve the right to change specifications without prior knowledge.

Electrical Home-Aids Pty Ltd  
169-175 Parramatta Road, Auburn, NSW 2144 Australia  
Private Bag 120 Silverwater D.C. 1811 NSW