

IN LINE SKATES W2 USER MANUAL



Learn more News about the Gyroor inline skate?
Scan on "Gyrorboard" Messenger QR code to get it soon.



Learn more News about the Gyroor inline skate?
Scan "Gyroorboard" Messenger QR code to get it soon.

The manufacturer reserves the right to make changes to the product,
and updates this manual at any time.

Visit www.gyroorboard.com to download the latest user manual.

www.gyroorboard.com

Contents

Package contents/parts list	3
Technical data	3
Size Chart	3
Intended use	3
Safety information	3
Tips for skating	4
Setting the size	5
Setting the width	5
Putting skates on	5
Taking skates off	6
Maintenance	6
Storage, cleaning	7
Error management	7
Disposal	8
Notes on the guarantee and service handling	8
Contact	8

Congratulations!

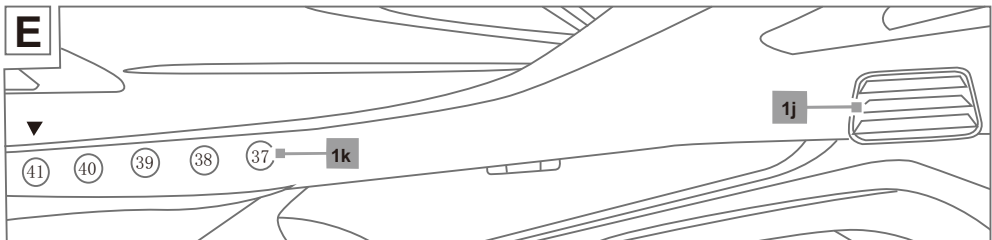
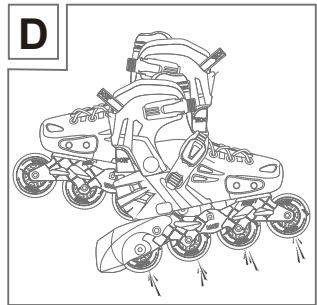
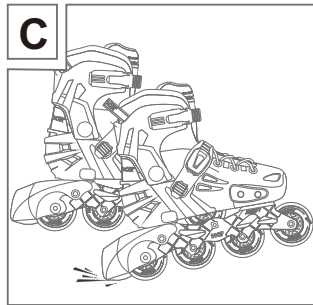
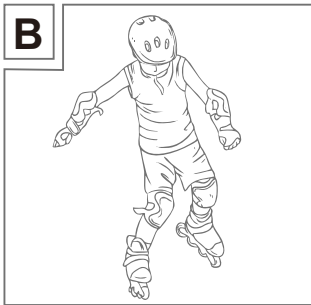
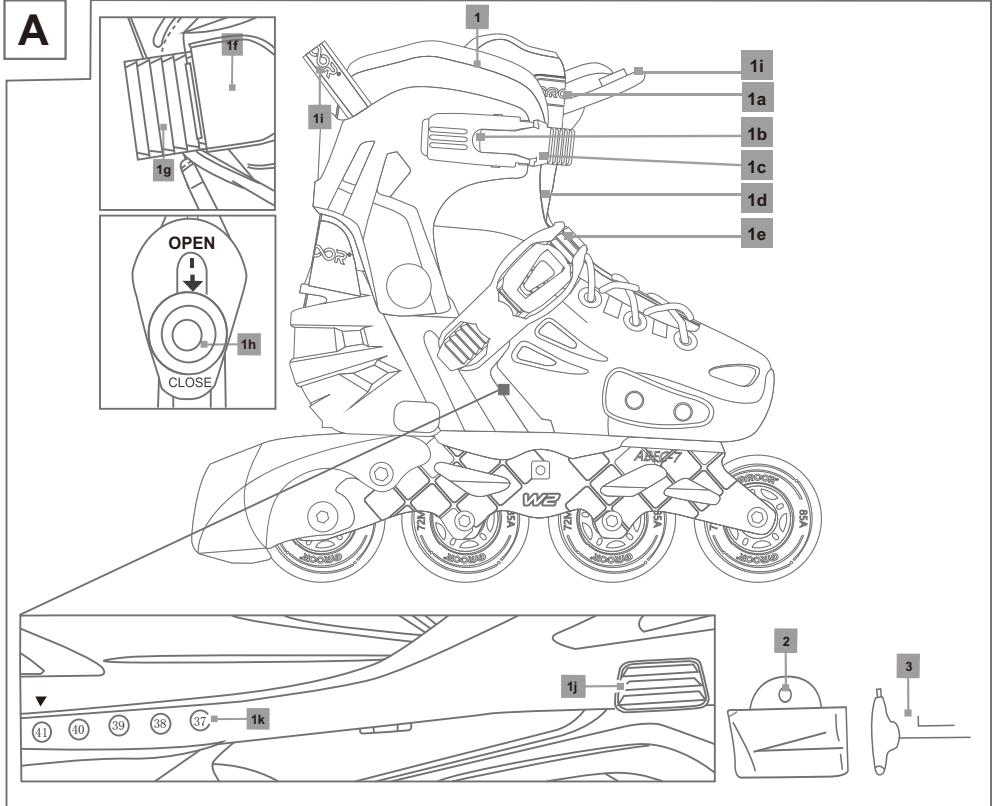
You have chosen to purchase a high quality product.

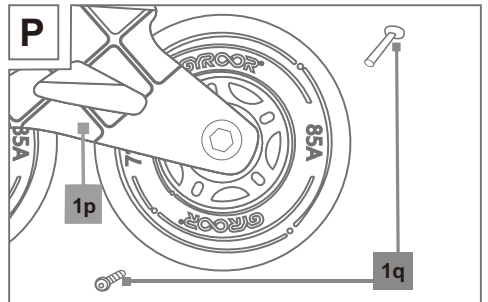
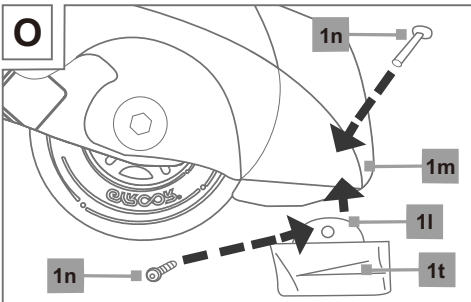
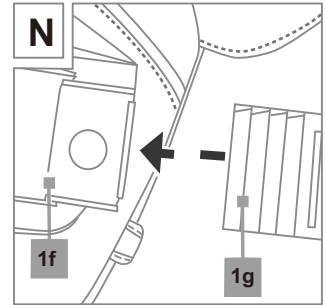
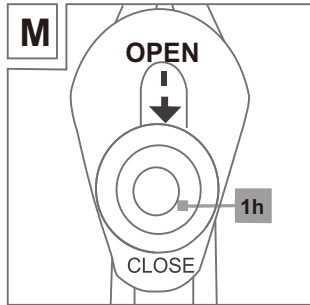
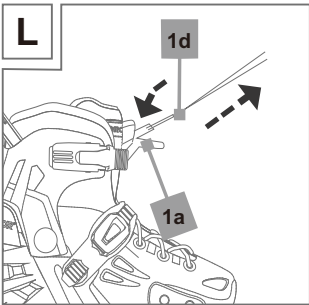
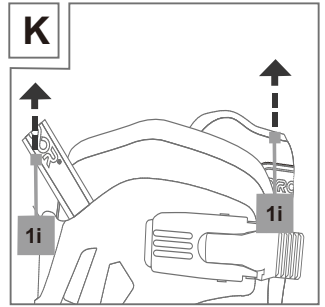
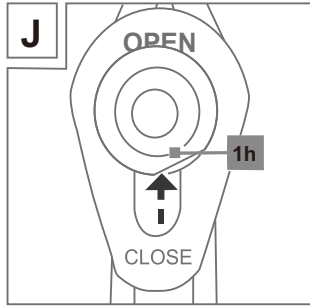
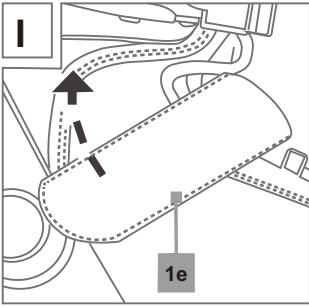
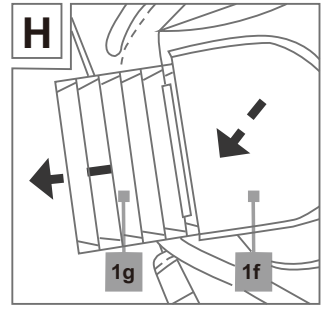
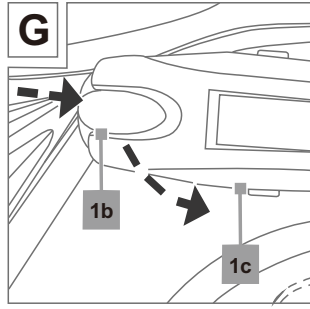
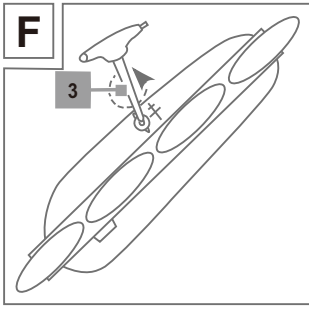
Familiarise yourself with the product before using it for the first time.

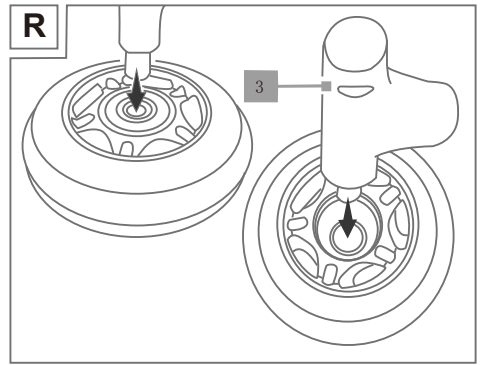
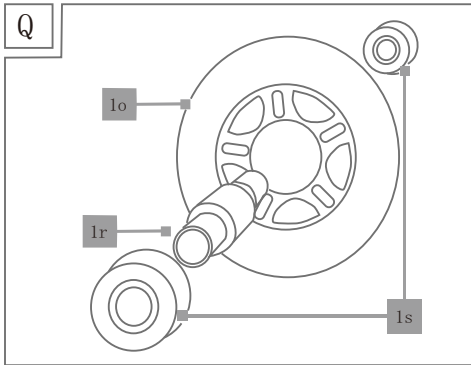


**Read the following instructions
for use carefully.**

Use the product only as described and only for the given areas of application. Store these instructions for use carefully. When passing the product on to third parties, please also hand over all accompanying documents.








Package contents/ parts list (Fig. A)

- 1 x inline skates (1)
 - (1a) flap
 - (1b) pressure slide
 - (1c) quick-fastening fastener
 - (1d) shoelaces
 - (1e) velcro tongue-fastener
 - (1f) click fastener
 - (1g) ratchet band
 - (1h) sider for the quick-lacing fastener
 - (1i) dressing aid
 - (1j) setting button
 - (1k) symbols for sizing
- 1 x replacement stopper (2)
- 2 x allen keys (3)
- 2 x replacement wheel
- 1 x instructions for use

Technical data

Sizes: 10J - 7
 Rollers: 64 x 24mm, 70 x 24mm, 72 x 24mm
 Ball bearings: ABEC-7 carbon steel bearings
 Wheel: PU polyurethane
 Frame: Aluminum alloy
 Buckle: PP+PE
 Liner: Breathable mesh (polyester + nylon)
 Lining: polyester + nylon
 Shell: PP+PE

 Date of manufacture (month/year):
7/2021

Size Chart

SIZE	US	CM	Fit for feet length(inch)	Fit for age (years)
S	10J-13J	18.5-20.5	7.3-8.1	3-6
M	1-4	21-23	8.3-9.1	6-9
L	5-7	23.5-25.5	9.3-10	Over 9

Intended use

These inline skates have been manufactured for fitness and recreational use for private use, not suitable for street hockey or aggressive skating.

Safety information

Risk of injury!

- Keep an eye on other traffic and follow traffic rules.
- Ensure the correct surface for your inline skating activities. Surfaces should be smooth clean and dry.
- Before you skate, check that all screws and nuts are tight.
- Make sure that the nuts and bolts retain their self-locking properties.
- Do not modify the item in a way that might endanger your safety.
- Remove sharp edges that can occur during skating.

- Always wear suitable protection (helmet, hand protectors, elbow pads, knee pads and wrist guards).
- Avoid areas with dense traffic. Remain vigilant and be careful.
- Avoid excessively high speeds. Rule of thumb Never skate faster than you can run.
- Replace brakes, rollers and ball bearings when these become worn.
- Always wear reflective apparel so that you are visible.
- Do not use the item barefoot.

Preventing damage to the item!

- Maintain your inline skates.
- Avoid water, oil, potholes and very rough surfaces.

Tips for skating

Note:

We recommend skating in skate parks, as well as a skating course with a teacher.

Initial training

Starting position:

feet shoulder-width, bend your knees slightly to prevent falling backwards.

Speeding up:

Start with small steps, as a beginner, keeping your feet pointed to the front at an angle.

Rolling:

If you take a few initial steps, you'll have enough momentum to place both skates side by side and roll. Bend your knees slightly when doing this.

Fall technique

Important! Practice falling on your protective gear first without inline skates, on a soft surface.

Always try to steer falls forwards, never back-wards! Let yourself fall onto the knee guards. Then brace yourself with elbow and hand guards. Spread your fingers while doing this, to prevent injuries.

Mastering bends

At low speeds:

Spread your weight in the same way as when you ride a bicycle. Spread your weight to your left foot for a left bend, and on your right foot for a right bend.

At high speeds:

Cross over in the same way as ice-skating (Fig.B).

Braking techniques

Note:

Practice various braking techniques on an even surface, with no traffic or pedestrians. Prevent falls until you have mastered the braking techniques.

Heel braking technique (Fig.C):

If your inline skates are equipped with brakes, ensure that you use them. The brake is mounted, lightly apply and press the brake to the ground. Shift your weight slightly forward and bend your knees. The braking effect can be enhanced if you bend your knees more and move your weight further forward while at the same time increasing the pressure on your braking skate.

T-Brake (Fig.D):

If your inline skates are not equipped with a brake or you have dismantled the brake, we recommend the use of the "T-Stop-Technology" - however, this is only suitable for advanced skaters! When using the "T-Stop technology", you shift your entire weight on one foot. Now move the other foot behind the first one and place it behind it at right angles. Then shift your weight from the front to the inside of the rollers of your rear skate and brake with increasing pressure.

Setting the size (Fig.E)

Press the setting button down (1i) and shift the shoe while holding down the setting button, setting the correct size.

The shoe must click in, and you must hear a clear "CLICK" sound. The arrow on the shoe shows the size (1k) on the frame.

Setting the width (Fig. F)

Loosen the screw on the underside of the item with the Allen (3) key delivered with the item by turning it in the direction of the arrow.

Adapt the width to your individual requirements by sliding the shoe.

Tighten the bolt again afterwards.

Putting skates on

Preparing for putting on the skates, from its factory setting

Important! Make sure that your inline skates fit properly/correctly.

The outer boot should not deform when the quick-release fastener is closed. Don't close the quickrelease fastener with force.

1. Press the pressure slide (1b) of the quick-release fastener (1c) in the direction of the arrow and open the quick-release fastener(1c)(Fig.G).
2. Press the latch (1f) and pull the ratchet strap(1g) out of the opening of the latch (1f)(Fig.H).
3. Open the Velcro tongue-fastener (1e)(Fig.I)
4. Set the slider of the quick-release fastener (1h) to OPEN and loosen the quick-release fastener (Fig.J).
5. Put on the inline skates with the help of the dressing aid (1i)(Fig.K).
6. Pull the shoelaces (1d) out from behind the flap (1a) and pull them tightly upwards(Fig. L). While doing this, pull on each shoe-lace, (1d) interchanging.
7. Lock the quick-release fastener by sliding the quick-release fastener (1h) lock slider to CLOSE (Fig.M).
8. Tie a loop from both ends of the laces (1d) and put it back behind the flap (1a)
9. Close off the Velcro tongue-fastener (1e).
10. Slide the ratchet strap (1g) into the opening provided under the latch (1f) and set the correct tension for you (Fig. N).

Note! To find the right tension for your foot, push the latch diagonally upwards and move the ratchet strap to the correct position.

- 11.Close the quick fastener (1c)("CLICK")

Taking skates off

1. Press the pressure slide (1b) of the quick-release fastener (1c) in the direction of the arrow and open the quick-release fastener(1c)(Fig.G).
2. Press the latch (1f) and pull the ratchet strap(1g) out of the opening of the latch (Fig. H).
3. Open the Velcro tongue-fastener (1e)(Fig.I)
4. Set the slider of the quick-release fastener(1h) to OPEN and loosen the quick-release fastener (Fig.J).

Maintenance

Replacing the brake (Fig. O)

Note: worn brakes are dangerous! The braking effect can be reduced. Check for brake wear before each journey. If braking control or effectiveness deteriorates before the wear limit mark is reached, the brakes must be replaced. At the latest, replace the brakes when they reach the wear limit mark (1t).

- Unscrew the brake block screw (1n) of the inline skate (1) with the enclosed hexagon socket wrenches(3).
- Pull out the brake block screws (1n) and remove the brake block (1m) from the brake block holder (1l).
- Attach the new brake block (1l) firmly to the brake block holder (1n] using the brake block screws(1m).

Replacing the rollers (Fig. P) Important!

- **See the chapter "Technical data": Wheels with a different diameter may alter the skating properties and possibly endanger the user. Therefore, please do not use if the rollers cannot be installed correctly. Never install larger rollers than the original rollers of the inline skates.**
- **Please note the following for the axle bolts: After loosening the screw connection, you must apply self-locking paint to the thread of the screws again! We recommend that you always follow this as a precaution. Self-securing lacquer is available in DIY stores or specialist shops.**

Wheels wear out. This wear depends on many factors, such as the style of skating, the surface, the size and weight of the user, the weights, the material of the wheels and their hardness. It is therefore necessary to replace them regularly.

- Screw the axle screws (1q) of the inline skate out of the frame (1p) using the Allen keys.
- Pull out the axle bolts (1q) and remove the wheel (1o).
- Reinstall the new roller (1o) in the frame (1p) and fix it with the axle bolts (1q).

After replacing the wheels:

If after the replacement the roller grinds side ways or touches the frame at the circumference please do not use the roller! After the first few minutes of skating, make sure that all screws are still tight and that nothing has detached or become loose. Retighten the rollers individually to ensure that they run smoothly and that there is no noise from the bearings.

Important!

New rollers upgrade the inline skates overall. This changes the distance to the ground and therefore also the braking properties. For this reason, replace the brake pad.

Replacement of the bearings(Fig, Q/R)

Note:

The quality of the ball bearings and their maintenance are crucial for the smooth running of your inline skates
Paramount for your inline skates.

- Remove the roller (1o) as described in the section "Replacing the rollers".
- Position the hexagon key (with handle) (3) with the extra device over the spacer (1r) and push out the spacer (1r). Remove the bearing(1s).
- Press out the other bearing (1s) by pressing with an Allen key (3).
- Push in a new bearing (1s). Turn the wheel (1o) over, insert the spacer (1r) and then press in a second new bearing (1s).
- Secure the roller (1o) again as described in the section "Replacing the rollers" (1p).

Storage, cleaning

Inline skates are technically-constructed sport and recreation devices, so use them according to skill level and skating style. We recommend that you clean and dry the item thoroughly after use.

Remove small stones or other objects that may have got caught on the wheels.

Remove sharp edges that may have occurred during skating. Always store your inline skates in a dry place.

- After skating, clean the bearings with a dry cloth. Dry wet or damp ball bearings with a clean cloth. Grease the bearings with a suitable bearing lubricant from the outside to prevent external rust.
- Bearings are generally locked and cannot be greased from the inside. Worn bearings must be replaced.

Error management

- **Rollers or bearings emit a noise**
Remove the rollers from the frame, take them out and clean the bearings with a dry cloth.
- **Rollers wear out quickly**
Smooth surfaces ensure a longer life-span. Try harder rollers for harder surfaces and for use under more difficult conditions.
- **Block rollers**
Don't tighten the bolt too much.
- **Skate pulls to the left or to the right**
This is dependent on the user. Replace rollers which show one-sided wear.
- **The brake does not function properly**
Worn brakes are dangerous! The braking effect can be reduced. Check for brake wear before each journey.

If braking control or effectiveness deteriorates before the wear limit mark is reached, the brakes must be replaced. At the latest, replace the brakes when they reach the wear limit mark.
- **Brake problems**
Keep a good following distance. The faster you skate, the bigger your braking ratio. Ensure that you understand the braking tech-niques and practice these on a smooth surface or facility.

- **Ankles are often sprained**

Ensure that the shoelaces are tight enough.

- **Problems with the base of the foot**

You are probably not used to this kind of movement.

Control areas which cause problems and adjust the inline skates afresh. Try to wear thick socks.

Disposal

Dispose of the article and the packaging materials in accordance with current local regulations. Packaging materials such as foil bags are not suitable to be given to children. Keep the packaging materials out of the reach of children.



Dispose of the products and the packaging in an environmentally friendly manner.



The recycling code is used to identify various materials for recycling. The code consists of the recycling symbol - which is meant to reflect the recycling cycle - and a number which identifies the material.

Notes on the guarantee and service handling

The product was produced with great care and under constant supervision. You receive one year warranty for this product from the date of purchase.

Please retain your receipt.

The warranty applies only to material and workmanship and does not apply to misuse or improper handling. Your statutory rights, especially the warranty rights, are not affected by this warranty.

With regard to complaints, please contact the following service hotline or contact us by e-mail. Our service employees will advise as to the subsequent procedure as quickly as possible. We will be personally available to discuss the situation with you.

Any repairs under the warranty, statutory guarantees or through goodwill do not extend the warranty period. This also applies to replaced and repaired parts. Repairs after the warranty are subject to a charge.

Contact

Contact us if you experience issues relating to riding, maintenance and safety, or errors/faults with your inline skates.

E-mail Service: service@gyroor.com

support@gyroorboard.com

Facebook [@gyroorboard](#)

Instagram: [gyroorboard](#)

Website: www.gyroor.com

Have your order number on hand when contacting Gyroor.



Learn more News about the Gyroor inline skate?
Scan "Gyroorboard" Messenger QR code to get it soon.

The manufacturer reserves the right to make changes to the product,
and updates this manual at any time.

Visit www.gyroorboard.com to download the latest user manual.

www.gyroorboard.com