

TECHNICAL DATA SHEET

Project Name Catalog #
 Comments Date

80W / 100W / 120W LED Wallpack (Wattage/CCT Tunable)



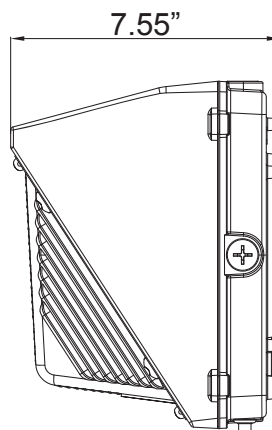
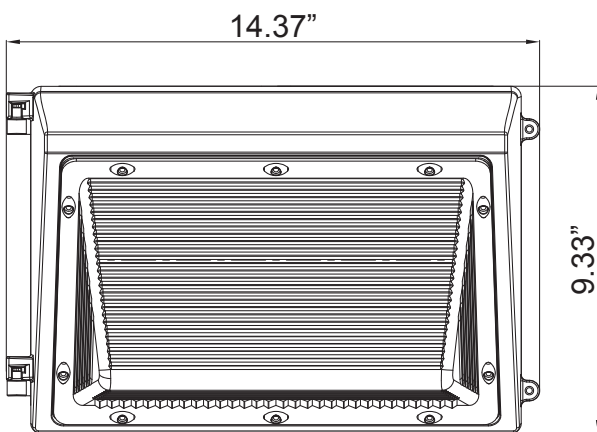
Features HTM-SWP05M-120WBZ50-DBSGDA1

- cUL Listed, DLC Premium # P18PHVWH
- 80W / 100W / 120W Wattage Selectable
- 3000K / 4000K / 5000K CCT Tunable
- 100-277VAC Driver w/ Removable Photocell
- Included 6kV Internal Surge Protector
- 400W-1000W MH/HPS Replacement
- Easy to install and operate
- Energy saving, 50,000+ Life Hours
- Instant start, NO flickering, NO humming
- Green and eco-friendly without mercury.



Applications

- Commercial Buildings, Entrance/Courtyard Lighting
- Loading Bays, Garages, Retail Buildings
- Hotels, Wall Lighting, Backyards
- Apartment Complexes, Outdoor Security Lighting
- Community leisure entertainment plaza





TECHNICAL DATA SHEET

Project Name Catalog #
Comments Date

80W / 100W / 120W LED Wallpack (Wattage/CCT Tunable)

Specifications HTM-SWP05M-120WBZ50-DBSGDA1

Optical			
Input Power	80W	100W	120W
Lumen	10,800 - 11,600 LM	13,500 - 14,500 LM	16,200 - 17,400 LM
Lumen Efficacy	130 - 145 Lm/W		
Color Temperature	3000K - 4000K - 5000K (CCT Tunable)		
CRI	> 80		
Viewing Angle	110 Degree		

Electrical	
Input Voltage	100-277VAC 50/60Hz
PF	≥0.90
THD	≤20%
Driver Model	MP-120TG130A
Optional Accessories	Photocell / Surge Protector / Motion Sensor Using 1/2" Knockouts

MATERIALS	
LED Brand	Lumileds
LED Type	2835
LED QTY	420 PCS
Housing	Die-Cast Aluminum
Housing Color	Bronze
Waterproof Rating	WET IP65 Rated

OTHERS	
Operating Temperature	-40°F ~ 122°F
Operating Humidity	20% ~ 90% RH
Storage Temperature	-40°F ~ 176°F
Storage Humidity	10% ~ 95% RH
Warranty Time	5 Years
Certifications	cUL Listed & DLC Premium# P18PHVWH