

TECHNICAL DATA SHEET

Project Name Catalog #
 Comments Date

HV 300W LED Parking Lot Light (CCT + Wattage Selectable)



Features HTM-S-G12C-300WBT3DH3-abcdefW

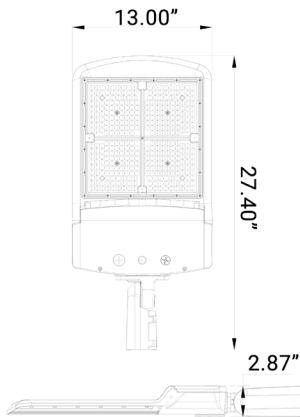
- cUL Listed, DLC 5.1 Premium Listed
- 277-480VAC Internal Sosen Driver
- Included 10kV Surge Protector
- 1000W to 1200W MH/HPS Replacement
- Easy to install and operate
- Energy saving, long lifespan
- Light is soft and uniform, safe to eyes
- Instant start, NO flickering, NO humming
- Green and eco-friendly without mercury.



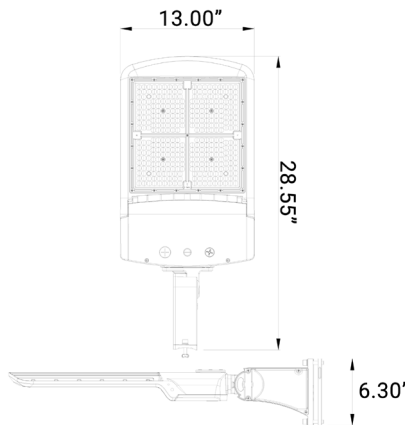
Applications

- Outdoor basketball court, tennis court.
- Football Field, Soccer Fields,
- Stadium & School Playground
- Community leisure entertainment plaza, road lamp etc.

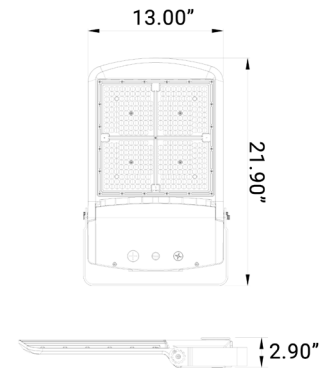
Note: The Letter "E" in SKU stands for
AM: ADJUSTABLE FITTER MOUNTING
DM: DIRECT MOUNTING
FM: FLOOD MOUNTING



AM: 10.15lbs



DM: 10.60lbs



FM: 12.10lbs



TECHNICAL DATA SHEET

Project Name Catalog #
Comments Date

HV 300W LED Parking Lot Light (CCT + Wattage Selectable)

Specifications HTM-S-G12C-300WBT3DH3-abcdefW

Optical

Input Power	300W (Adjustable to 240W & 200W)		
Lumen	37,800lm	43,200lm	40,500lm
Color Temperature	3000K	4000K	5000K
Lumen Efficacy	126lm/w	144lm/w	135lm/w
CRI Color Consistency	> 80 <7 Steps (or <7 SDCM)		
Viewing Angle BUG	Type III Distribution B4-U0-G5		

Electrical

Input Voltage	277-480VAC 50/60Hz
PF	≥0.90
THD	≤20%
Driver Model	Fahold R1-V320B-260B12
Optional Accessories	10kV Surge Protector Included

MATERIALS

LED Brand	Lumileds
LED Type	SMD2835
LED QTY	364 * 2 PCS
Housing	Die Cast Aluminum
Housing Color	Bronze
Waterproof Rating	WET IP65 Rated

OTHERS

Operating Temperature	-40°F ~ 122°F
Operating Humidity	10% ~ 90% RH
Storage Temperature	-40°F ~ 176°F
Storage Humidity	10% ~ 95% RH
Warranty Time	5 Years
Certifications	cUL Listed & DLC Premium