

TECHNICAL DATA SHEET

Project Name Catalog #
 Comments Date

HV 150W LED Parking Lot Light (CCT + Wattage Selectable)



Features HTM-S-G12C-150WBT3DH3-abcdefW

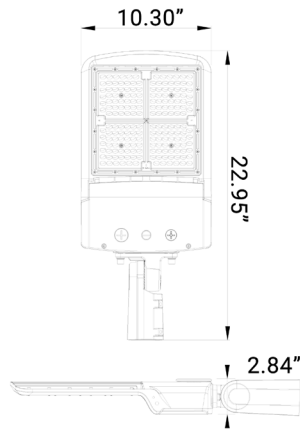
- cUL Listed, DLC 5.1 Premium Listed
- 277-480VAC Internal Faold Driver
- Included 10kV Surge Protector
- 400W to 500W MH/HPS Replacement
- Easy to install and operate
- Energy saving, long lifespan
- Light is soft and uniform, safe to eyes
- Instant start, NO flickering, NO humming
- Green and eco-friendly without mercury.



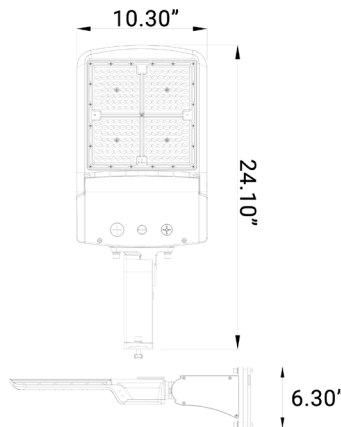
Applications

- Outdoor basketball court, tennis court.
- Football Field, Soccer Fields,
- Stadium & School Playground
- Community leisure entertainment plaza, road lamp etc.

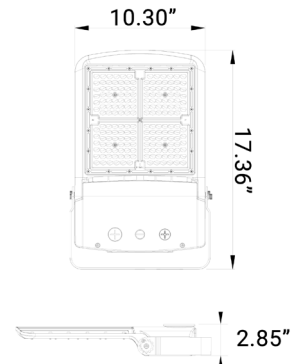
Note: The Letter "E" in SKU stands for
AM: ADJUSTABLE FITTER MOUNTING
DM: DIRECT MOUNTING
FM: FLOOD MOUNTING



AM: 7.70 lbs



DM: 8.15 lbs



FM: 7.50 lbs



TECHNICAL DATA SHEET

Project Name Catalog #
 Comments Date

HV 150W LED Parking Lot Light (CCT + Wattage Selectable)

Specifications HTM-S-G12C-150WBT3DH3-abcdefW

| Optical | | | |
|-------------------------|----------------------------------|----------|----------|
| Input Power | 150W (Adjustable to 120W & 80W) | | |
| Lumen | 19,200lm | 21,900lm | 20,700lm |
| Color Temperature | 3000K | 4000K | 5000K |
| Lumen Efficacy | 128lm/w | 146lm/w | 138lm/w |
| CRI Color Consistency | > 80 <7 Steps (or <7 SDCM) | | |
| Viewing Angle BUG | Type III Distribution B4-U0-G4 | | |

| Electrical | |
|----------------------|-------------------------------|
| Input Voltage | 277-480VAC 50/60Hz |
| PF | ≥0.90 |
| THD | ≤20% |
| Driver Model | Fahold R1-V150B-260B12 |
| Optional Accessories | 10kV Surge Protector Included |

| MATERIALS | |
|-------------------|-------------------|
| LED Brand | Lumileds |
| LED Type | SMD2835 |
| LED QTY | 182 * 2 PCS |
| Housing | Die Cast Aluminum |
| Housing Color | Bronze |
| Waterproof Rating | WET IP65 Rated |

| OTHERS | |
|-----------------------|--------------------------|
| Operating Temperature | -40°F ~ 122°F |
| Operating Humidity | 10% ~ 90% RH |
| Storage Temperature | -40°F ~ 176°F |
| Storage Humidity | 10% ~ 95% RH |
| Warranty Time | 5 Years |
| Certifications | cUL Listed & DLC Premium |