

TECHNICAL DATA SHEET

Project Name Catalog #
 Comments Date

150W LED Shoe Box For 400W-500W HID Fixture Replacement



Features HTM-S150HLT3[AM,YM,DM,FM]A1

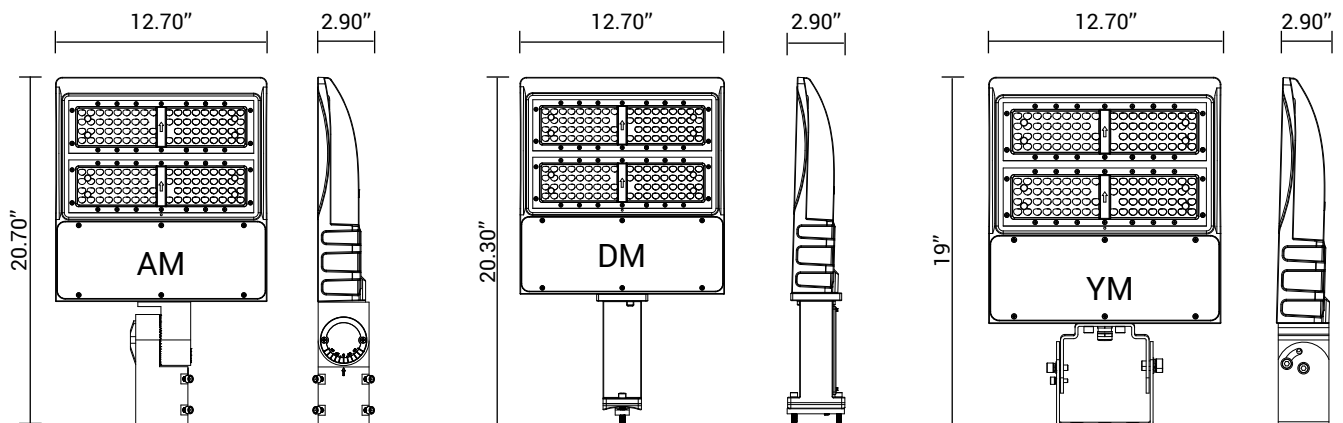
- UL Listed, DLC Qualified
- PHILLIPS LUMILEDS Chip, high CRI
- Internal 100-277VAC Mean Well IP65 driver
- No UV or IR in the beam
- Easy to install and operate
- Energy saving, long lifespan
- Light is soft and uniform, safe to eyes
- Instant start, NO flickering, NO humming
- Green and eco-friendly without mercury.



Applications

- Outdoor basketball court, tennis court.
- Football Field, badminton court,
- Stadium & School Playground
- Community leisure entertainment plaza, road lamp etc.

Note: The Letter "Y" in SKU stands for
AM: ADJUSTABLE FITTER MOUNTING
DM: DIRECT MOUNTING
YM: YOKE MOUNTING





TECHNICAL DATA SHEET

Project Name Catalog #
 Comments Date

150W LED Shoe Box For 400W-500W HID Fixture Replacement

Specifications HTM-S150HLT3[AM,YM,DM,FM]A1

GENERAL PERFORMANCES

Product Name	150W LED Shoebox Light		
Light Type	Shoebox Light		
Part No	HTM-S150HLT3AMA1	HTM-S150HLT3DMA1	HTM-S150HLT3YMA1
Dimensions	20.70" x 12.70" x 2.90"	20.30" x 12.70" x 2.90"	19" x 12.70" x 2.90"
Color Temperature	4000K	5000K	5700K
CRI	>70		
Lumen	18,000-19,400 Lm		
Lumen Efficacy	120-130 Lm/W		
Input Wattage	150W		
Viewing Angle	150 x 85° (Type III)		
Input Voltage	100-277VAC 50/60Hz		
Driver Model	HLG-150H-48A		
Power Factor	>0.90		
Waterproof Rating	IP65		

MATERIALS

LED Brand	PHILLIPS LUMILEDS
LED Type	LUXENON 3030 2D (1.5W)
LED QTY	140PCS
Housing	Aluminum Alloy
Housing Color	Bronze / Black / White
Optional Accessory	Photocell / Surge Protector
Operating Temperature	-4°F to 113°F
Operating Humidity	20%-90% RH
Storage Temperature	-22°F to 176°F

OTHERS

Storage Humidity	10%-95%
Application	Outdoor / Indoor
Safety Certification	UL Listed, DLC Qualified (Product ID: P4QFA8U4)
Warranty Time	5 Years



TECHNICAL DATA SHEET

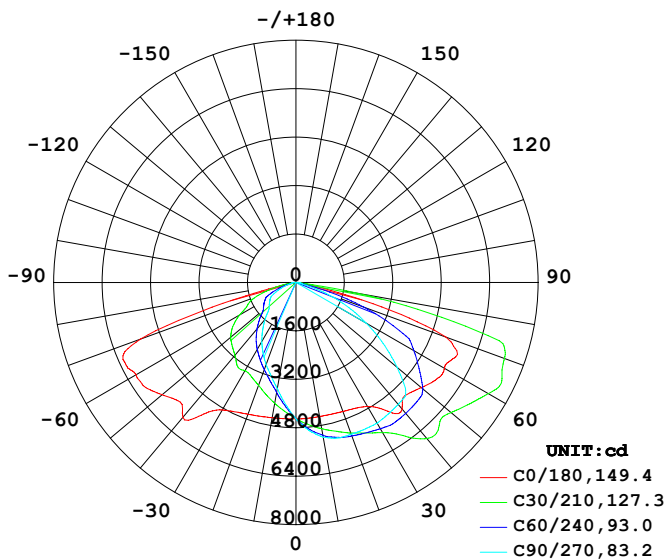
Project Name Catalog #
 Comments Date

150W LED Shoe Box For 400W-500W HID Fixture Replacement

Photometrics HTM-S150HLT3[AM,YM,DM,FM]A1

DATA OF LAMP		PHOTOMETRIC DATA			
MODEL	HTM-S150HTL3YA1	Imax (cd)	8070	S/MH (C0/180)	1.83
NOMINAL POWER (W)	150	LOR (%)	100.0	S/MH (C90/270)	0.79
RATED VOLTAGE (V)	100	TOTAL FLUX (lm)	18359	η UP, DN (C0-180)	0.0, 68.8
NOMINAL FLUX (lm)	18358.6	CIE CLASS	DIRECT	η UP, DN (C180-360)	0.0, 31.2
LAMPS INSIDE	1	η up (%)	0.0	CIBSE SHR NOM	1.50
TEST VOLTAGE (V)	100	η down (%)	100.0	CIBSE SHR MAX	1.55

LUMINOUS INTENSITY DISTRIBUTION DIAGRAM



AVERAGE BEAM ANGLE (50%) : 113.2 DEG

Flux out: 7033 lm

