

LED CYLINDER WALL LIGHT

User Manual

WARNING:

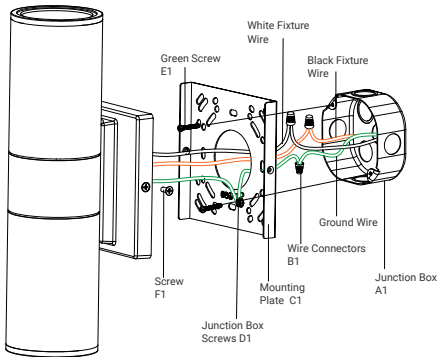
1. PLEASE READ THE PRODUCT SPECIFICATIONS CAREFULLY AND MAKE SURE THE ENVIRONMENT OF USAGE MEETS WHAT THE PRODUCT REQUIRES.
2. PLEASE DO NOT COVER ANYTHING ON THE LAMP TO AVOID HIGH TEMPERATURES.
3. PLEASE DO NOT PUT THIS PRODUCT IN WATER.
4. PLEASE keep this product away from fires, high temperature environments or corrosive gas which may shorten its service life.
5. PLEASE disconnect the power when installing or overhauling this lamp to avoid any risk of injury.
6. The installation and maintenance of this lamp **MUST** be performed by professionals.

WARRANTY:

HTM Lighting Solutions warrants that this product is free from defects in materials and workmanship for a period of 5 years from the date of purchase. This warranty does not apply if the product has been damaged through misuse, abuse, accident, modifications, alterations, neglect, or mishandling.

MOUNTING THE FIXTURE

Fig. 1

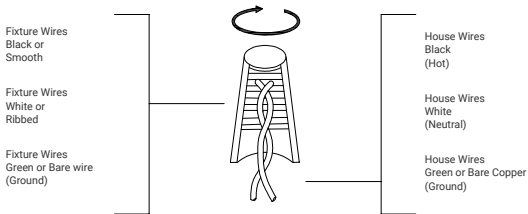


1. Secure the Mounting Plate (C1) to the Junction Box (A1) using Junction Box Screws (D1). The side of the mounting plate marked "GND"(C1) must face out.

CONNECTING THE WIRES

2. Connect the electrical wires as shown in Fig. 2, making sure that all Wire Connectors (B1) are secured. If your outlet box has a green or bare copper ground wire, connect the fixture's ground wire to it. Otherwise, connect the fixture's ground wire directly to the Mounting Plate (C1) using the Green Screw (E1) provided. After wires are connected, tuck them carefully inside the junction box.
3. Place the fixture over the Mounting Plate (C1) and secure with Screws (F1)

Fig. 2



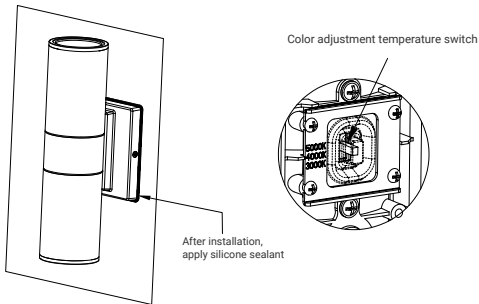
COMPLETING THE INSTALLATION

4. To prevent moisture from entering the outlet box and causing a short, use clear caulking (i.e. indoor/outdoor silicone sealant) to outline the outside of fixture back plate where it meets the wall leaving a space at bottom to allow moisture a means to escape (Fig.3).

FUNCTION ADJUSTMENT

5. Adjust the switch inside the silicone pad to adjust the color temperature (Fig.3).

Fig.3





LED CYLINDER WALL LIGHT

User Manual

FEEDBACK

Your feedback is very important to us! Please consider leaving us a feedback and/or seller rating, we greatly appreciate your input!

NEED HELP?

Please fill out the information below and keep this booklet as reference.

If you have any questions or need assistance with your order, please contact Customer Support and let us work to resolve it for you!

Order Number: _____

Product SKU#: _____

Order Date: _____

Job Reference: _____

CUSTOMER SUPPORT

E: support@htm-lighting.com

P: +1 (813) 649 8899

W: www.htm-lighting.com