



# TECHNICAL DATA SHEET

Project Name  Catalog #   
 Comments  Date

## 42W Wall-Mounted LED Barn Light

### Benefits

- Over 50,000+ Hours L70 Rated, Save on maintenance, and Electricity Cost
- Easy installation, Comes with a Secure Wall-Mounting Plate, 54in. Wire
- Instant-On, No Humming, No Flickering
- Rated Operating Temperature -40°F + 122°F
- ETL/cETL & Energy Star Rated
- May Order With or Without Photocell
- Suitable for Outdoor and Wet Locations
- 5 Year HTM Lighting Solutions Warranty

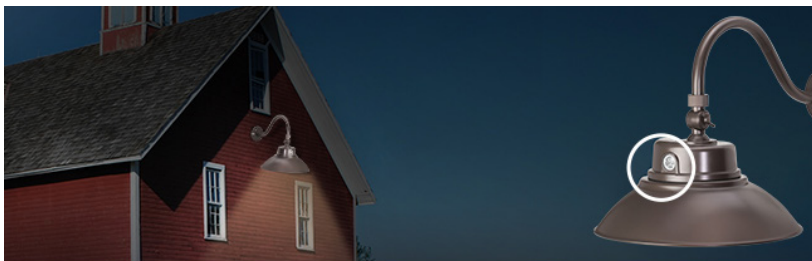


### Specifications

SKU	HTM-BS14-GN15-42W-30ZZ-BLK/BZ
Power	42W
Voltage Input	100-277VAC
Lumen Output	3800 lm
Color Temperature	3000K
CRI	>80
Operating Temperature	-40°F + 122°F
Warranty	5 Year Warranty
Lumen Maintenance (L70)	50,000+ Life Hours Rated
Product Dimensions	15.70" x 14.20" x 13.20" (LxWxH)



### Applications



▶ PHOTOCELL INCLUDED



3,800 LUMENS



CRI>80



42W AT 95LM/W



HTM Lighting Solutions  
 6420 Benjamin Road,  
 Tampa, FL 33634

sales@htm-lighting.com  
 Rev. V0717

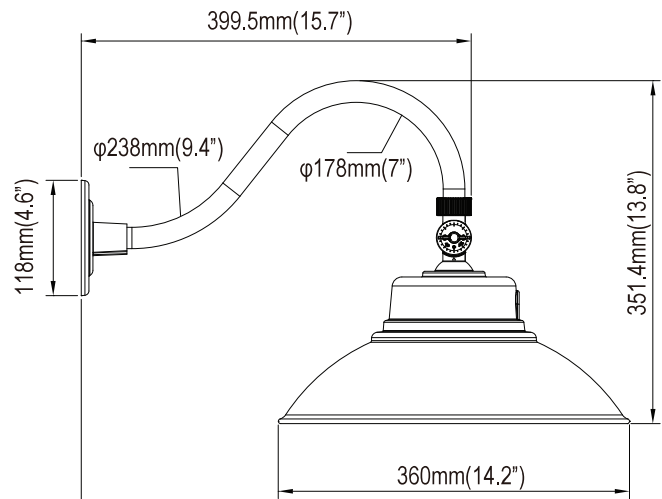
Tel: +1 (813) 649-8899  
 Fax: +1 (813) 425-9007  
 www.htm-lighting.com

# TECHNICAL DATA SHEET

Project Name  Catalog #   
 Comments  Date

## 42W Wall-Mounted LED Barn Light

### Dimensions



### Photometries

