



TECHNICAL DATA SHEET

Project Name Catalog #
 Comments Date

Eco-RLM Line - 10" & 12" Emblem Shade

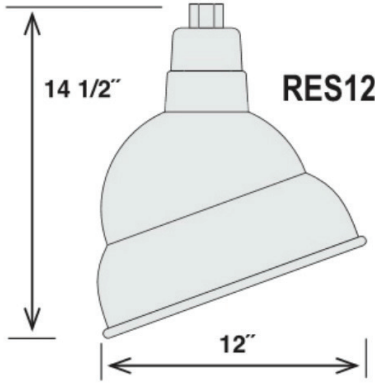
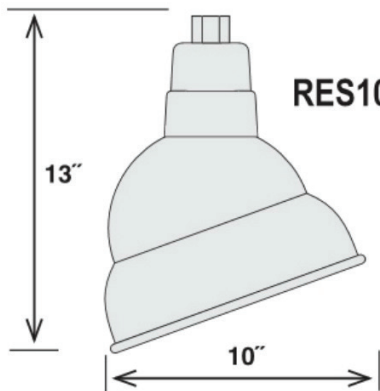
Features

- UL Listed for Wet Locations & Dark Sky Compliant
- Every Gooseneck Arm comes with round mounting plate to fit onto standard round junction box
- 100" Wire Length Included With Every Shades
- Up to 200W Incandescent or LED Compatible



Specifications

Base Type	Medium (E26)
Bulb Type	LED / Incandescent
Voltage	120 Volts
Max Wattage	200W A21
Material	Cold Rolled Steel, and Die Cast Zinc Shade w/ Glass and Guard Options



Finishes Available:

Architectural Bronze	ABR
Galvanized	GA
Satin Black	SB
Satin Green	SG
Satin Red	SR
White	WH

Tel: +1 (813) 649-8899
 Fax: +1 (813) 425-9007

sales@htm-lighting.com
 Rev: V0517

HTM Lighting Solutions
 6420 Benjamin Road,
 Tampa, FL 33634

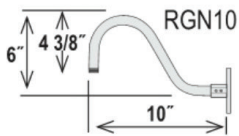


TECHNICAL DATA SHEET

Project Name Catalog #
 Comments Date

Eco-RLM Line - 10" & 12" Emblem Shade

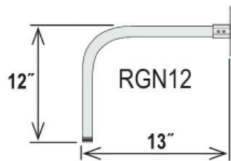
Gooseneck Arms



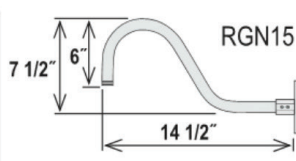
RGN10-ABR	ID: 3/4"	L:10"
RGN10-GA	ID: 3/4"	L:10"
RGN10-SB	ID: 3/4"	L:10"
RGN10-SG	ID: 3/4"	L:10"
RGN10-SR	ID: 3/4"	L:10"
RGN10-WH	ID: 3/4"	L:10"



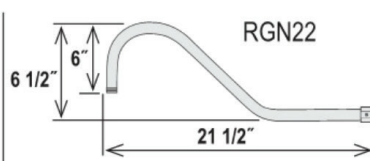
Back Plate included with gooseneck



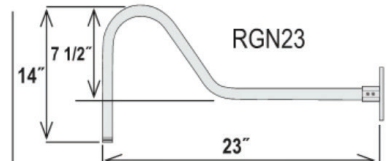
RGN12-ABR	ID: 3/4"	L:13"
RGN12-GA	ID: 3/4"	L:13"
RGN12-SB	ID: 3/4"	L:13"
RGN12-SG	ID: 3/4"	L:13"
RGN12-SR	ID: 3/4"	L:13"
RGN12-WH	ID: 3/4"	L:13"



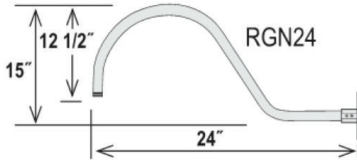
RGN15-ABR	ID: 3/4"	L:14 1/2"
RGN15-GA	ID: 3/4"	L:14 1/2"
RGN15-SB	ID: 3/4"	L:14 1/2"
RGN15-SG	ID: 3/4"	L:14 1/2"
RGN15-SR	ID: 3/4"	L:14 1/2"
RGN15-WH	ID: 3/4"	L:14 1/2"



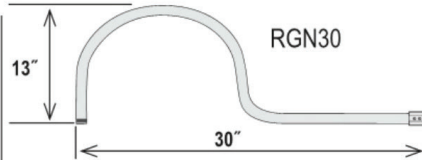
RGN22-ABR	ID: 3/4"	L:21 1/2"
RGN22-GA	ID: 3/4"	L:21 1/2"
RGN22-SB	ID: 3/4"	L:21 1/2"
RGN22-SG	ID: 3/4"	L:21 1/2"
RGN22-SR	ID: 3/4"	L:21 1/2"
RGN22-WH	ID: 3/4"	L:21 1/2"



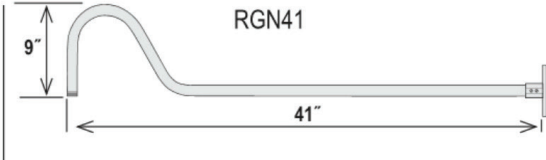
RGN23-ABR	ID: 3/4"	L:23"
RGN23-GA	ID: 3/4"	L:23"
RGN23-SB	ID: 3/4"	L:23"
RGN23-SG	ID: 3/4"	L:23"
RGN23-SR	ID: 3/4"	L:23"
RGN23-WH	ID: 3/4"	L:23"



RGN24-ABR	ID: 3/4"	L:24"
RGN24-GA	ID: 3/4"	L:24"
RGN24-SB	ID: 3/4"	L:24"
RGN24-SG	ID: 3/4"	L:24"
RGN24-SR	ID: 3/4"	L:24"
RGN24-WH	ID: 3/4"	L:24"

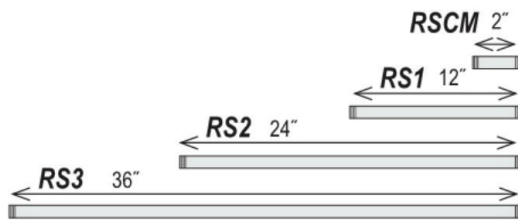


RGN30-ABR	ID: 3/4"	L:30"
RGN30-GA	ID: 3/4"	L:30"
RGN30-SB	ID: 3/4"	L:30"
RGN30-SG	ID: 3/4"	L:30"
RGN30-SR	ID: 3/4"	L:30"
RGN30-WH	ID: 3/4"	L:30"

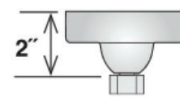
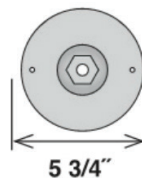


RGN41-ABR	ID: 3/4"	L:41"
RGN41-GA	ID: 3/4"	L:41"
RGN41-SB	ID: 3/4"	L:41"
RGN41-SG	ID: 3/4"	L:41"
RGN41-SR	ID: 3/4"	L:41"
RGN41-WH	ID: 3/4"	L:41"

Stems & Canopy Kits



RSCM-ABR	ID: 3/4"	L:2"
RSCM-GA	ID: 3/4"	L:2"
RSCM-SB	ID: 3/4"	L:2"
RSCM-SG	ID: 3/4"	L:2"
RSCM-SR	ID: 3/4"	L:2"
RSCM-WH	ID: 3/4"	L:2"
RS2-ABR	ID: 3/4"	L:24"
RS2-GA	ID: 3/4"	L:24"
RS2-SB	ID: 3/4"	L:24"
RS2-SG	ID: 3/4"	L:24"
RS2-SR	ID: 3/4"	L:24"
RS2-WH	ID: 3/4"	L:24"



RSCK-ABR	W: 5 3/4"
RSCK-GA	W: 5 3/4"
RSCK-SB	W: 5 3/4"
RSCK-SG	W: 5 3/4"
RSCK-SR	W: 5 3/4"
RSCK-WH	W: 5 3/4"

Canopy Kits will Swivel up to 25°



TECHNICAL DATA SHEET

Project Name Catalog #
 Comments Date

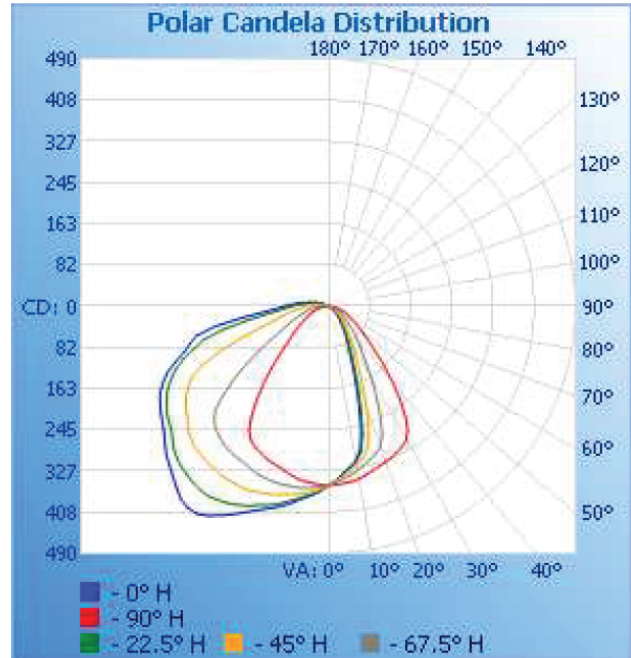
Eco-RLM Line - RES10 Emblem Shade

Photometric and Electrical Measurements - Distribution Method

Intertek Sample No.	Base Orientation	Input Voltage (Vac)	Input Current (mA)	Input Power (Watts)	Input Power Factor	Absolute Luminous Flux (Lumens)	Lumen Efficacy (Lumens Per Watt)
RES10-WH							
M242869-1	UP	120.0	1384	166.5	1.000	973.7	5.848

Intensity (Candlepower) Summary at 25°C - Candelas

Angle	0	22.5	45	67.5	90
RES10-WH					
0	355	355	355	355	355
5	332	334	338	343	352
10	311	313	320	330	347
15	249	263	295	315	337
20	156	170	224	298	329
25	101	110	148	245	320
30	71	78	103	175	307
35	49	54	75	124	266
40	37	40	53	90	200
45	26	30	40	68	141
50	15	19	30	49	99
55	3	7	20	39	75
60	0	0	9	30	56
65	0	0	0	20	43
70	0	0	0	9	34
75	0	0	0	0	24
80	0	0	0	0	14
85	0	0	0	0	4
90	0	0	0	0	0





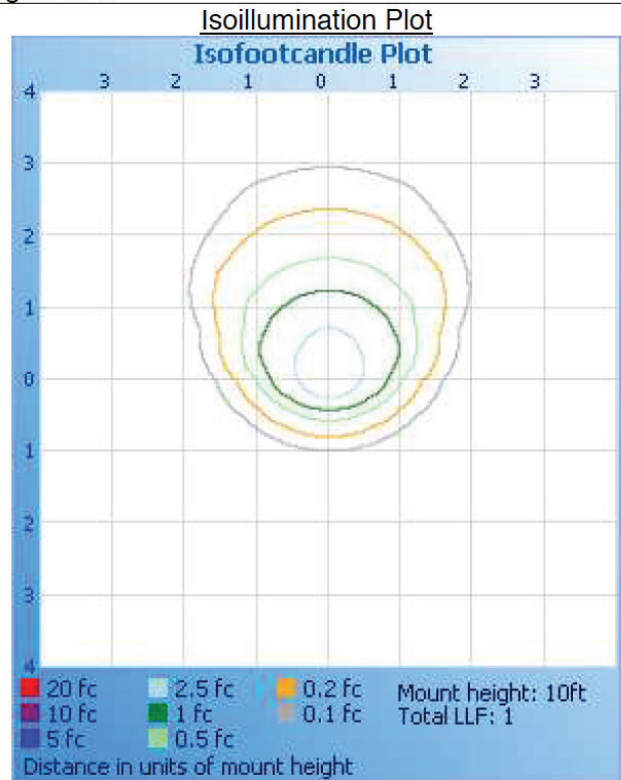
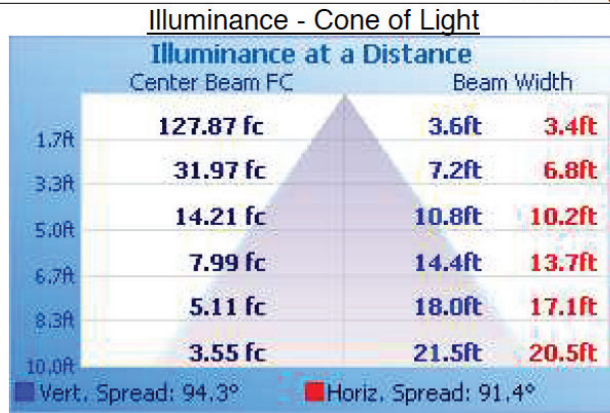
TECHNICAL DATA SHEET

Project Name Catalog #
 Comments Date

Eco-RLM Line - RES10 Emblem Shade

Illumination Plots

Model No.: RES10-WH
 Mounting Height: 10 ft.



Zonal Lumen Summary and Percentages at 25°C

Zone	Lumens	% Luminaire
RES10-WH		
0-30	260.1	26.7
0-40	414.1	42.5
0-60	714.9	73.4
60-90	232.3	23.9
0-90	947.2	97.3
90-180	26.5	2.7
0-180	973.7	100.0



TECHNICAL DATA SHEET

Project Name Catalog #
 Comments Date

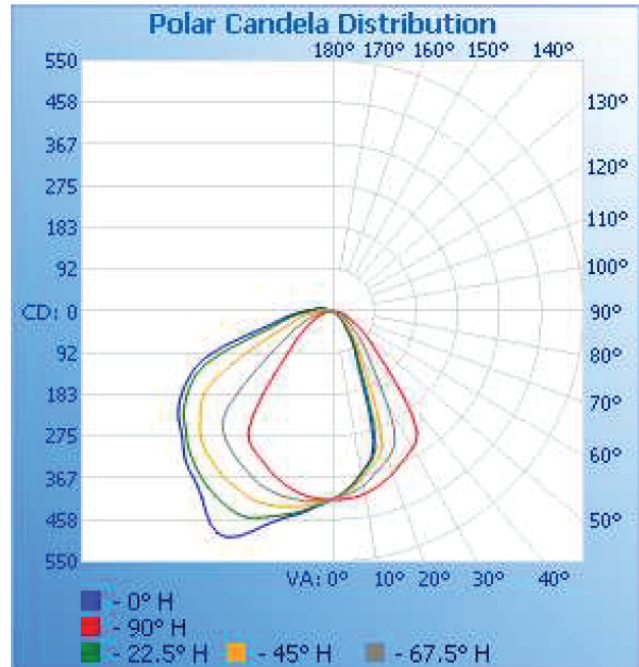
Eco-RLM Line - RES12 Emblem Shade

Photometric and Electrical Measurements - Distribution Method

Intertek Sample No.	Base Orientation	Input Voltage (Vac)	Input Current (mA)	Input Power (Watts)	Input Power Factor	Absolute Luminous Flux (Lumens)	Lumen Efficacy (Lumens Per Watt)
RES12-WH							
M242869-3	UP	120.0	1388	167.2	1.000	1008	6.029

Intensity (Candlepower) Summary at 25°C - Candelas

Angle	0	22.5	45	67.5	90
RES12-WH					
0	413	413	413	413	413
5	390	392	396	403	412
10	361	364	374	389	407
15	331	336	347	366	395
20	236	262	317	348	381
25	136	152	212	322	364
30	97	104	134	244	349
35	67	75	98	158	323
40	44	49	71	114	238
45	34	37	48	85	156
50	24	27	37	60	112
55	12	16	27	43	85
60	0	5	17	34	61
65	0	0	6	24	44
70	0	0	0	14	35
75	0	0	0	3	25
80	0	0	0	0	15
85	0	0	0	0	4
90	0	0	0	0	0





TECHNICAL DATA SHEET

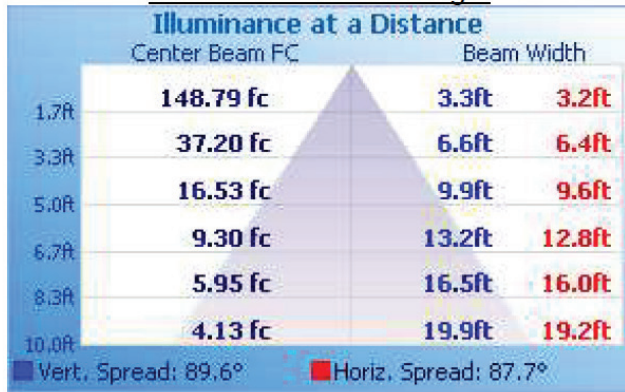
Project Name Catalog #
 Comments Date

Eco-RLM Line - RES12 Emblem Shade

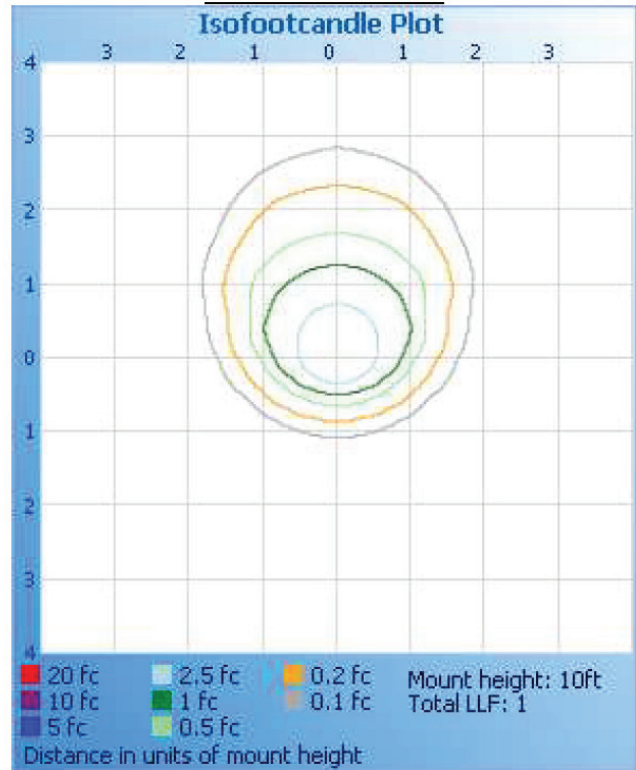
Illumination Plots

Model No.: RES12-WH
 Mounting Height: 10 ft.

Illuminance - Cone of Light



Isoillumination Plot



Zonal Lumen Summary and Percentages at 25°C

Zone	Lumens	% Luminaire
	RES12-WH	
0-30	308.4	30.6
0-40	482.1	47.8
0-60	798.2	79.2
60-90	191.2	19.0
0-90	989.4	98.2
90-180	18.3	1.8
0-180	1008	100.0