



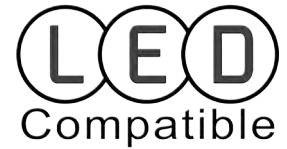
TECHNICAL DATA SHEET

Project Name Catalog #
 Comments Date

Eco-RLM Line - 10" & 12" Deep Bowl Shade

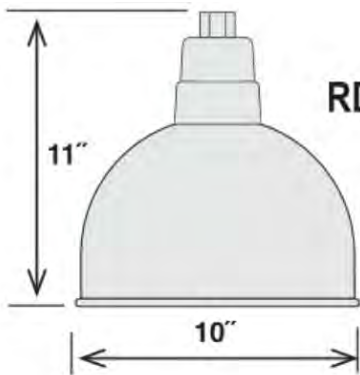
Features

- UL Listed for Wet Locations
- Every Gooseneck Arm comes with round mounting plate to fit onto standard round junction box
- 100" Wire Length Included With Every Shades
- Up to 200W Incandescent or LED Compatible

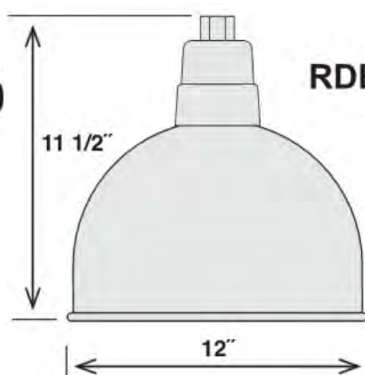


Specifications

Base Type	Medium (E26)
Bulb Type	LED / Incandescent
Voltage	120 Volts
Max Wattage	200W A21
Material	Cold Rolled Steel, and Die Cast Zinc Shade w/ Glass and Guard Options



RDBS10



RDBS12

Finishes Available:

Architectural Bronze	ABR
Galvanized	GA
Satin Black	SB
Satin Green	SG
Satin Red	SR
White	WH

Tel: +1 (813) 649-8899
 Fax: +1 (813) 425-9007

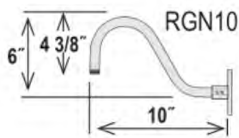
sales@htm-lighting.com
 Rev: V0916

HTM Lighting Solutions
 6420 Benjamin Road,
 Tampa, FL 33634

Project Name Catalog #
 Comments Date

Eco-RLM Line - 10" & 12" Deep Bowl Shade

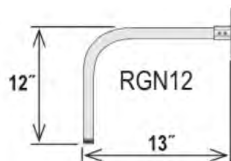
Gooseneck Arms



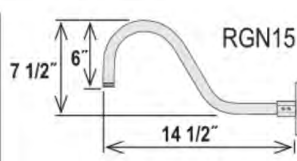
RGN10-ABR	ID: 3/4"	L:10"
RGN10-GA	ID: 3/4"	L:10"
RGN10-SB	ID: 3/4"	L:10"
RGN10-SG	ID: 3/4"	L:10"
RGN10-SR	ID: 3/4"	L:10"
RGN10-WH	ID: 3/4"	L:10"



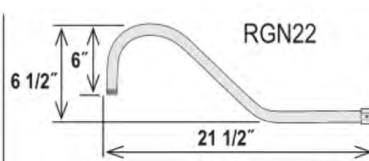
Back Plate included with gooseneck



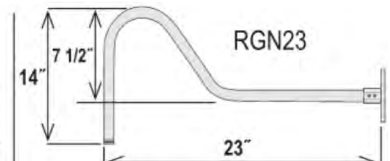
RGN12-ABR	ID: 3/4"	L:13"
RGN12-GA	ID: 3/4"	L:13"
RGN12-SB	ID: 3/4"	L:13"
RGN12-SG	ID: 3/4"	L:13"
RGN12-SR	ID: 3/4"	L:13"
RGN12-WH	ID: 3/4"	L:13"



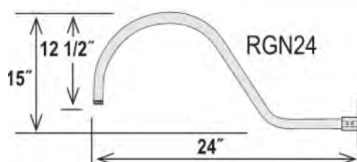
RGN15-ABR	ID: 3/4"	L:14 1/2"
RGN15-GA	ID: 3/4"	L:14 1/2"
RGN15-SB	ID: 3/4"	L:14 1/2"
RGN15-SG	ID: 3/4"	L:14 1/2"
RGN15-SR	ID: 3/4"	L:14 1/2"
RGN15-WH	ID: 3/4"	L:14 1/2"



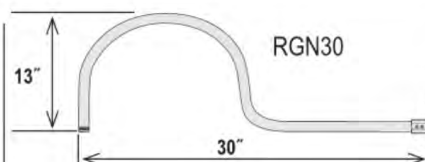
RGN22-ABR	ID: 3/4"	L:21 1/2"
RGN22-GA	ID: 3/4"	L:21 1/2"
RGN22-SB	ID: 3/4"	L:21 1/2"
RGN22-SG	ID: 3/4"	L:21 1/2"
RGN22-SR	ID: 3/4"	L:21 1/2"
RGN22-WH	ID: 3/4"	L:21 1/2"



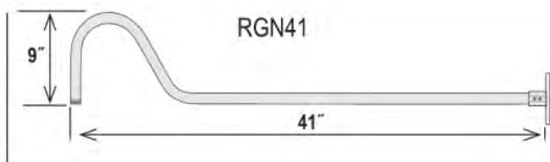
RGN23-ABR	ID: 3/4"	L:23"
RGN23-GA	ID: 3/4"	L:23"
RGN23-SB	ID: 3/4"	L:23"
RGN23-SG	ID: 3/4"	L:23"
RGN23-SR	ID: 3/4"	L:23"
RGN23-WH	ID: 3/4"	L:23"



RGN24-ABR	ID: 3/4"	L:24"
RGN24-GA	ID: 3/4"	L:24"
RGN24-SB	ID: 3/4"	L:24"
RGN24-SG	ID: 3/4"	L:24"
RGN24-SR	ID: 3/4"	L:24"
RGN24-WH	ID: 3/4"	L:24"

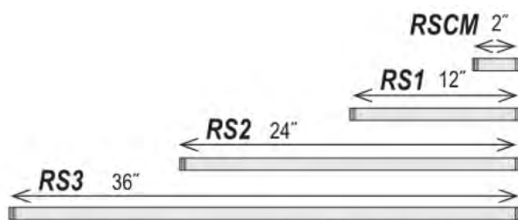


RGN30-ABR	ID: 3/4"	L:30"
RGN30-GA	ID: 3/4"	L:30"
RGN30-SB	ID: 3/4"	L:30"
RGN30-SG	ID: 3/4"	L:30"
RGN30-SR	ID: 3/4"	L:30"
RGN30-WH	ID: 3/4"	L:30"

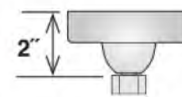
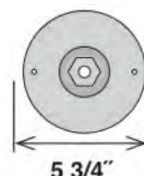


RGN41-ABR	ID: 3/4"	L:41"
RGN41-GA	ID: 3/4"	L:41"
RGN41-SB	ID: 3/4"	L:41"
RGN41-SG	ID: 3/4"	L:41"
RGN41-SR	ID: 3/4"	L:41"
RGN41-WH	ID: 3/4"	L:41"

Stems & Canopy Kits



RSCM-ABR	ID: 3/4"	L:2"	RS2-ABR	ID: 3/4"	L:24"
RSCM-GA	ID: 3/4"	L:2"	RS2-GA	ID: 3/4"	L:24"
RSCM-SB	ID: 3/4"	L:2"	RS2-SB	ID: 3/4"	L:24"
RSCM-SG	ID: 3/4"	L:2"	RS2-SG	ID: 3/4"	L:24"
RSCM-SR	ID: 3/4"	L:2"	RS2-SR	ID: 3/4"	L:24"
RSCM-WH	ID: 3/4"	L:2"	RS2-WH	ID: 3/4"	L:24"



RSCK

RSCK-ABR	W: 5 3/4"
RSCK-GA	W: 5 3/4"
RSCK-SB	W: 5 3/4"
RSCK-SG	W: 5 3/4"
RSCK-SR	W: 5 3/4"
RSCK-WH	W: 5 3/4"

Canopy Kits will Swivel up to 25°



TECHNICAL DATA SHEET

Project Name Catalog #
 Comments Date

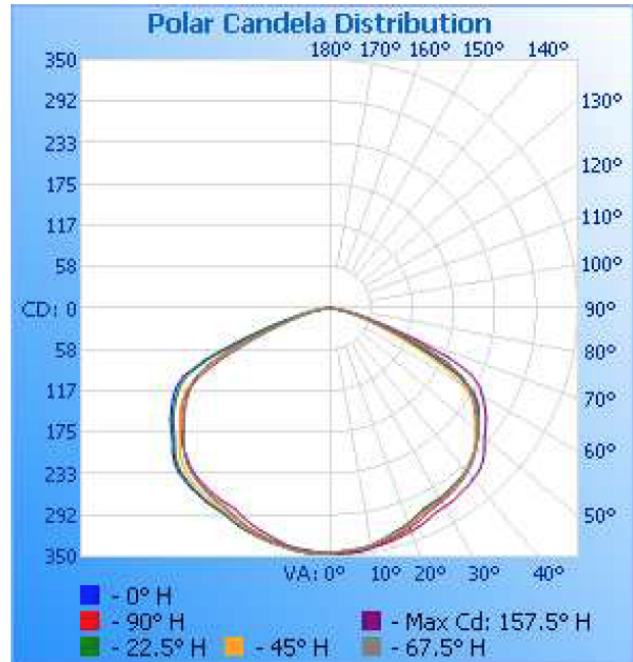
Eco-RLM Line - RDBS10 Deep Bowl Shade

Photometric and Electrical Measurements - Distribution Method

Intertek Sample No.	Base Orientation	Input Voltage (Vac)	Input Current (mA)	Input Power (Watts)	Input Power Factor	Absolute Luminous Flux (Lumens)	Lumen Efficacy (Lumens Per Watt)
RDBC10-WH							
M242868-1	UP	120.0	1387	166.8	1.000	1168	7.007

Intensity (Candlepower) Summary at 25°C - Candelas

Angle	0	22.5	45	67.5	90
RDBC10-WH					
0	345	345	345	345	345
5	342	343	342	343	345
10	340	340	340	340	342
15	331	331	332	334	336
20	323	324	325	327	330
25	312	313	315	317	321
30	310	310	312	313	315
35	305	306	307	308	309
40	299	300	301	302	302
45	288	288	288	289	289
50	274	274	272	273	270
55	257	256	252	253	250
60	233	232	217	230	227
65	165	167	145	185	186
70	88	89	78	101	102
75	44	45	45	49	48
80	21	22	24	25	24
85	5	6	7	8	7
90	0	0	0	0	0





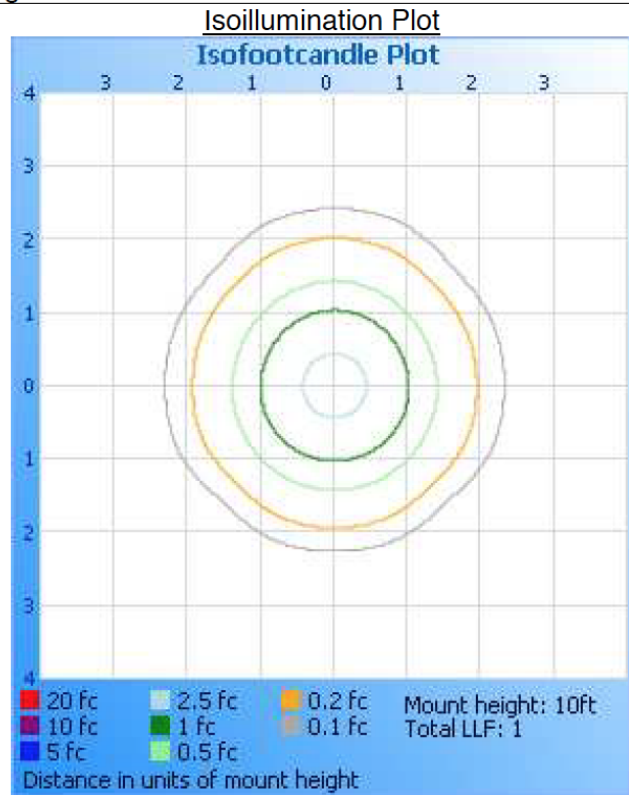
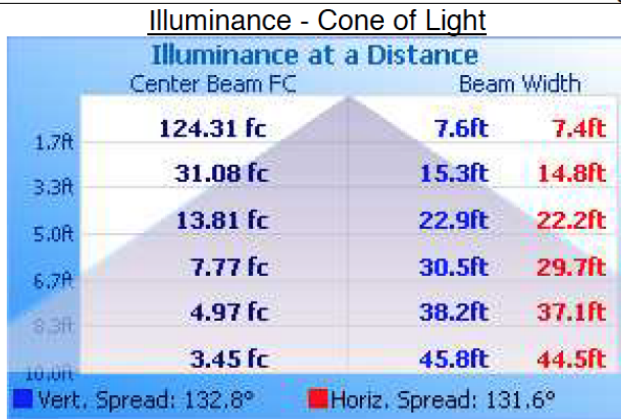
TECHNICAL DATA SHEET

Project Name Catalog #
 Comments Date

Eco-RLM Line - RDBS10 Deep Bowl Shade

Illumination Plots

Model No.: RDBC10-WH
 Mounting Height: 10 ft.



Zonal Lumen Summary and Percentages at 25°C

Zone	Lumens RDBC10-WH	% Luminaire
0-30	276.3	23.7
0-40	471.5	40.4
0-60	926.2	79.3
60-90	242.0	20.7
0-90	1168	100.0
90-180	0.0	0.0
0-180	1168	100.0



TECHNICAL DATA SHEET

Project Name Catalog #
 Comments Date

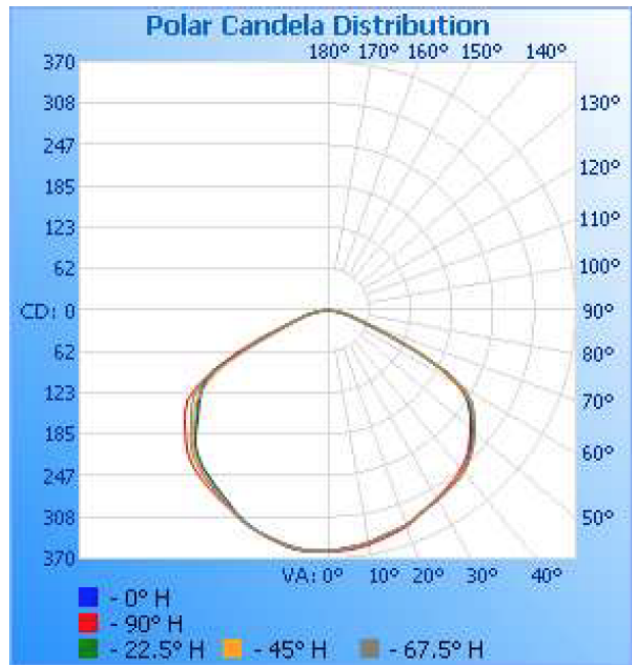
Eco-RLM Line - RDBS12 Deep Bowl Shade

Photometric and Electrical Measurements - Distribution Method

Intertek Sample No.	Base Orientation	Input Voltage (Vac)	Input Current (mA)	Input Power (Watts)	Input Power Factor	Absolute Luminous Flux (Lumens)	Lumen Efficacy (Lumens Per Watt)
RDBC12-WH							
M242869-4	UP	120.0	1384	166.4	1.000	1127	6.773

Intensity (Candlepower) Summary at 25°C - Candelas

Angle	0	22.5	45	67.5	90
RDBC12-WH					
0	359	359	359	359	359
5	355	355	356	356	358
10	351	351	352	353	355
15	345	345	345	346	349
20	341	341	340	340	343
25	332	332	332	331	333
30	327	327	327	326	324
35	321	321	321	320	317
40	314	315	315	314	309
45	300	301	303	302	296
50	281	282	285	286	278
55	258	260	264	266	259
60	231	232	229	237	225
65	147	148	146	156	150
70	65	65	68	74	74
75	37	37	39	42	41
80	19	20	21	23	22
85	5	6	7	8	6
90	0	0	0	0	0





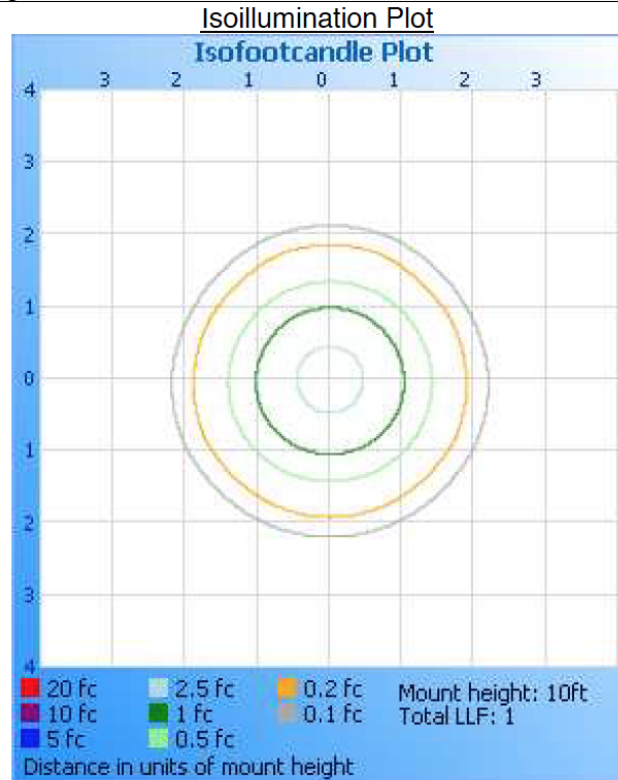
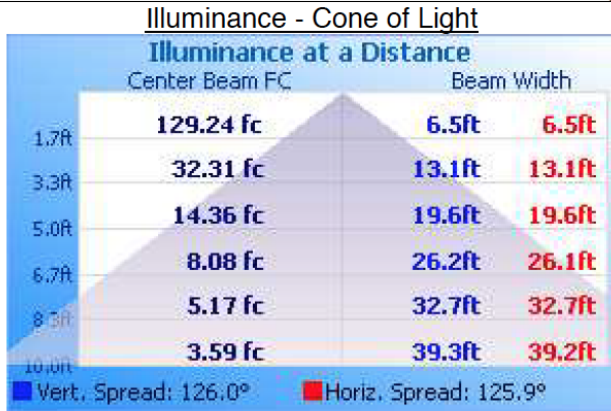
TECHNICAL DATA SHEET

Project Name Catalog #
 Comments Date

Eco-RLM Line - RDBS12 Deep Bowl Shade

Illumination Plots

Mounting Height: 10 ft.



Zonal Lumen Summary and Percentages at 25°C

Zone	Lumens	% Luminaire
RDBC12-WH		
0-30	285.7	25.4
0-40	483.5	42.9
0-60	933.5	82.9
60-90	193.0	17.1
0-90	1127	100.0
90-180	0.0	0.0
0-180	1127	100.0