

LED Flood Light Instructions

CAUTION

1. Do not use an electric generator to test the LED light.
2. Please abide by related country, regional and local law and regulations when you install this fixture.
3. Please turn off the power before installation or maintenance.
4. Proper grounding is required to ensure safety.

NOTICE

1. To avoid possibility of electrical shock or fire, the installation personnel must have professional electric knowledge.
2. Please wear gloves to avoid injury before installation.
3. If any smoke or spark of the wire happens, please turn off the power immediately and notify relevant personnel.

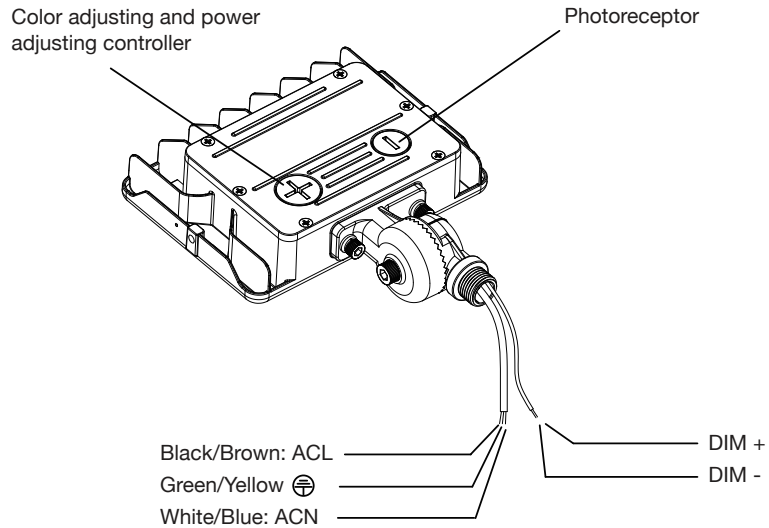
ATTENTION

1. Check if there is any damage during chipping. If so, please contact manufacturer.
2. Please read the installation instruction carefully to check weather all accessories are available. After confirmation, install the fixture according to installation steps.

INSTRUCTIONS

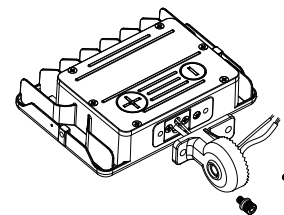
The installation of this LED light with different wattage is different. Please refer to the installation instruction.

WIRING DIAGRAM

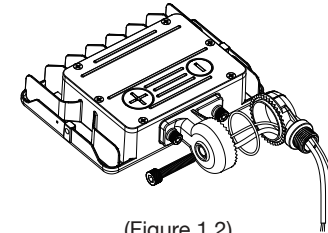


ADJUSTABLE FITTER MOUNTING (b=AM Suitable for all power of this series)

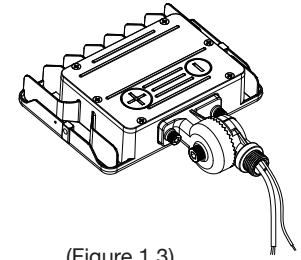
- Step 1: Take the lamp out of package
- Step 2: Pass the wires through hardware and fix it with screws (Figure 1.1)
- Step 3: Pass the wires through bracket, tighten with screws (Do not scratch wires) (Figure 1.2)
- Step 4: Mounting is complete (Figure 1.3)



(Figure 1.1)



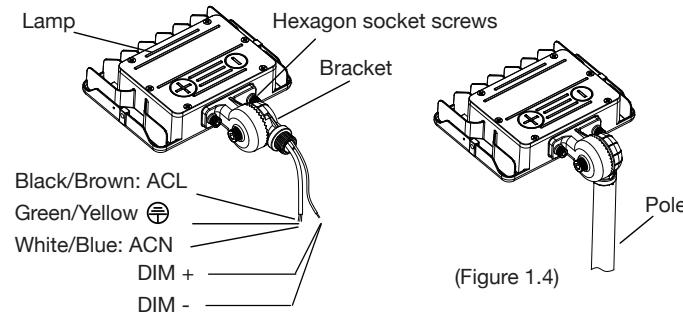
(Figure 1.2)



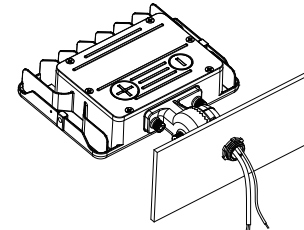
(Figure 1.3)

Installation of LED lamp with adjustable fitter (b=AM suitable for all power in this series)

- Step 1: Take the lamp out of package
 - Step 2: Connect the wires properly according to the right wiring requirements (Pay close attention to positive wire, negative wire and ground wire) then put the wires into lamp pole (Figure 1.4)
 - Step 3: Loosen the screws, adjust the lamp angles as per actual demands and then tighten the screws.
- Tips: Angles of the lamp are adjustable (pass the bracket through mounting surface, fix with screws, then connect the wires).



(Figure 1.4)



(Figure 1.5)

Installation with Yoke Mount

- Step 1: Take the lamp out of package
- Step 2: Pass the wires through hole of bracket (Figure 2.1)
- Step 3: Fix the lamp and bracket together with screws (Do not scratch the wires) (Figure 2.2)
- Step 4: Tighten the outer bracket with screws (Figure 2.3)

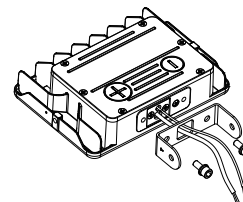


figure 2.1

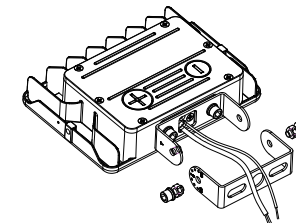


figure 2.2

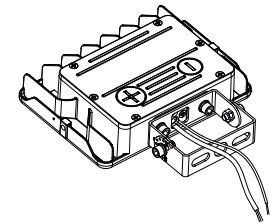


figure 2.3

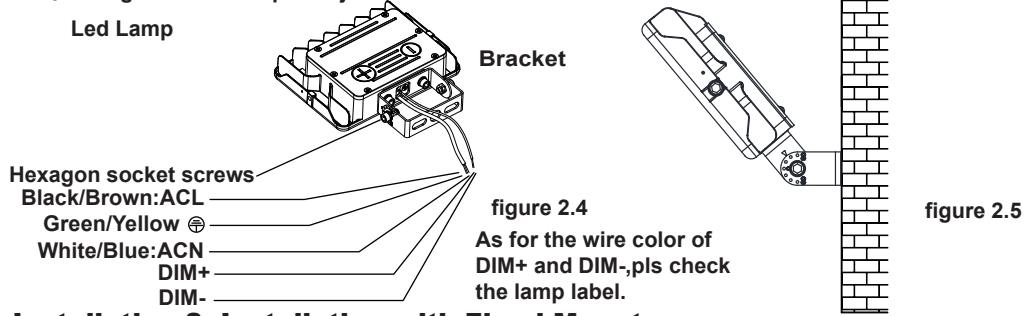
2.2 Installation of led lamp with Yoke Mount(b=YM suitable for all power of this series)

Step 1: Take the lamp out of package

Step 2: Connect the wires properly according to the right wiring requirements (pay attention to positive wire, negative wire, and ground wire), and then put the wires into lamp pole; (figure 2.4)

Step 3: Loosen the screws, adjust the lamp angles as per actual demands and then tighten the screws; (figure 2.5)

Tips: Angles of the lamp is adjustable



Warning/Avertissement

MIN 75 °C SUPPLY CONDUCTORS.

THIS PRODUCT MUST BE INSTALLED IN ACCORDANCE WITH THE APPLICABLE INSTALLATION CODE BY A PERSON FAMILIAR WITH THE CONSTRUCTION AND OPERATION OF THE PRODUCT AND THE HAZARDS INVOLVED

LES FILS D'ALIMENTATION 75 °C MIN.

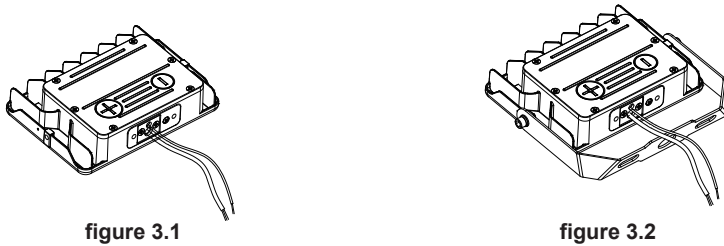
CCE PRODUIT DOIT ÊTRE INSTALLÉ SELON LE CODE D'INSTALLATION PERTINENT, PAR UNE PERSONNE QUI CONNAÎT BIEN LE PRODUIT ET SON FONCTIONNEMENT AINSI QUE LES RISQUES INHÉRENTS

Installation 3: Installation with Flood Mount

3.1 Flood Mount Installation (b=FM suitable for all power of this series)

Step 1: Take the lamp out of package;(figure 3.1)

Step 2:Tighten the brackets and screws. (figure 3.2)



3.2 Installation of led lamp with flood mount(b=FM suitable for all power of this series)

Step 1: Take the lamp out of package;

Step 2: Connect the wires properly according to the right wiring requirements (pay attention to positive wire, negative wire, and ground wire), and then put the wires into lamp pole;(figure 3.3)

Step 3: Loosen the screws, adjust the lamp angles as per actual demands and then tighten the screws; (figure 3.4)

Tips: Angles of the lamp is adjustable

