



US010684714B2

(12) **United States Patent**  
**Seo et al.**

(10) **Patent No.:** **US 10,684,714 B2**  
(45) **Date of Patent:** **Jun. 16, 2020**

(54) **FLEXIBLE DISPLAY DEVICE**  
(71) Applicant: **SAMSUNG DISPLAY CO., LTD.**,  
Yongin-si, Gyeonggi-do (KR)  
(72) Inventors: **Tae-an Seo**, Hwaseong-si (KR); **Sunho Kim**,  
Seongnam-si (KR); **Youngseok Seo**, Seoul (KR); **Junghun Lee**,  
Hwaseong-si (KR); **Jinhwan Choi**,  
Seoul (KR)  
(73) Assignee: **SAMSUNG DISPLAY CO., LTD.**,  
Yongin-si, Gyeonggi-Do (KR)  
(\* ) Notice: Subject to any disclaimer, the term of this  
patent is extended or adjusted under 35  
U.S.C. 154(b) by 91 days.

(58) **Field of Classification Search**  
None  
See application file for complete search history.

(56) **References Cited**  
U.S. PATENT DOCUMENTS  
2005/0176470 A1\* 8/2005 Yamakawa ..... G09G 3/001  
455/566  
2010/0033435 A1\* 2/2010 Huitema ..... G06F 1/1615  
345/173

(Continued)

**FOREIGN PATENT DOCUMENTS**

KR 10-2010-0103095 9/2010  
KR 10-2012-0015890 2/2012

(Continued)

*Primary Examiner* — Kent W Chang  
*Assistant Examiner* — Benjamin Morales  
(74) *Attorney, Agent, or Firm* — F. Chau & Associates,  
LLC

(21) Appl. No.: **15/690,814**  
(22) Filed: **Aug. 30, 2017**  
(65) **Prior Publication Data**  
US 2018/0081473 A1 Mar. 22, 2018

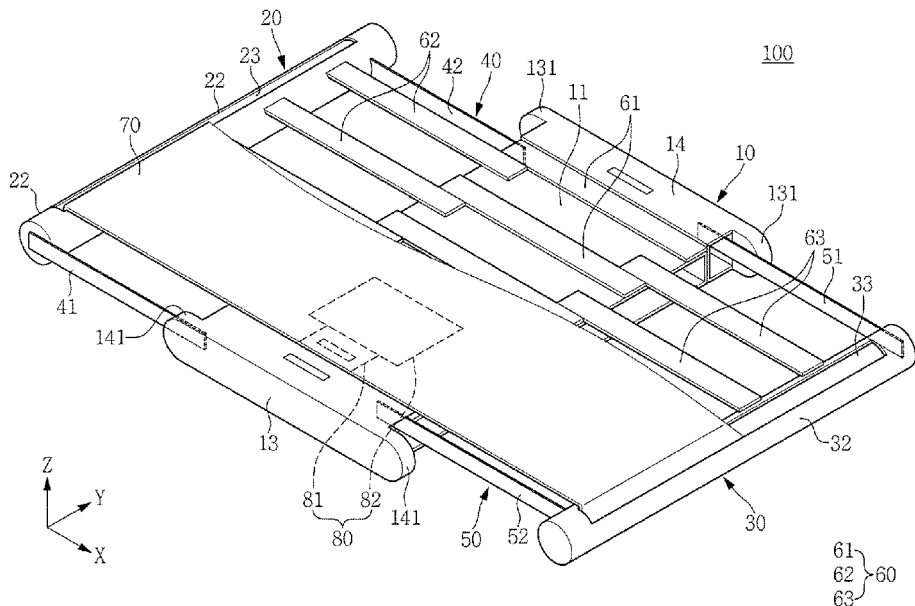
(30) **Foreign Application Priority Data**  
Sep. 20, 2016 (KR) ..... 10-2016-0120127

(51) **Int. Cl.**  
**G06F 3/041** (2006.01)  
**G06F 3/044** (2006.01)  
(Continued)

(52) **U.S. Cl.**  
CPC ..... **G06F 3/0412** (2013.01); **G06F 3/044**  
(2013.01); **G06F 3/0416** (2013.01); **H05K**  
**5/0017** (2013.01); **H05K 5/0217** (2013.01);  
**G06F 2203/04102** (2013.01); **H01L 27/323**  
(2013.01); **H01L 27/3227** (2013.01); **H01L**  
**51/5237** (2013.01); **H01L 2251/5338** (2013.01)

(57) **ABSTRACT**  
A display device including a touch display panel, a roller housing, a touch bar, and a panel driver. The touch display panel includes a plurality of pixels and a plurality of touch sensing elements. At least a portion of the touch display panel is rolled around a roller. The roller housing is configured to receive the roller and has an opening configured to receive the touch display panel. The touch bar is disposed between the roller housing and the touch display panel and contacts the touch display panel. The panel driver divides a display portion of the touch display panel into a display area and a non-display area according to positions of touch sensing elements contacting the touch bar. The panel driver deactivates at least a portion of the non-display area.

**19 Claims, 20 Drawing Sheets**



- (51) **Int. Cl.**  
*H05K 5/00* (2006.01)  
*H05K 5/02* (2006.01)  
*H01L 27/32* (2006.01)  
*H01L 51/52* (2006.01)

(56) **References Cited**

U.S. PATENT DOCUMENTS

2012/0038613 A1 2/2012 Choi  
2014/0247252 A1 9/2014 Lee  
2014/0292672 A1\* 10/2014 Choi ..... G06F 3/041  
345/173  
2016/0187929 A1 6/2016 Kim et al.  
2017/0168638 A1\* 6/2017 Shi ..... G06F 3/147  
2018/0217679 A1\* 8/2018 Kwon ..... G06F 3/04883  
2018/0284964 A1\* 10/2018 Kang ..... G06F 3/0488

FOREIGN PATENT DOCUMENTS

KR 10-2014-0108971 9/2014  
KR 10-1570869 11/2015

\* cited by examiner



FIG. 2

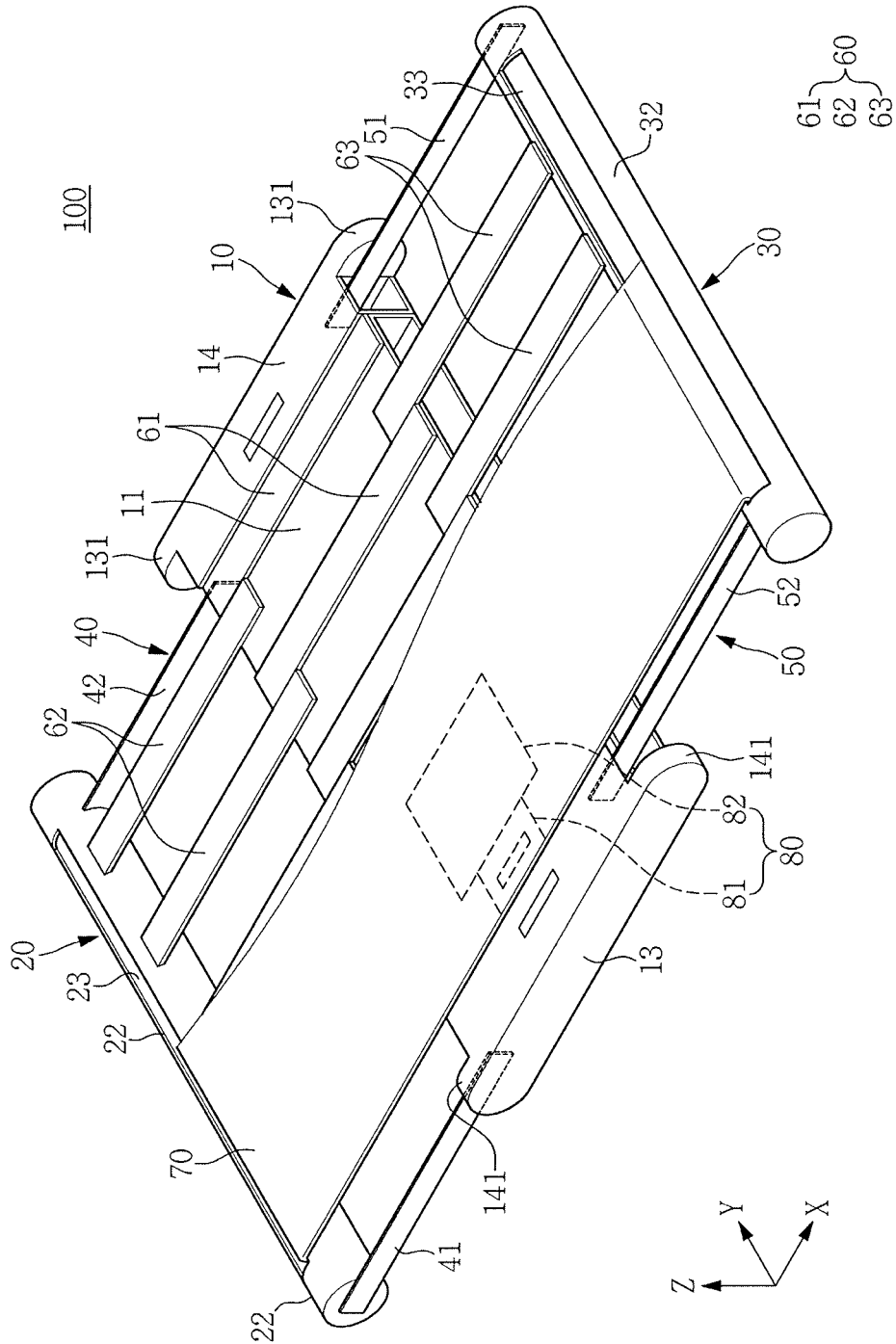


FIG. 3

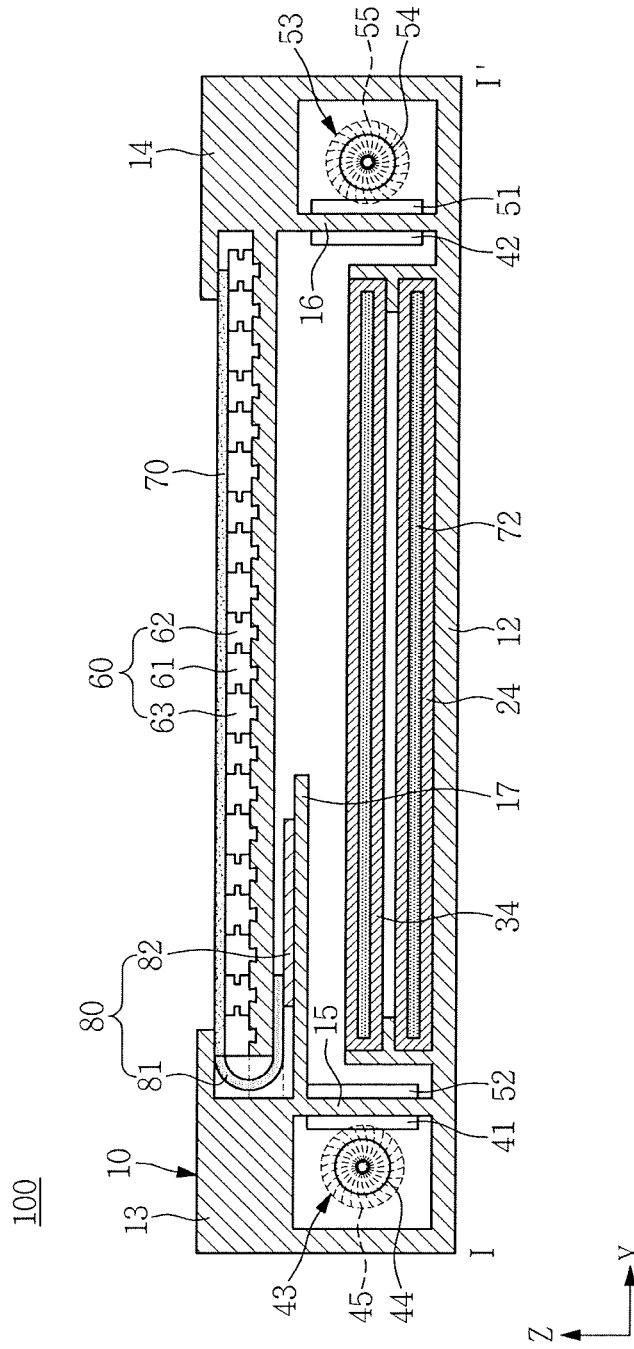


FIG. 4

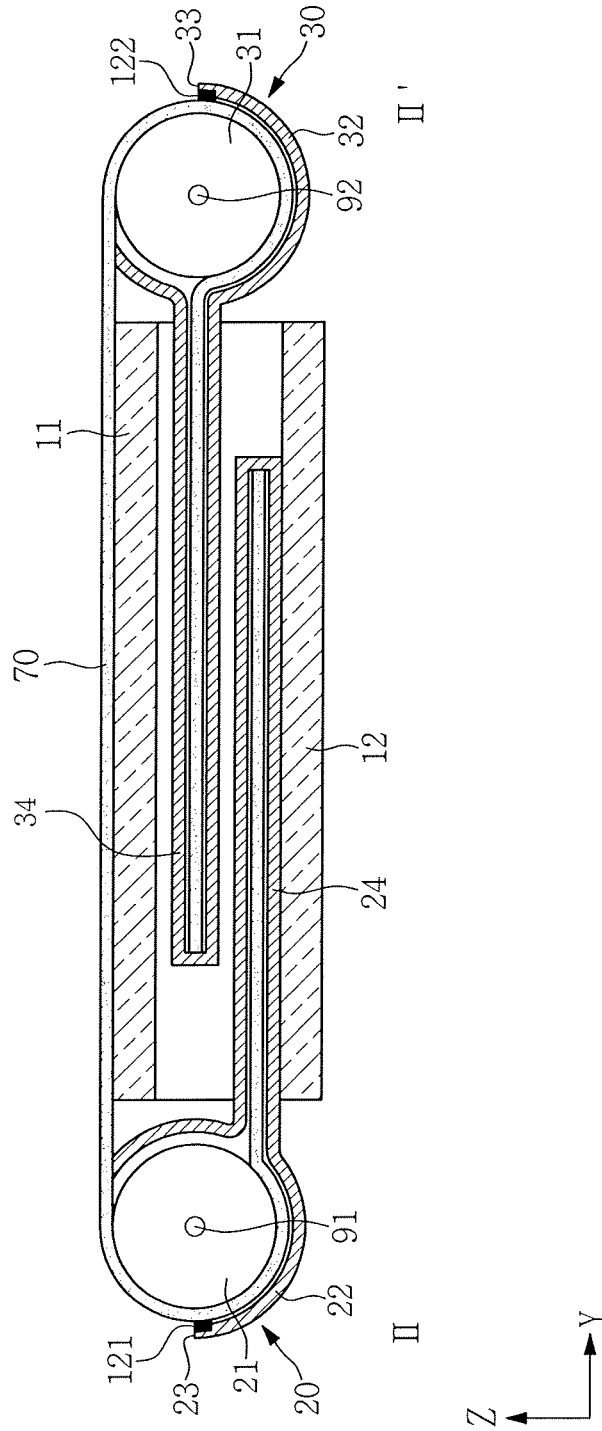


FIG. 5

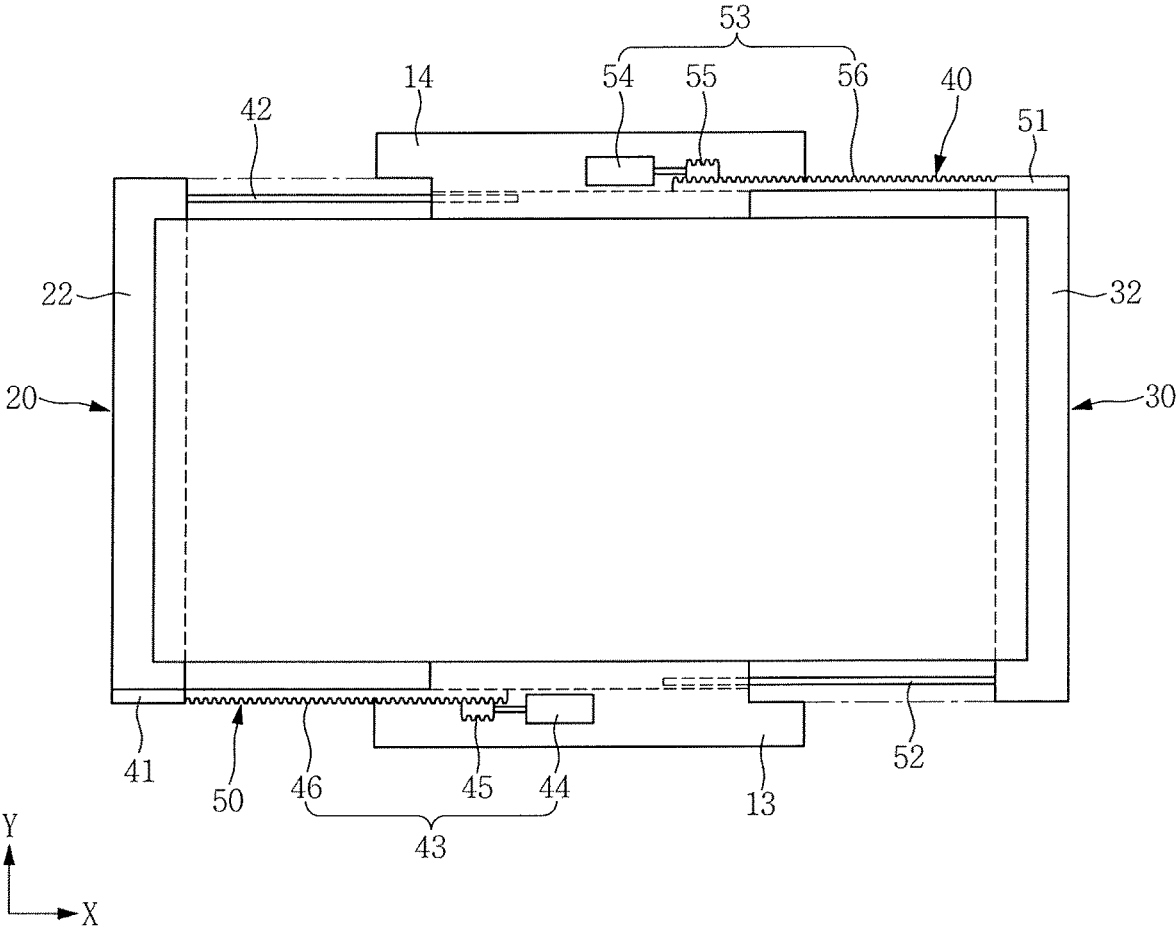


FIG. 6

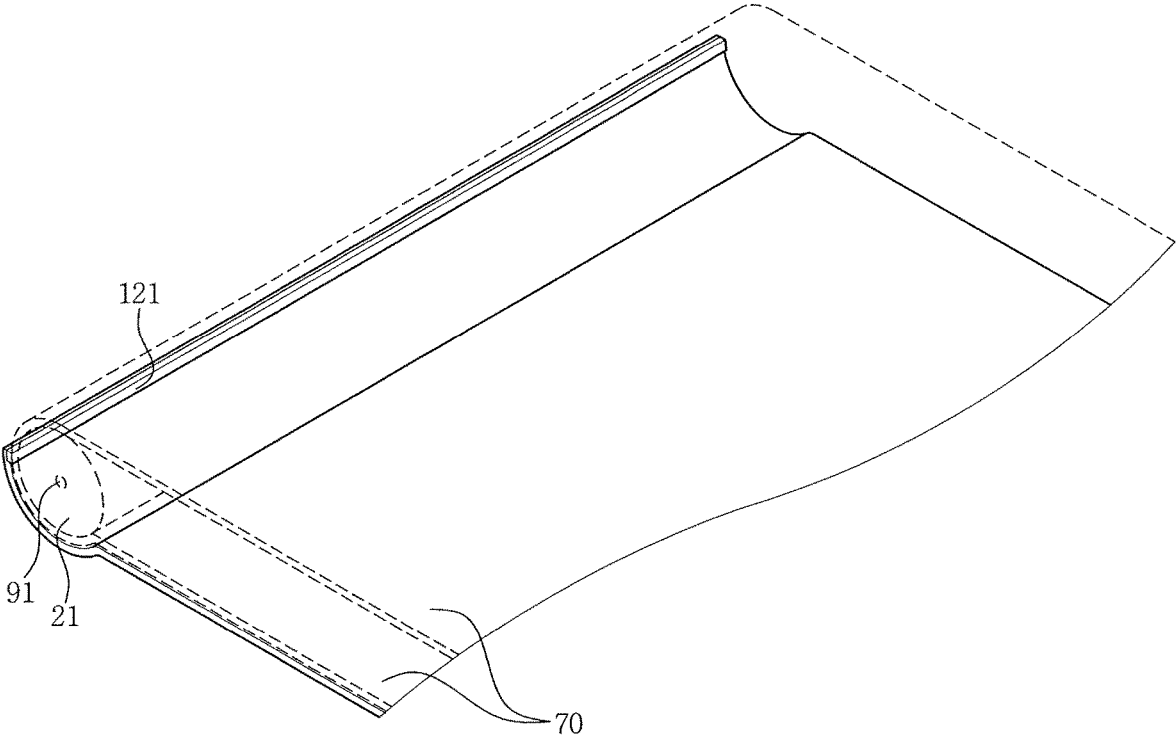




FIG. 7

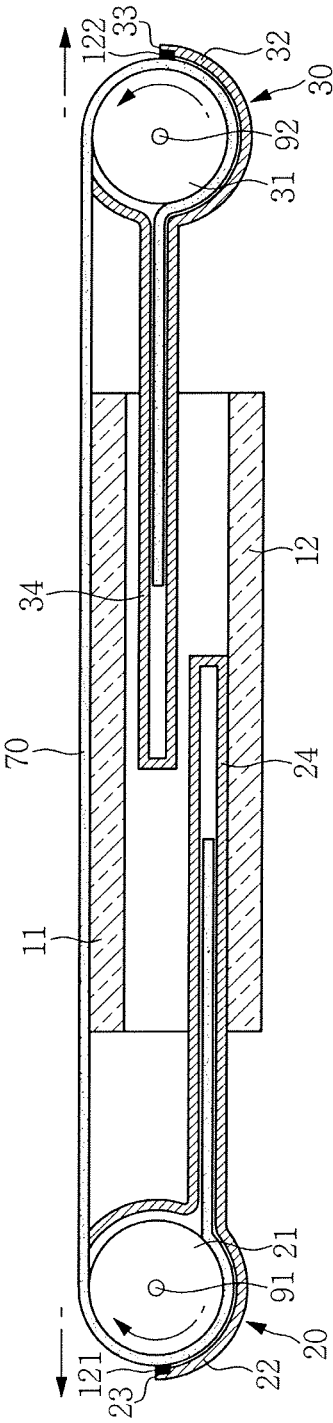


FIG. 8

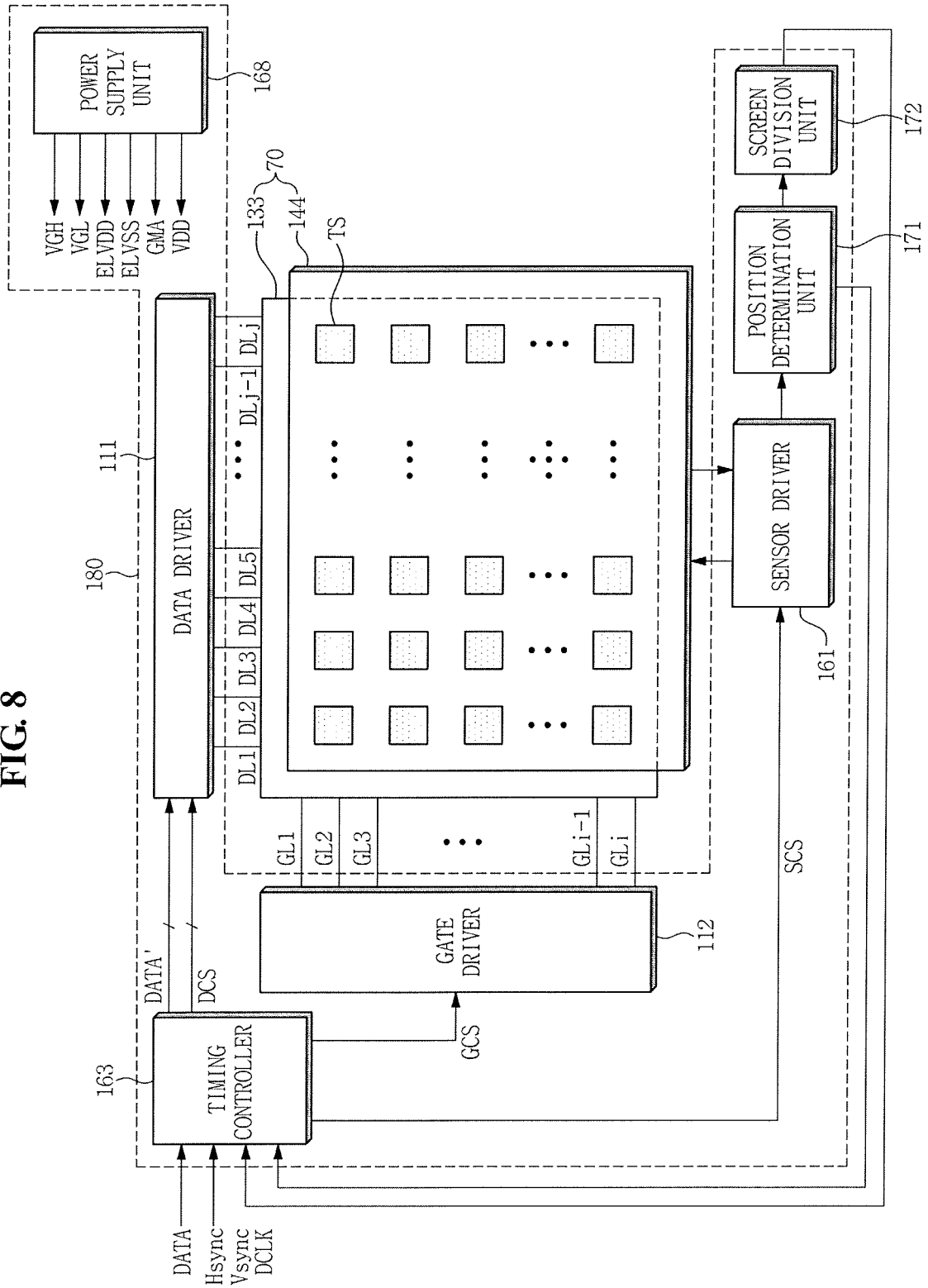


FIG. 9

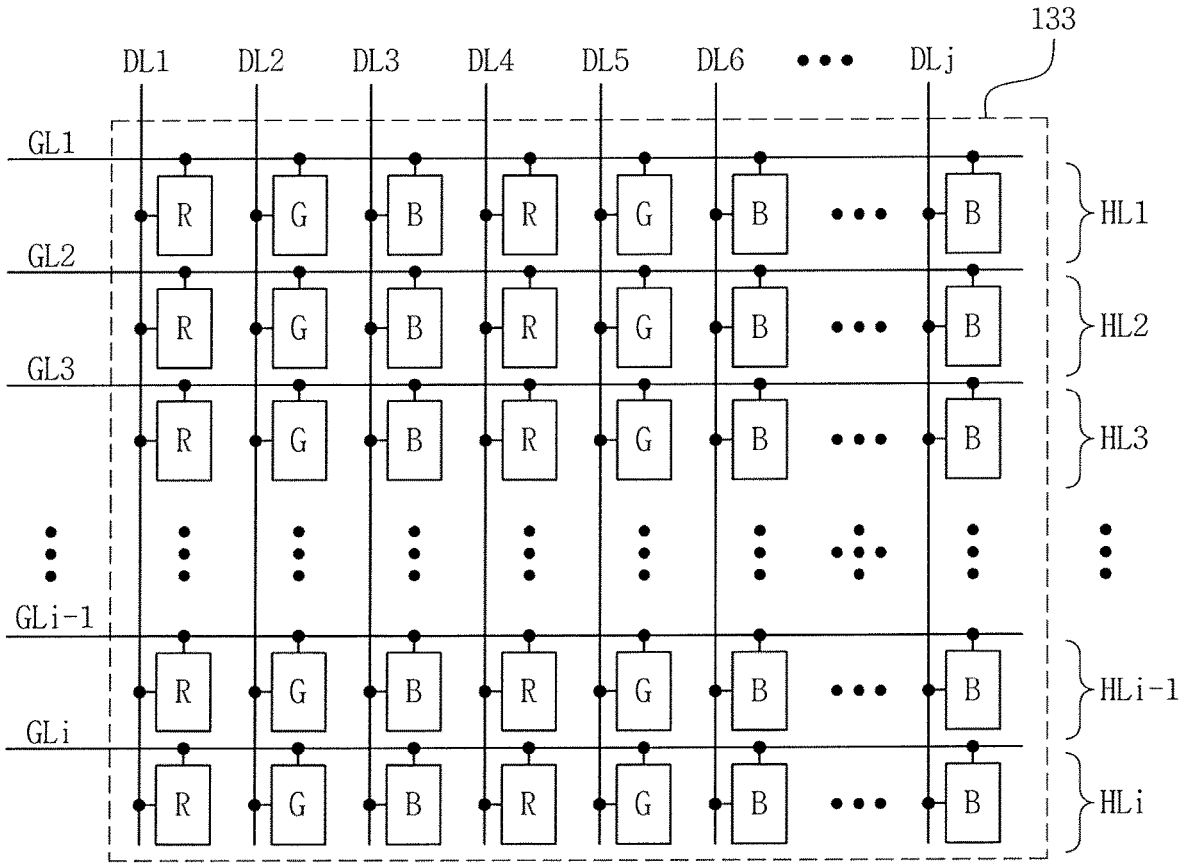


FIG. 10

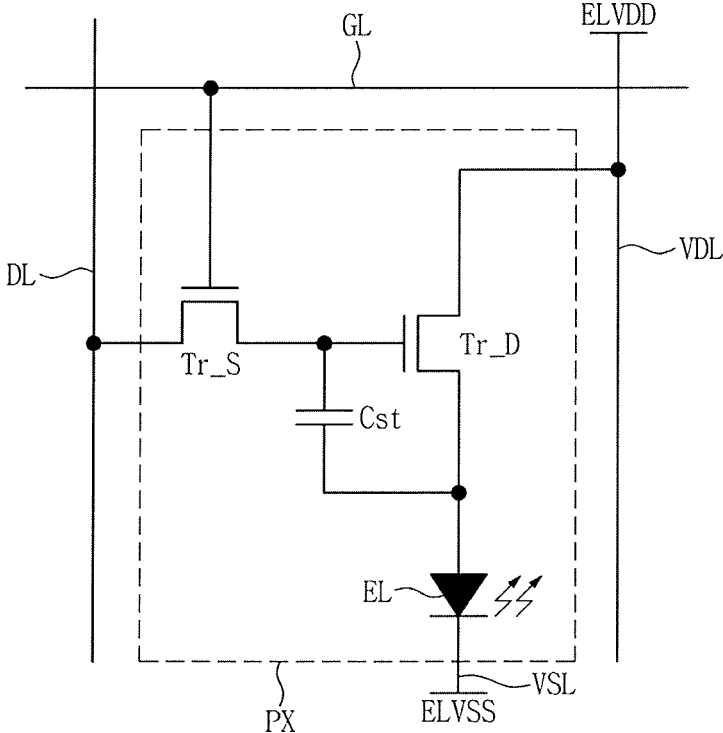


FIG. 11

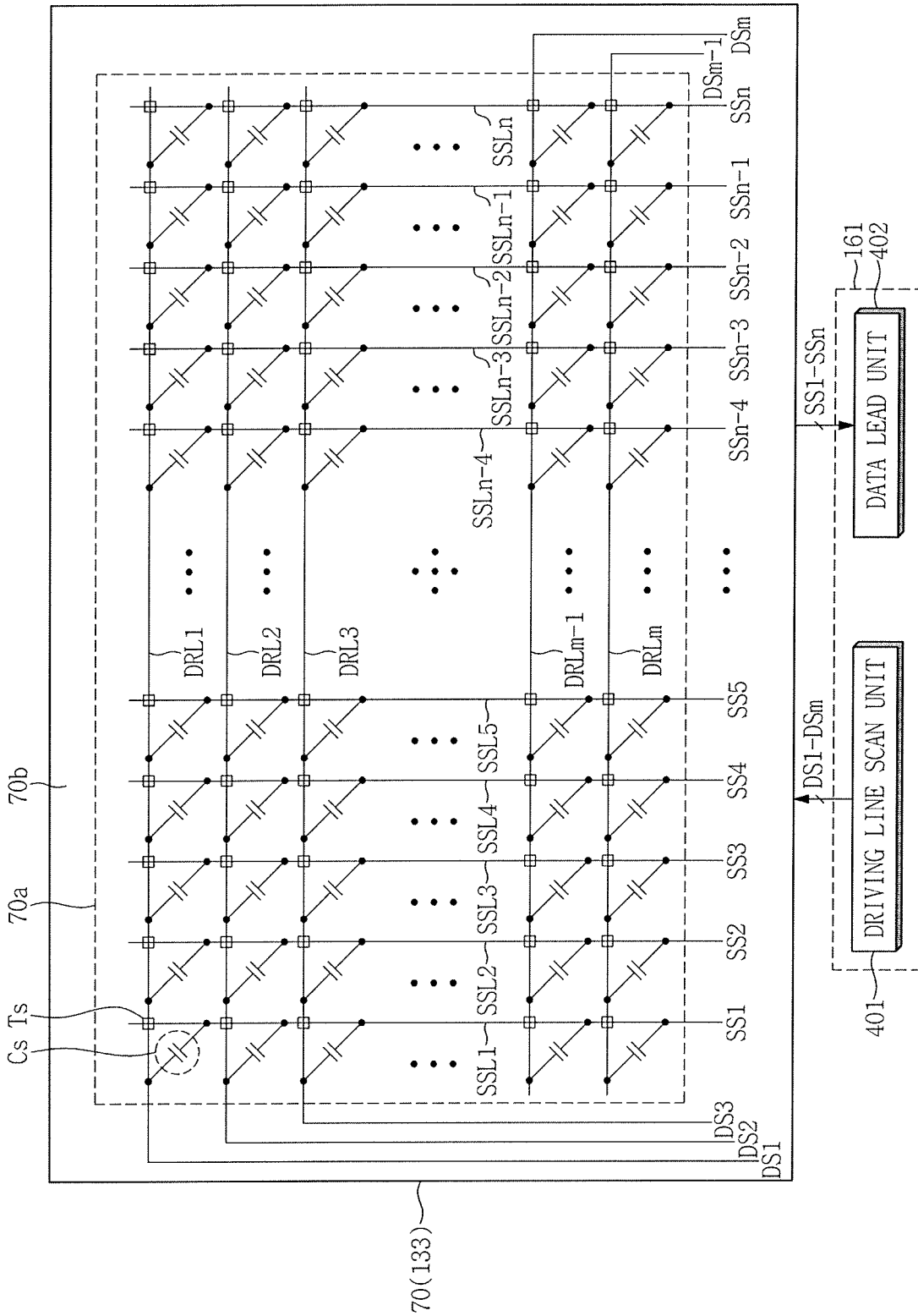


FIG. 12A

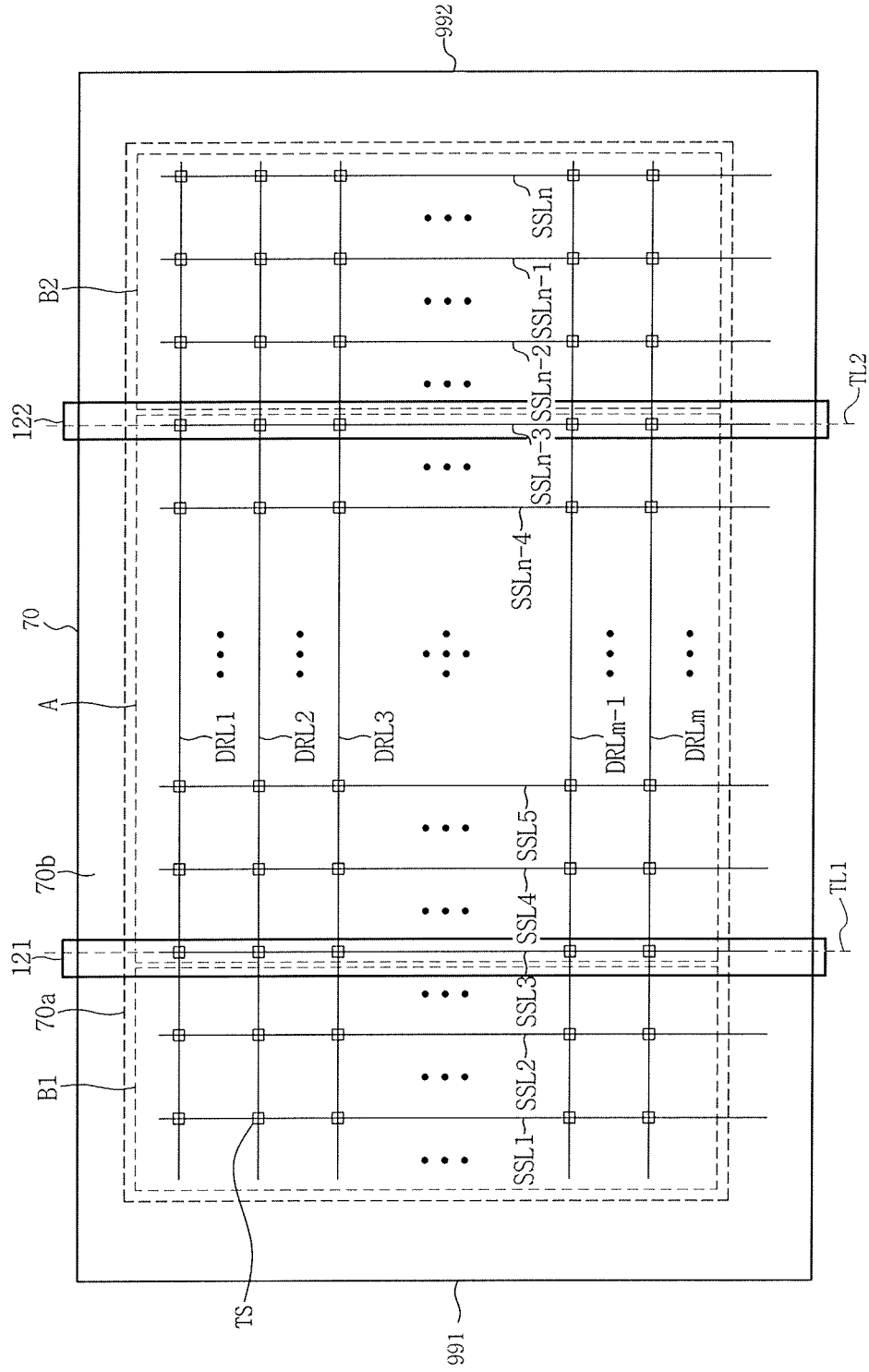


FIG. 12B

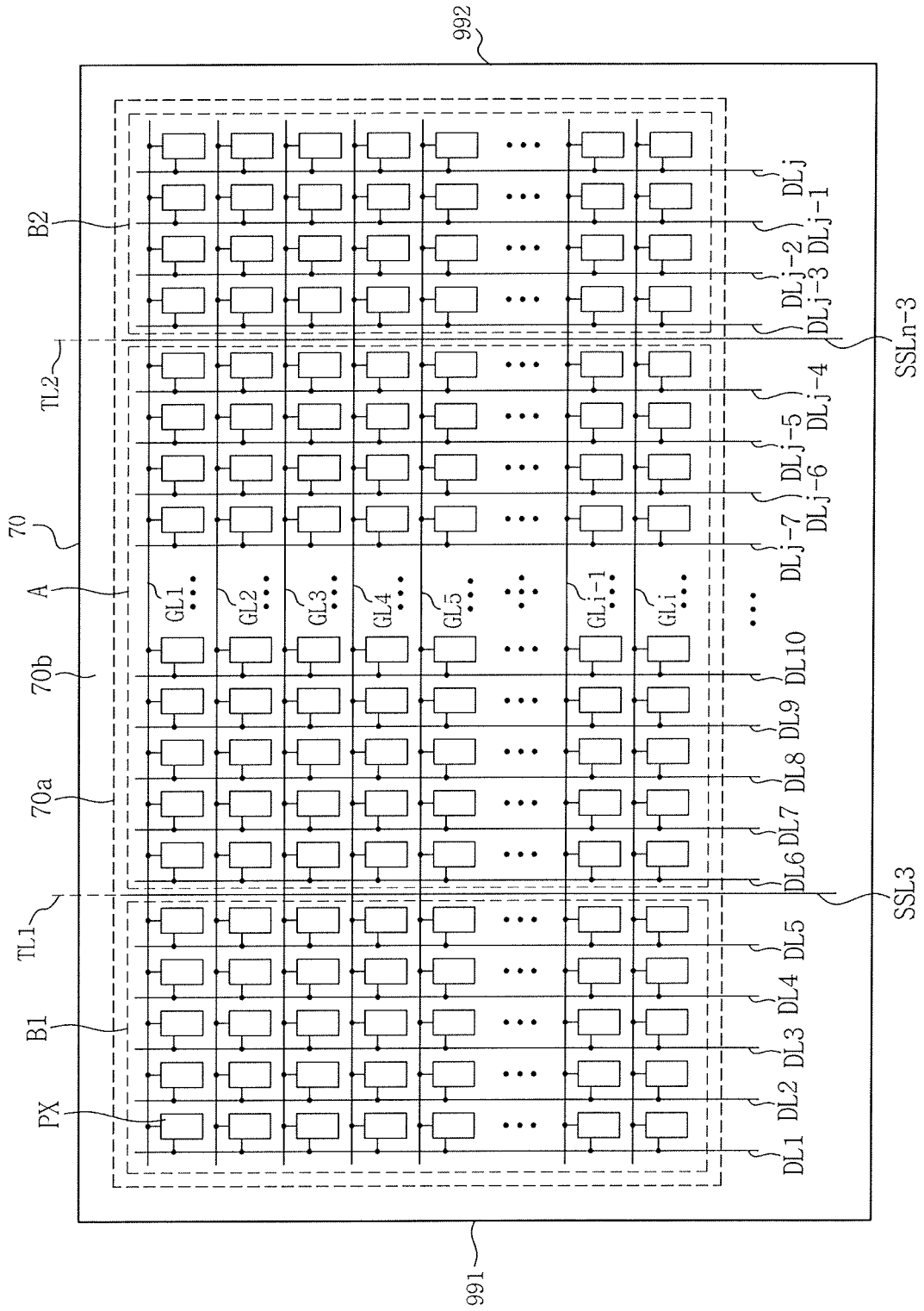


FIG. 13

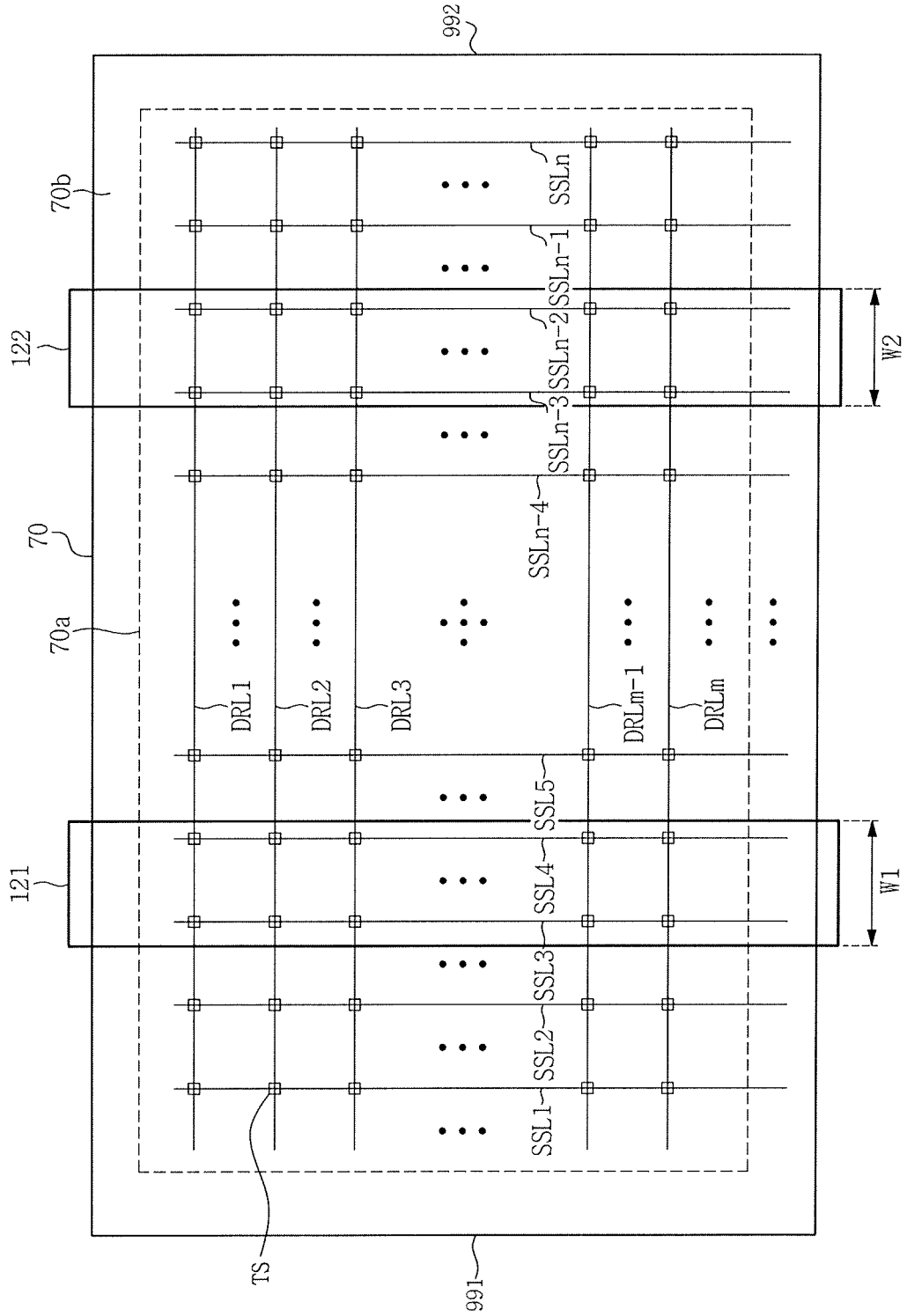




FIG. 14

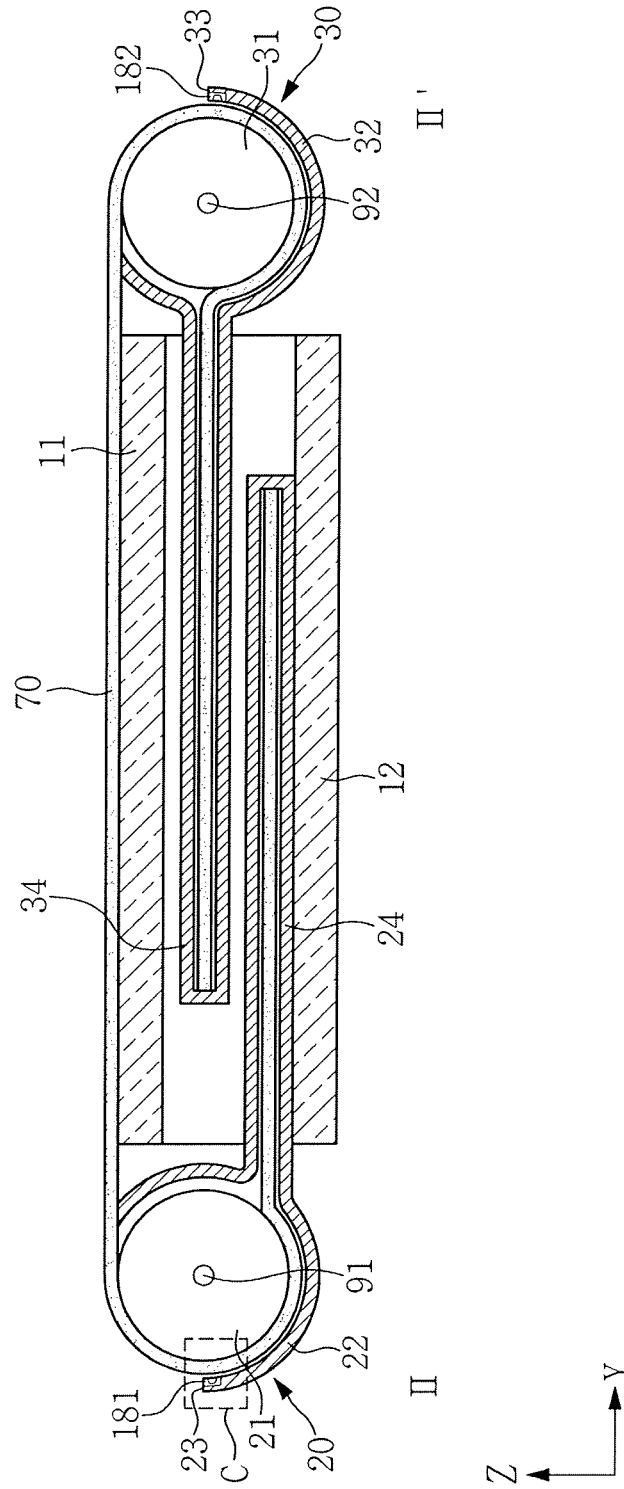


FIG. 15

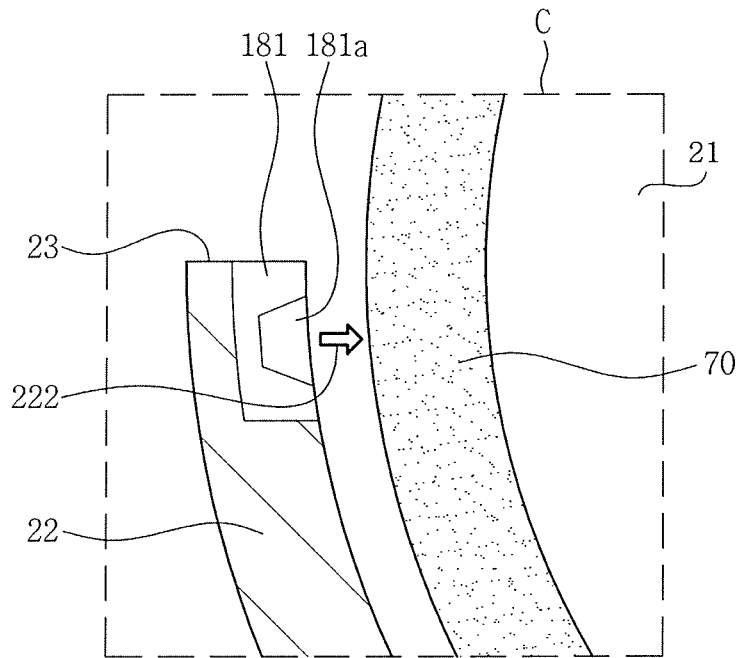


FIG. 16

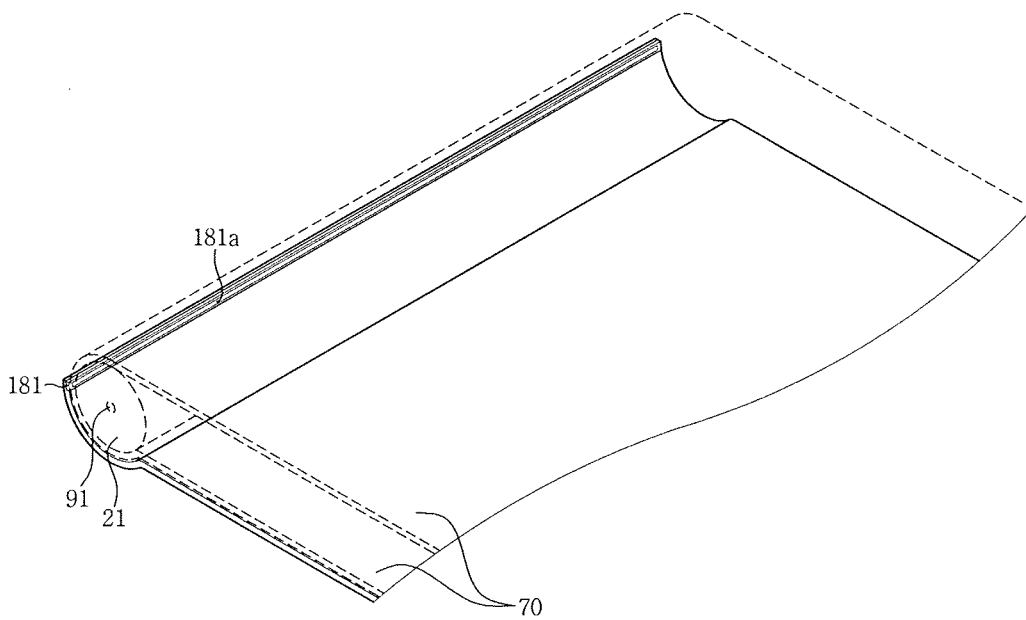


FIG. 17

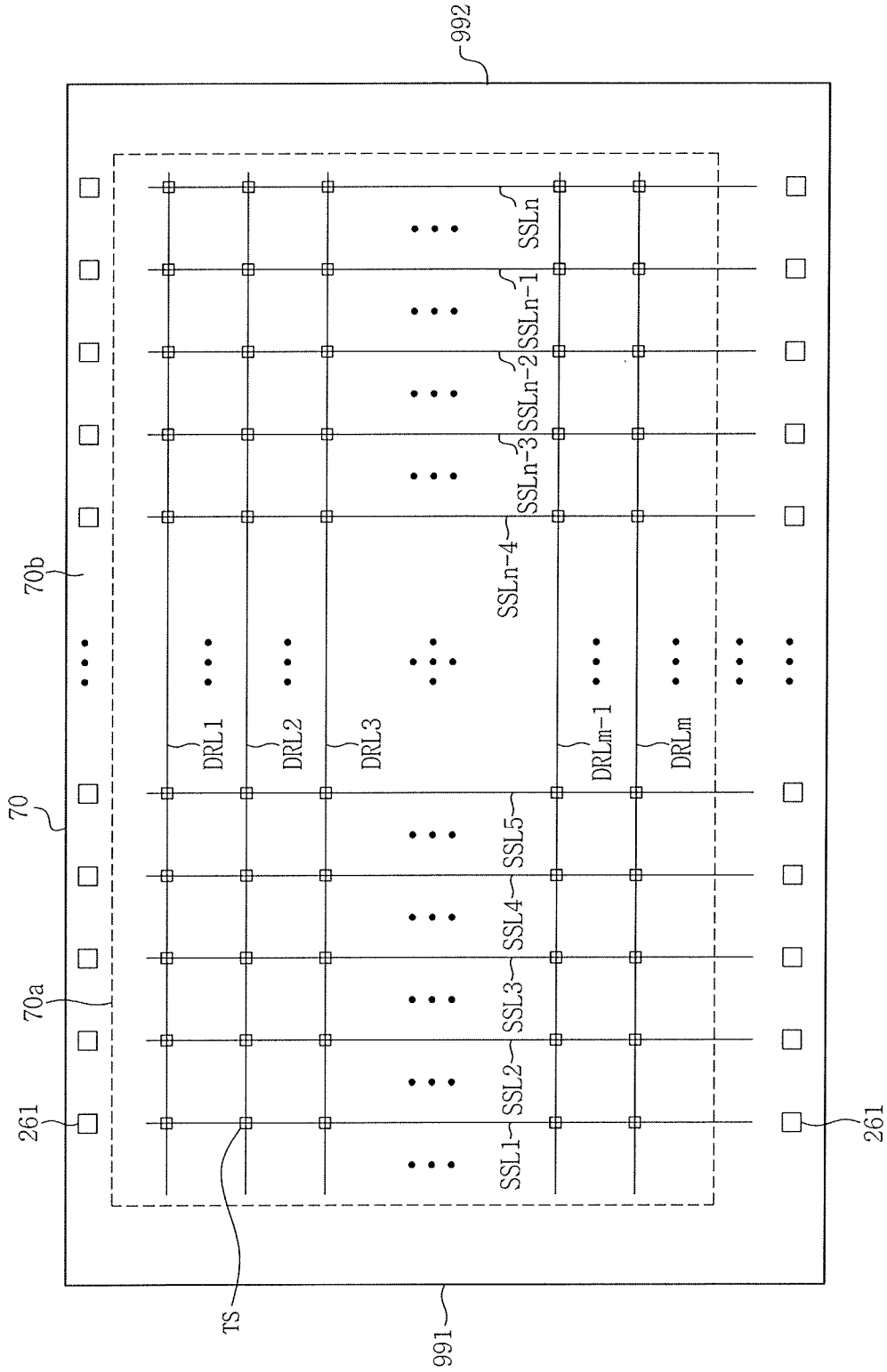


FIG. 18

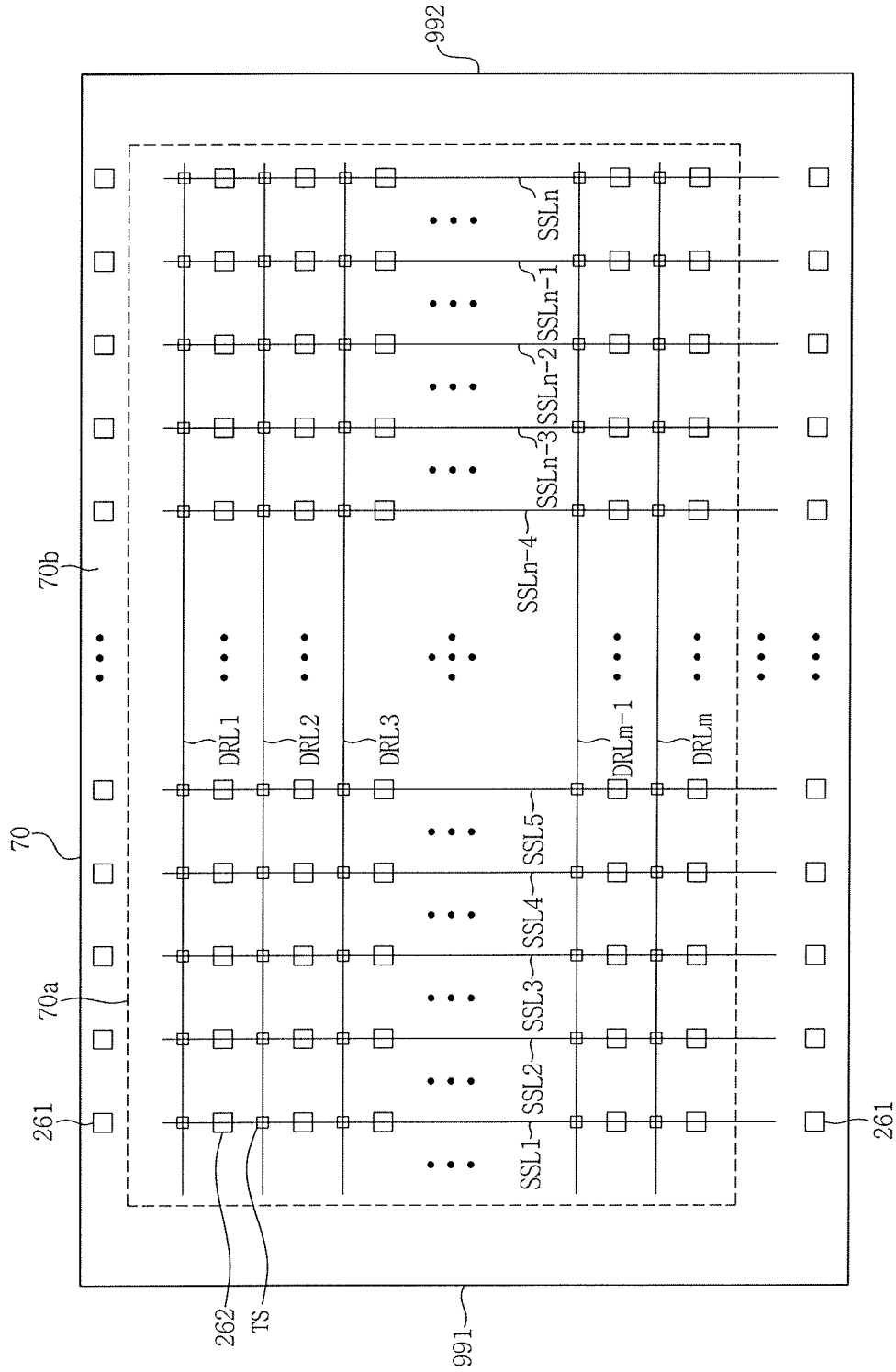


FIG. 19

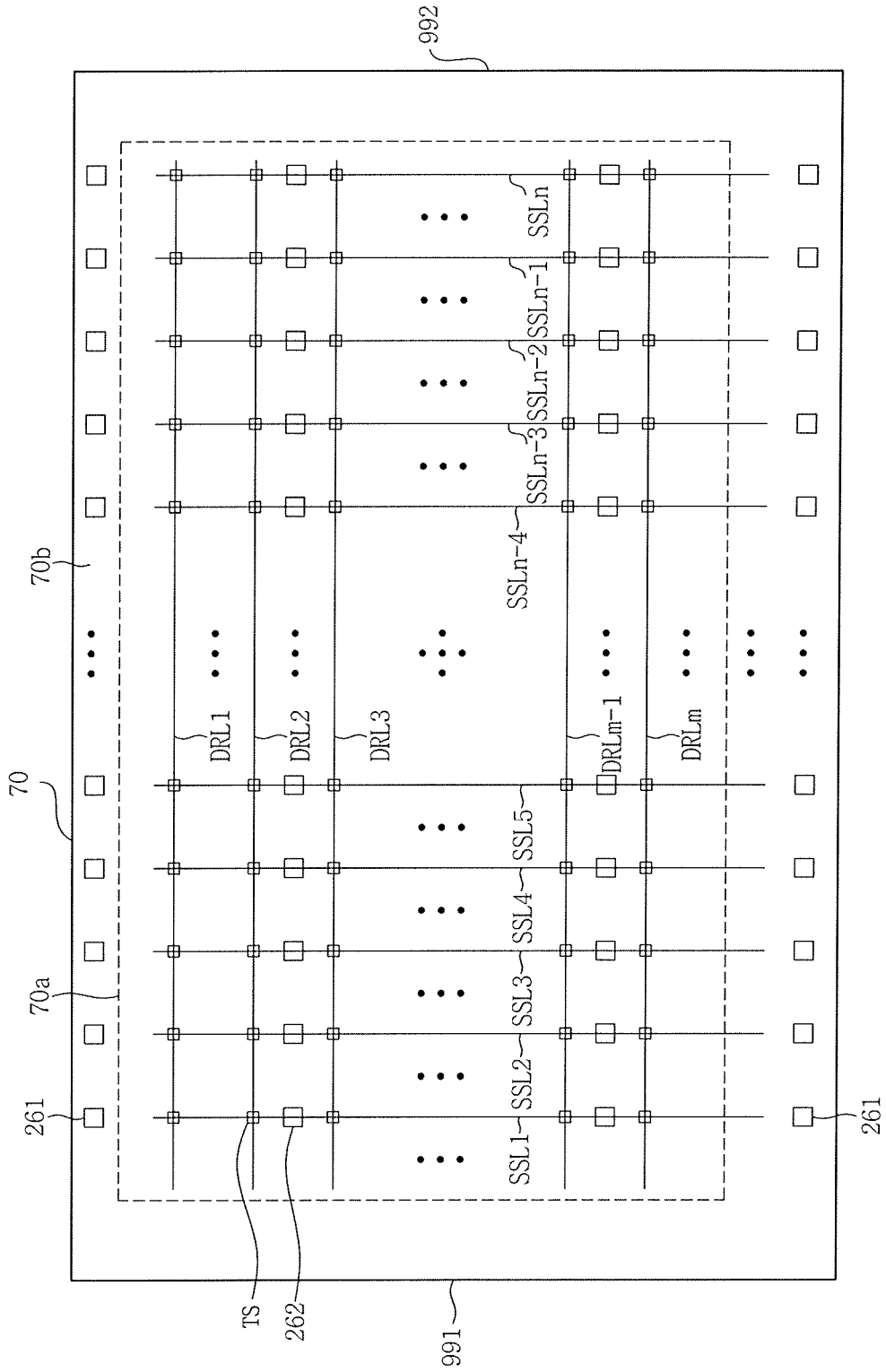
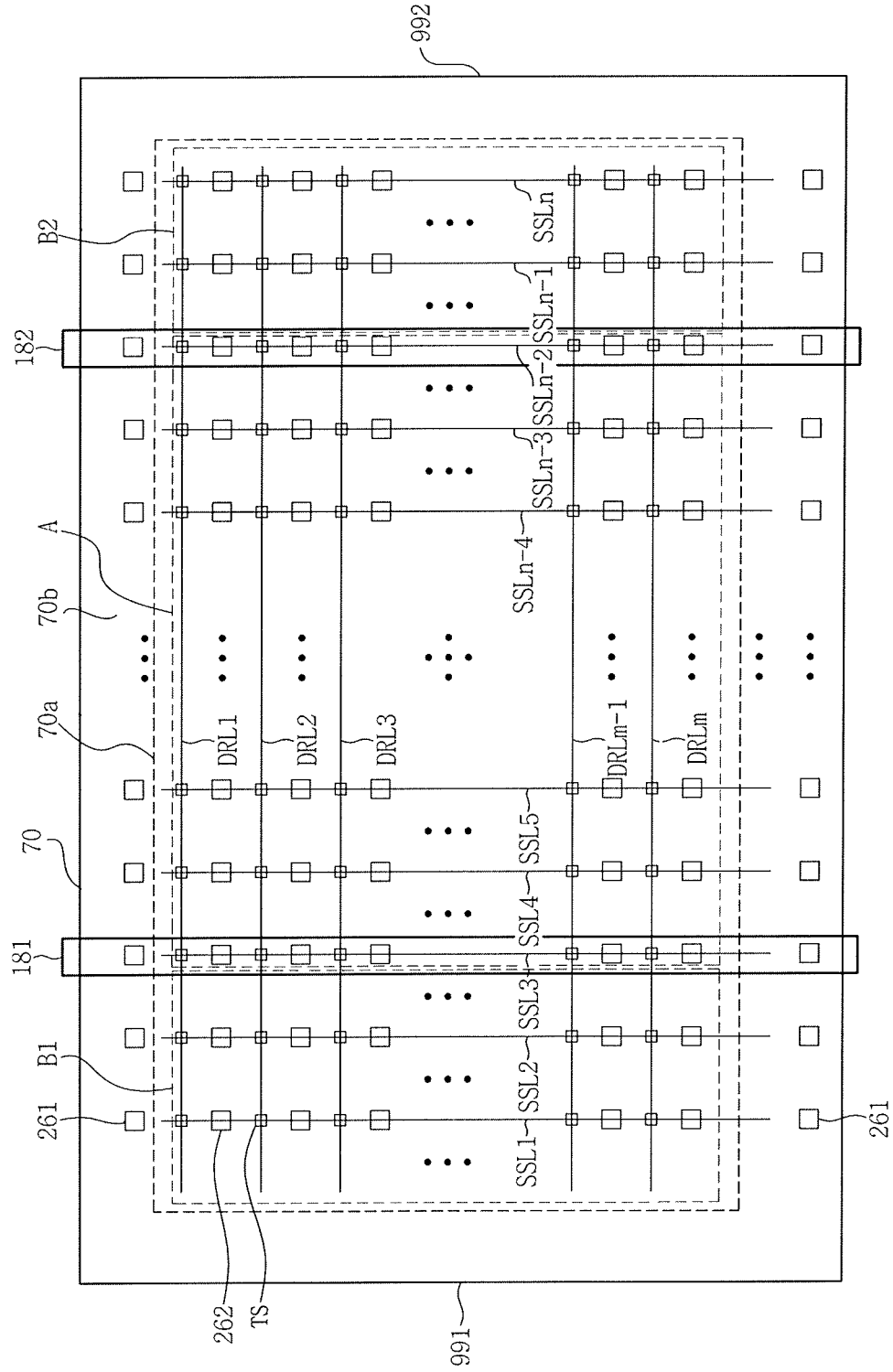


FIG. 20



**FLEXIBLE DISPLAY DEVICE****CROSS-REFERENCE TO RELATED APPLICATION**

This application claims priority under 35 U.S.C. § 119 to Korean Patent Application No. 10-2016-0120127, filed on Sep. 20, 2016 in the Korean Intellectual Property Office (KIPO), the disclosure of which is incorporated by reference herein in its entirety.

**TECHNICAL FIELD**

Exemplary embodiments of the present invention relate to a display device, and more particularly to a flexible display device.

**DISCUSSION OF RELATED ART**

Flexible display devices are display devices that may be bent or folded. Display devices may include a glass substrate. However, flexible display devices may include a plastic film that may be bent. Flexible display devices may be relatively thin and relatively light-weight. Flexible display devices may also be substantially resistant to impact. Flexible display devices may also be bent or folded. As a result, flexible display devices may be manufactured to have various shapes.

**SUMMARY**

Exemplary embodiments of the present invention provide a display device, and more particularly, a flexible display device. The flexible display device may have a reduced power consumption and minimized touch errors.

One or more exemplary embodiments of the present invention provide a flexible display device. The flexible display device includes a touch display panel, a roller housing, a touch bar, and a panel driver. The touch display panel includes a plurality of pixels and a plurality of touch sensing elements. A portion of the touch display panel is rolled around a roller. The roller housing is configured to receive the roller. The roller housing has an opening configured to receive the touch display panel. The touch bar is disposed between the roller housing and the touch display panel. The touch bar contacts the touch display panel. The panel driver divides a display portion of the touch display panel into a display area and a non-display area according to positions of touch sensing elements contacting the touch bar. The panel driver deactivates at least a portion of the non-display area.

The touch bar may be disposed adjacent to the opening.

The touch bar may be disposed between the roller housing and the touch display panel. The touch bar may be substantially parallel to a central axis of the roller.

The touch sensing elements may be arranged in columns. The columns may be substantially parallel to a central axis of the roller. The touch bar may selectively contact touch sensing elements in at least one column.

The panel driver may define an area of the display portion between the touch sensing elements contacting the touch bar and a first end of the touch display panel disposed inside the roller housing as the non-display area.

The panel driver may detect a touch line according to the positions of the touch sensing elements contacting the touch bar. The panel driver may define an area of the display

portion between the touch line and the first end of the touch display panel disposed inside the roller housing as the non-display area.

When a touch line detected for a predetermined time moves toward a second end of the touch display panel, the panel driver may define an area between the detected touch line and the first end of the touch display panel as the non-display area.

The panel driver may deactivate at least one pixel in the non-display area.

The panel driver may turn off or turn off light emission in at least one pixel in the non-display area.

The panel driver may deactivate at least one touch sensing element in the non-display area.

The panel driver may turn off at least one touch sensing element in the non-display area.

The panel driver may not display an image on at least a portion of the non-display area.

One or more exemplary embodiments of the present invention provide a display device. The display device includes a display panel, a roller housing, a light source unit, and a panel driver. The display panel includes a plurality of pixels and a plurality of light sensing elements. A portion of the display panel is rolled around a roller. The roller housing is configured to receive the roller. The roller housing has an opening configured to receive the display panel. The light source unit is disposed between the roller housing and the display panel. The light source unit irradiates a light toward the display panel. The panel driver divides a display portion of the display panel into a display area and a non-display area according to positions of light sensing elements irradiated with the light from the light source unit. The panel driver deactivates at least a portion of the non-display area.

The light source unit may be disposed adjacent to the opening.

The light source unit may be disposed between the roller housing and the display panel. The light source unit may be substantially parallel to a central axis of the roller.

The light sensing elements may be arranged in columns substantially parallel to a central axis of the roller. The light irradiates from the light source unit may be selectively irradiated to light sensing elements in at least one column.

The light source unit may have a slit through which the light is emitted.

The panel driver may define an area of the display portion between the light sensing elements irradiated with the light from the light source unit and an end of the display panel inside the roller housing as the non-display area.

The panel driver may detect a touch line according to the positions of the light sensing elements irradiated with the light from the light source unit. The panel driver may define an area of the display portion between the touch line and the end of the touch display panel inside the roller housing as the non-display area.

The light irradiated from the light source unit may be an ultraviolet light.

One or more exemplary embodiments of the present invention provide a display device comprising: a touch display panel comprising a plurality of pixels and a plurality of touch sensing elements, wherein at least a portion of the touch display panel is rolled around each of a first roller and a second roller; a first roller housing configured to receive the first roller and having a first opening configured to receive the touch display panel; a second roller housing configured to receive the second roller and having a second opening configured to receive the touch display panel; a first touch bar disposed between the first roller housing and the

3

touch display panel, the first touch bar contacting the touch display panel; a second touch bar disposed between the first roller housing and the touch display panel, the second touch bar contacting the touch display panel; and a panel driver dividing a display portion of the touch display panel into a display area and a non-display area according to positions of touch sensing elements contacting each of the first touch bar and the second touch bar, wherein the panel driver deactivates at least a portion of the non-display area.

The first touch bar is disposed adjacent to the first opening, and the second touch bar is disposed adjacent to the second opening.

The first touch bar is disposed between the first roller housing and the touch display panel, the first touch bar being substantially parallel to a central axis of the first roller, and the second touch bar is disposed between the second roller housing and the touch display panel, the second touch bar being substantially parallel to a central axis of the second roller.

The panel driver deactivates at least one pixel or at least one touch sensing element in the non-display area.

The panel driver deactivates at least one pixel, and the panel driver turns off or turns off light emission in the at least one pixel in the non-display area.

#### BRIEF DESCRIPTION OF THE DRAWINGS

The above and other features of the present invention will become more apparent by describing in detail exemplary embodiments thereof, with reference to the accompanying drawings, in which:

FIG. 1 is a perspective view illustrating a flexible display device according to an exemplary embodiment of the present invention;

FIG. 2 is a perspective view illustrating an expanded structure of a flexible display device of FIG. 1 according to an exemplary embodiment of the present invention;

FIG. 3 is a cross-sectional view taken along a line I-I' of FIG. 1 according to an exemplary embodiment of the present invention;

FIG. 4 is a cross-sectional view taken along a line II-II' of FIG. 1 according to an exemplary embodiment of the present invention;

FIG. 5 is a plan view illustrating an expanded structure of a flexible display device of FIG. 2 according to an exemplary embodiment of the present invention;

FIG. 6 is a configuration view illustrating a first touch bar of FIG. 4 according to an exemplary embodiment of the present invention;

FIG. 7 is a cross-sectional view illustrating an expanded structure of a flexible display device of FIG. 2 according to an exemplary embodiment of the present invention;

FIG. 8 is a configuration view illustrating a touch display panel and a panel driver of FIG. 1 according to an exemplary embodiment of the present invention;

FIG. 9 is a configuration view illustrating a display panel of FIG. 8 according to an exemplary embodiment of the present invention;

FIG. 10 is a circuit diagram illustrating a pixel of FIG. 9 according to an exemplary embodiment of the present invention;

FIG. 11 is a configuration view illustrating a touch panel and a sensor driver of FIG. 8 according to an exemplary embodiment of the present invention;

4

FIGS. 12A and 12B are views illustrating a method of driving a flexible display device including a touch bar according to an exemplary embodiment of the present invention;

FIG. 13 is a view illustrating widths of a first touch bar and a second touch bar of FIG. 4 according to an exemplary embodiment of the present invention;

FIG. 14 is a cross-sectional view taken along a line II-II' of FIG. 1 according to an exemplary embodiment of the present invention;

FIG. 15 is an enlarged view illustrating a portion C of FIG. 14 according to an exemplary embodiment of the present invention;

FIG. 16 is a configuration view illustrating a first light source unit of FIG. 14 according to an exemplary embodiment of the present invention;

FIG. 17 is a configuration view illustrating a touch display panel of FIG. 14 according to an exemplary embodiment of the present invention;

FIG. 18 is a configuration view illustrating a touch display panel of FIG. 14 according to an exemplary embodiment of the present invention;

FIG. 19 is a configuration view illustrating a touch display panel of FIG. 14 according to an exemplary embodiment of the present invention; and

FIG. 20 is a view illustrating a method of driving a flexible display device including a light source unit and light sensing elements according to an exemplary embodiment of the present invention.

#### DETAILED DESCRIPTION OF THE EMBODIMENTS

Exemplary embodiments of the present invention will be described below in more detail with reference to the accompanying drawings. In this regard, the exemplary embodiments may have different forms and should not be construed as being limited to the exemplary embodiments of the present invention described herein.

Like reference numerals may refer to like elements through the specification and drawings.

It will be understood that although the terms “first” and “second” may be used herein to describe various components, these components should not be limited by these terms.

Sizes of elements in the drawings may be exaggerated for clarity of description.

“About” or “approximately” as used herein may be inclusive of the stated value and means within an acceptable range of deviation for the particular value as determined by one of ordinary skill in the art, considering the measurement in question and the error associated with measurement of the particular quantity (i.e., the limitations of the measurement system). For example, “about” can refer to within one or more standard deviations, or within +30%, 20%, 10%, 5% of the stated value.

It will be understood that when a component, such as a layer, a film, a region, or a plate, is referred to as being “on” another component, the component can be directly on the other component or intervening components may be present.

A flexible display device according an exemplary embodiment of the present invention will be described in more detail below with reference to FIGS. 1 to 20.

FIG. 1 is a perspective view illustrating a flexible display device according to an exemplary embodiment of the present invention. FIG. 2 is a perspective view illustrating an expanded structure of a flexible display device of FIG. 1



5

according to an exemplary embodiment of the present invention. FIG. 3 is a cross-sectional view taken along a line I-I' of FIG. 1 according to an exemplary embodiment of the present invention. FIG. 4 is a cross-sectional view taken along a line II-II' of FIG. 1 according to an exemplary embodiment of the present invention.

Referring to FIGS. 1 to 4, a flexible display device 100 may include a housing 10, a first roller unit 20, a second roller unit 30, a first sliding unit 40, a second sliding unit 50, a rail unit 60, and a touch display panel 70. The touch display panel 70 may be a flexible touch display panel. The flexible touch display panel may be bent or rolled.

Referring to FIGS. 2 and 3, the housing 10 may include a support plate 11, an auxiliary support plate 12, a first accommodating portion 13, and a second accommodating portion 14. The housing 10 and the auxiliary support plate 12 may face each other, e.g., along a Z-axis direction. The first accommodating portion 13 may be connected to a first side of each of the support plate 11 and the auxiliary support plate 12. The second accommodating portion 14 may be connected to a second side of each of the support plate 11 and the auxiliary support plate 12. The support plate 11 may be an upper support plate. The auxiliary support plate 12 may be a lower support plate.

The first accommodating portion 13 and the second accommodating portion 14 may face each other, e.g., along a Y-axis direction. The first accommodating portion 13 and the second accommodating portion 14 may each include an inner space. The inner space of the first accommodating portion 13 and the second accommodating portion 14 may be configured to receive a first motor 44 and a second motor 54, respectively. Protrusions 141 may be positioned at opposite ends of the first accommodating portion 13, e.g., along an X-axis direction. Protrusions 131 may be positioned at opposite ends of the second accommodating portion 14, e.g., along the X-axis direction. The protrusions 131 and 141 may have a semi-cylindrical shape.

The X-axis direction may be a first surface direction of the flexible display device 100. The first surface of the flexible display device 100 may be expandable. The Y-axis direction may be a second surface direction of the flexible display device 100. The second surface direction may cross the first surface direction. The Z-axis direction may be a thickness direction of the flexible display device 100. The flexible display device 100 may be expandable in the thickness direction. The X-axis direction may be a substantially horizontal direction. The Y-axis direction may be a substantially vertical direction.

Referring to FIG. 4, the first roller unit 20 may be disposed at a first side of each of the support plate 11 and the auxiliary support plate 12. The second roller unit 30 may be disposed at a second side of each of the support plate 11 and the auxiliary support plate 12. The first roller unit 20 and the second roller unit 30 may face each other, e.g., along the X-axis direction. The first roller unit 20 may include a first roller 21 and a first roller housing 22. The first roller housing 22 may enclose the first roller 21. For example, the first roller housing 22 may partially enclose the first roller 21. The second roller unit 30 may include a second roller 31 and a second roller housing 32. The second roller housing 32 may enclose the second roller 31. For example, the second roller housing 32 may partially enclose the second roller 31.

Axial directions of each of the first roller 21 and the second roller 31 may be substantially parallel to the Y-axis direction. The first roller housing 22 and the second roller housing 32 may each have a cylindrical shape and have closed opposite ends.

6

The first roller 21 may be rotatably mounted inside the first roller housing 22, for example, by a bearing. The second roller 31 may be rotatably mounted inside the second roller housing 32, for example, by a bearing.

The first roller housing 22 may have a first opening 23. The first opening 23 may be substantially parallel to a central axis 91 of the first roller 21. The second roller housing 32 may have a second opening 33. The second opening 33 may be substantially parallel to a central axis 92 of the second roller 31. Portions of the touch display panel 70 may be drawn into each of the first roller housing 22 and the second roller housing 32 through the first opening 23 and the second opening 33 and may contact the first roller 21 and the second roller 31, respectively.

The first roller 21 and the second roller 31 may each be coated with an adhesive layer. The adhesive layer may have a relatively weak adhesiveness. The adhesive layer may contact the touch display panel 70. In a contracted mode of the flexible display device of FIG. 1, opposite ends of each of the first roller housing 22 and the second roller housing 32 may face corresponding protrusions 131 and 141 that face corresponding opposite ends along the Y-axis direction. The first roller 21 and the second roller 31 may have substantially the same diameter. A distance between the support plate 11 and the auxiliary support plate 12 may be substantially equal to the diameter of each of the first roller 21 and the second roller 31.

The first roller unit 20 may be affixed to the housing 10, for example, by the first sliding unit 40. The first roller unit 20 may move by driving of the first sliding unit 40, for example, such that a distance with respect to each of the support plate 11 and the auxiliary support plate 12 changes. Referring to FIG. 3, the first sliding unit 40 may include a pair of first sliders 41 and 42 and a first actuator 43. The pair of first sliders 41 and 42 may be affixed to opposite ends of the first roller housing 22. The first actuator 43 may be affixed to one of the pair of first sliders 41 and 42. For example, the first actuator 43 may be affixed to a first slider 41, which may allow the first slider 41 to move.

The second roller unit 30 may be affixed to the housing 10, for example, by the second sliding unit 50. The second roller unit 30 may move by driving of the second sliding unit 50, for example, such that a distance with respect to each of the support plate 11 and the auxiliary support plate 12 changes. Referring to FIG. 3, the second sliding unit 50 may include a pair of second sliders 51 and 52 and a second actuator 53. The pair of second sliders 51 and 52 may be affixed to opposite ends of the second roller housing 32. The second actuator 53 may be affixed to one of the pair of second sliders 51 and 52. For example, the second actuator 53 may be affixed to a second slider 51, which may allow the second slider 51 to move.

FIG. 5 is a plan view illustrating an expanded structure of a flexible display device of FIG. 2 according to an exemplary embodiment of the present invention.

Referring to FIGS. 1 to 5, the pair of first sliders 41 and 42 may each have a bar shape. The pair of first sliders 41 and 42 may be substantially parallel to the X-axis direction. The pair of first sliders 41 and 42 may face each other, for example, along the Y-axis direction. The pair of second sliders 51 and 52 may each have a bar shape. The pair of second sliders 51 and 52 may each be substantially parallel to the X-axis direction. The pair of second sliders 51 and 52 may face each other along the Y-axis direction. Thickness directions of each of the pair of first sliders 41 and 42 and the pair of second sliders 51 and 52 may be in the Y-axis direction.

The first sliders **41** and **42** may include a first driving slider **41** and a first driven slider **42**. The first driving slider **41** may be disposed on the same side of the flexible display apparatus **100** as the first accommodating portion **13**. The first driver slider **42** may be disposed on the same side of the flexible display device **100** as the second accommodating portion **14**. The pair of second sliders **51** and **52** may include a second driving slider **51** and a second driven slider **52**. The second driving slider **51** may be disposed on the same side of the flexible display device **100** as the second accommodating portion **14**. The second driven slider **52** may be disposed on the same side of the flexible display device **100** as the first accommodating portion **13**.

The first driving slider **41** may be positioned outside the second driven slider **52**. As a result, the first driving slider **41** might not contact the second driven slider **52**. The second driving slider **51** may be positioned outside the first driven slider **42**. As a result, the second driving slider **51** might not contact the first driven slider **42**. A first guide wall **15** may be disposed between the first driving slider **41** and the second driven slider **52**. A second guide wall **16** may be disposed between the second driving slider **51** and the first driven slider **42**.

The first guide wall **15** may be a wall dividing a space between the support plate **11** and the auxiliary support plate **12** from an inner space of the first accommodating portion **13**. The first guide wall **15** may be configured to guide movement of each of the first driving slider **41** and the second driven slider **52**. The second guide wall **16** may be a wall dividing a space between the support plate **11** and the auxiliary support plate **12** from an inner space of the second accommodating portion **14**. The second guide wall **16** may be configured to guide movement of each of the second driving slider **51** and the first driven slider **42**. The pair of first sliders **41** and **42** and the pair of second sliders **51** and **52** may be positioned at substantially a same height from a lowermost end of the housing **10**.

The first actuator **43** may include a first motor **44**, a first rack gear **45**, and a first pinion gear **46**. The first motor **44** may be affixed to the first accommodating portion **13**. The first rack gear **45** may be affixed to the first motor **44**. The first pinion gear **46** may be disposed on a surface of the first driving slider **41**. The first pinion gear **46** may be engaged with the first rack gear **45**. The second actuator **53** may include the second motor **54**. The second motor **54** may be affixed to the second accommodating portion **14**. The second rack gear **55** may be affixed to the second motor **54**. The second pinion gear **56** may be disposed on a surface of the second driving slider **51**. The second pinion gear **56** may be engaged with the second rack gear **55**.

When the first rack gear **45** rotates by driving of the first motor **44**, the first driving slider **41** may move in the X-axis direction. As a result, the first roller unit **20** may move. The position of the first roller unit **20** may be determined, for example, according to a rotation direction and a rotation amount of the first motor **44**. When the second rack gear **55** rotates by driving of the second motor **54**, the second driving slider **51** may move in the X-axis direction. As a result, the second roller unit **30** may move. The position of the second roller unit **30** may be determined, for example, according to a rotation direction and a rotation amount of the second motor **54**.

The first sliding unit **40** and the second sliding unit **50** may each include a motor as a power source and a rack gear and the pinion gear as a power transmitting apparatus; however, configurations of the first sliding unit **40** and the second sliding unit **50** are not limited thereto. For example,

a power source other than a motor may be used and a power transmission apparatus other than a rack gear and a pinion gear may be used.

Referring to FIGS. **1** to **4**, the rail unit **60** may support the touch display panel **70**. The rail unit **60** may be disposed on each of the support plate **11**, the first roller unit **20** and the second roller unit **30**.

The rail unit **60** may include a plurality of fixed rails **61**, a plurality of first moving rails **62**, and a plurality of second moving rails **63**. The plurality of first moving rails **62** may be affixed to the support plate **11**. The plurality of first moving rails **62** may be affixed to the first roller unit **20**. The plurality of first moving rails **62** may be engaged with a first side surface of the plurality of fixed rails **61**. The plurality of second moving rails **63** may be affixed to the second roller unit **30**. The plurality of second moving rails **63** may be engaged with a second side surface of the plurality of fixed rails **61**. Each of the plurality of fixed rails **61**, the plurality of first moving rails **62**, and the plurality of second moving rails **63** may include a band-shaped rail. The band-shaped rail may be substantially parallel to the X-axis direction. The band-shaped rail may include a metal.

The plurality of fixed rails **61** may be disposed on the support plate **11**, for example, along the Y-axis direction. The plurality of fixed rails **61** may be spaced apart from each other. The plurality of first moving rails **62** may be affixed to the first roller housing **22**. The plurality of first moving rails **62** may be affixed to the first roller housing **22**, for example, along the Y-axis direction. The plurality of first moving rails **62** may be spaced apart from each other. The plurality of second moving rails **63** may be affixed to the second roller housing **32**, for example, along the Y-axis direction. The plurality of second moving rails **63** may be spaced apart from each other.

The first moving rail **62** and the second moving rail **63** may each be disposed between adjacent fixed rails **61**, for example, along the Y-axis direction. Thus, a side surface of the first moving rail **62** may be engaged with a side surface of the second moving rail **63**. The fixed rail **61**, the first moving rail **62** and the second moving rail **63** may be repeatedly arranged along the Y-axis direction in the order of the fixed rail **61**, the first moving rail **62**, and the second moving rail **63**; however, exemplary embodiments of the present invention are not limited thereto.

Side surfaces of each of the plurality of fixed rails **61**, the plurality of first moving rails **62** and the plurality of second moving rails **63** may be engaged with each other, for example, in a projection-groove engagement structure.

For example, each of the plurality of first moving rails **62** may include first grooves. The first grooves may be defined on opposite side surfaces of the plurality of first moving rails **62**. Each of the plurality of second moving rails **63** may include first projections. The first projections may be formed on opposite side surfaces of the plurality of second moving rails **63**. Each of the plurality of fixed rails **61** may include a second projection and a second groove. The second projection may be formed on a first side surface of the plurality of fixing rails **61**. The second projection may face the first moving rail **62**. The second groove defined on a second side surface of the plurality of fixing rails **61**. The second groove may face the second moving rail **63**. Each of the plurality of fixed rails **61**, the plurality of first moving rails **62**, and the plurality of second moving rails **63** may include a third projection. The third projection may be formed on a lower surface of each of the plurality of fixing rails **61**, the plurality of first moving rails **62**, and the plurality of second moving rails **63**. The support plate **11**

may be defined with a plurality of third grooves. The plurality of third grooves may respectively receive the plurality of third projections. The plurality of first moving rails **62** and the plurality of second moving rails **63** may each slide, for example, in the X-axis direction with respect to the support plate **11**.

Referring to FIGS. **1** to **4**, in the contracted mode, the plurality of first moving rails **62** and the plurality of second moving rails **63** may be positioned above the support plate **11**. Thus, the plurality of first moving rails **62** and the plurality of second moving rails **63** may each be substantially parallel to the plurality of fixed rails **61**. In an expanded mode, the plurality of first moving rails **62** and the first roller unit **20** may each slide, for example, to expand in a positive (+) X direction with respect to the support plate **11**. The plurality of second moving rails **63** and the second roller unit **30** may each slide, for example, to expand in a negative (-) X direction with respect to the support plate **11**.

A length of each of the plurality of first moving rails **62** may be greater than a maximum sliding distance of the first roller housing **22**. As a result, the plurality of first moving rails **62** might not be completely separated from the plurality of fixed rails **61** in the expanded mode. A length of each of the plurality of second moving rails **63** may be greater than a maximum sliding distance of the second roller housing **32**. As a result, the plurality of second moving rails **63** might not be completely separated from the plurality of fixed rails **61** in the expanded mode.

The rail unit **60** may support the touch display panel **70**. The plurality of first moving rails **62** and the plurality of second moving rails **63** may each support the touch display panel **70** in the expanded mode.

The touch display panel **70** may cover a surface of the rail unit **60**. For example, the touch display panel **70** may cover an upper surface of the rail unit **60**. A central portion of the touch display panel **70** may be affixed to the plurality of fixed rails **61**. A first outer side portion of the central portion may be affixed to the first roller unit **20**. A second outer side portion of the central portion may be affixed to the second roller unit **30**. Exposed areas of each of the outer side portions of the central portion affixed to the first roller unit **20** and the second roller unit **30** may vary.

Referring to FIGS. **3** and **4**, the first roller unit **20** may include a first guide portion **24**. The first guide portion **24** may support each of a first variable display portion **72** and a first dummy portion **74**. The first guide portion **24** may also guide a sliding of each of the first variable display portion **72** and the first dummy portion **74**. The first guide portion **24** may be affixed to the first roller housing **22**, for example, behind the support plate **11**. The first guide portion **24** may define an inner space, which may be open toward the first roller **21**. The first guide portion **24** may be configured to receive each of the first variable display portion **72** and the first dummy portion **74** in the inner space.

The second roller unit **30** may include a second guide portion **34**. The second guide portion **34** may support each of a second variable display portion **73** and a second dummy portion **75**. The second guide portion **34** may also guide a sliding of each of the second variable display portion **73** and the second dummy portion **75**. The second guide portion **34** may be affixed to the second roller housing **32**, for example, behind the support plate **11**. The second guide portion **34** may define an inner space, which may be open toward the second roller **31**. The second guide portion **34** may be configured to receive each of the second variable display portion **73** and the second dummy portion **75** in the inner

space. The first guide portion **24** and the second guide portion **34** may overlap each other, for example, above the auxiliary support plate **12**.

Referring to FIG. **4**, the touch display panel **70** may contact each of the first roller housing **22** and the second roller housing **32**; however, the first roller housing **22** and the second roller housing **32** may each secure a space between the touch display panel **70** and the first roller housing **22** and between the touch display panel **70** and the second roller housing **32**, respectively. As a result, movement of the touch display panel **70** might not be restricted.

Referring to FIGS. **1** to **3**, the flexible display device **100** may include a driving module unit **80**. The driving module unit **80** may include a flexible printed circuit board ("FPCB") **81** and a printed circuit board ("PCB") **82**. The FPCB **81** may be a chip on film ("COF") circuit board. The PCB **82** may be connected to the FPCB **81**. The FPCB **81** may be affixed to a side of a fixed display portion **71**. The FPCB **81** may be folded about 180 degrees. As a result, the FPCB **81** may be positioned behind the fixed display portion **71**. The PCB **82** may also be positioned behind the fixed display portion **71**.

The driving module unit **80** may be connected to the first dummy portion **74** or the second dummy portion **75**. The driving module unit **80** may slide with the first dummy portion **74** or the second dummy portion **75**. As a result, the driving module unit **80** may be relatively easily damaged.

Since the affixed display portion **71** is a portion that might not slide, the driving module unit **80** connected to the fixed display portion **71** may substantially minimize damage to the driving module unit **80**. A module support plate **17** may be disposed between the support plate **11** and the auxiliary support plate **12**. The module support plate **17** may support the driving module unit **80**. Thus, the flexible display device **100**, which may be expandable, may reduce or prevent the driving module unit **80** from being damaged due to sliding by connecting the driving module unit **80** to the fixed display portion **71**.

FIG. **6** is a configuration view illustrating a touch bar of FIG. **4** according to an exemplary embodiment of the present invention.

Referring to FIG. **6**, the first touch bar **121** may have a long bar shape. For example, the first touch bar **121** may have a relatively straight linear shape. The relatively straight linear shape may be substantially parallel to the central axis **91** of the first roller **21** or the central axis **92** of the second roller **31**.

Referring to FIGS. **4** and **6**, the first touch bar **121** may be disposed between the first roller housing **22** and the touch display panel **70**. For example, the first touch bar **121** may be disposed inside the first roller housing **22**. The first touch bar **121** may protrude from an inner side surface of the first roller housing **22**, for example, toward an outer circumferential surface of the first roller **21**. As a result, the first touch bar **121** may contact a portion of the touch display panel **70** rolled around the outer circumferential surface of the first roller **21**. Thus, the first touch bar **121** may contact a portion of the touch display panel **70** between the first touch bar **121** and the first roller **21**. The first touch bar **121** may contact a display portion of the touch display panel **70**.

The first touch bar **121** may cross the touch display panel **70**. For example, the first touch bar **121** may cross the display portion of the touch display panel **70**. Accordingly, the first touch bar **121** may cross facing sides of the touch display panel **70**. Thus, the first touch bar **121** may cross facing sides among sides defining the display portion of the

touch display panel 70. The facing sides may refer to sides having a curved shape, for example, while being rolled around the first roller 21.

A second touch bar 122 may have a long bar shape. Thus, the second touch bar 122 may have a similar shape as the first touch bar 121. For example, the second touch bar 122 may have a relatively straight linear shape. The relatively straight linear shape may be substantially parallel to the central axis 91 of the first roller 21 or the central axis 92 of the second roller 31.

Referring to FIG. 4, the second touch bar 122 may be disposed between the second roller housing 32 and the touch display panel 70. For example, the second touch bar 122 may be disposed inside the second roller housing 32. The second touch bar 122 may protrude from an inner side surface of the second roller housing 32, for example, toward an outer circumferential surface of the second roller 31. As a result, the second touch bar 122 may contact a portion of the touch display panel 70 rolled around the outer circumferential surface of the second roller 31. Thus, the second touch bar 122 may contact a portion of the touch display panel 70 between the second touch bar 122 and the second roller 31. The second touch bar 122 may contact the display portion of the touch display panel 70.

The second touch bar 122 may cross the touch display panel 70. For example, the second touch bar 122 may cross the display portion of the touch display panel 70. Accordingly, the second touch bar 122 may cross facing sides of the touch display panel 70. Thus, the second touch bar 122 may cross facing sides among sides defining the display portion of the touch display panel 70. The facing sides may refer to sides having a curved shape while being rolled around the second roller 31.

FIG. 7 is a cross-sectional view illustrating an expanded structure of a flexible display device of FIG. 2 according to an exemplary embodiment of the present invention.

Referring to FIG. 7, when the first roller housing 22 and the second roller housing 32 are pulled in directions away from each other, respectively, the first roller 21 of the first roller housing 22 and the second roller 31 of the second roller housing 32 may rotate in opposite directions, respectively. Thus, the first roller 21 may rotate in a clockwise direction. The second roller 31 may rotate in a counterclockwise direction. By the rotation of the first and second rollers 21 and 31, a portion of the touch display panel 70 located at the first roller housing 22 may be exposed through the first opening 23, and a portion of the touch display panel 70 located at the second roller housing 32 may be exposed through the second opening 33.

When the first roller housing 22 and the second roller housing 32 are pushed to come close to each other, the first roller 21 may rotate in the counterclockwise direction and the second roller 31 may rotate in the clockwise direction. Accordingly, opposite end portions of the touch display panel 70 are inserted into the first roller housing 22 and the second roller housing 32, respectively.

FIG. 8 is a configuration view illustrating a touch display panel and a panel driver of FIG. 1 according to an exemplary embodiment of the present invention. FIG. 9 is a configuration view illustrating a display panel of FIG. 8 according to an exemplary embodiment of the present invention.

Referring to FIG. 8, the touch display panel 70 may include a display panel 133 and a touch panel 144.

The display panel 133 may include  $i*j$  number of pixels R, G and B,  $i$  number of gate lines GL1 to GL $i$ , and  $j$  number of data lines DL1 to DL $j$ .  $j$  may be a natural number greater than 1.

First to  $i$ -th gate signals may be applied to the first to  $i$ -th gate lines GL1 to SL $i$ , respectively. First to  $j$ -th data image data signals may be applied to the first to  $j$ -th data lines DL1 to DL $j$ , respectively.

According to an exemplary embodiment of the present invention, the display panel 133 may include a relatively high electric potential power line and a relatively low electric potential power line. The relatively high electric potential power line may supply a relatively high electric potential driving voltage ELVDD to the  $i*j$  number of pixels R, G and B. The relatively low electric potential power line may supply a relatively low electric potential driving voltage ELVSS to the  $i*j$  number of pixels R, G and B.

Referring to FIG. 2, the pixels R, G and B may be arranged on a display portion of the display panel 133, for example, in the form of a matrix. These pixels R, G and B may include red pixels R representing a red color, green pixels G representing a green color, and blue pixels B representing a blue color. A red pixel R, a green pixel G, and a blue pixel B may be adjacently disposed in a horizontal direction and may define a unit pixel. The unit pixel may display a unit image.

" $j$ " number of pixels may be arranged along an  $x$ -th horizontal line ( $x$ -th horizontal line pixels).  $x$  may be a number selected from 1 to  $i$ . The  $x$ -th horizontal line pixels may be respectively connected to the first to  $j$ -th data lines DL1 to DL $j$ . The  $x$ -th horizontal line pixels may be connected to an  $x$ -th gate line in common. Accordingly, the  $x$ -th horizontal line pixels may receive an  $x$ -th gate signal as a common signal. Thus, " $j$ " number of pixels arranged in substantially a same horizontal line may receive substantially a same gate signal. Pixels arranged in different horizontal lines may receive different gate signals, respectively. For example, each of a red pixel R, a green pixel G and a blue pixel B arranged on a first horizontal line HL1 may receive a first gate signal output. A red pixel R, a green pixel G and a blue pixel B arranged on a second horizontal line HL2 may receive a second gate signal output, for example, at a different timing from a timing of the first gate signal output.

The touch panel 144 may include a plurality of touch sensing elements TS. The plurality of touch sensing elements TS may be disposed on the touch panel 144. One touch sensing element TS may be provided for  $q$  number of pixels.  $q$  may be a natural number. The touch panel 144 may be positioned above or below the display panel 133.

The touch sensing element TS may sense a touch when the touch is applied to the touch sensing element TS. As a result, the touch sensing element TS may generate a touch sensing signal.

According to an exemplary embodiment of the present invention, the display panel 133 may provide a display function and a function of the touch panel 144 omitting the separate touch panel 144. The touch sensing element TS and elements for driving the touch sensing element TS may be embedded in the display panel 133.

The panel driver 180 may divide the display portion of the touch display panel 70, for example, into a display area and a non-display area. The panel driver 180 may divide the display portion of the touch display panel 70 according to positions of touch sensing elements TS contacting each of the first touch bar 121 and the second touch bar 122. The panel driver 180 may receive touch sensing signals generated from the touch sensing element TS contacting each of the first touch bar 121 and the second touch bar 122. According to the touch sensing signals, the panel driver 180 may detect positions of the touch sensing elements TS

contacting the first touch bar **121** and positions of the touch sensing elements TS contacting the second touch bar **122**.

Since the first touch bar **121** may have a substantially straight bar shape crossing the touch display panel **70**, touch sensing elements TS contacting the first touch bar **121** may be arranged in a line along the first touch bar **121**. Since the second touch bar **122** may have a substantially straight bar shape crossing the touch display panel **70**, touch sensing elements TS contacting the second touch bar **122** may be arranged in a line along the second touch bar **122**.

According to an exemplary embodiment of the present invention, some of the touch sensing elements TS in a column contacting the first touch bar **121** might not substantially contact the first touch bar **121**. Thus, due to characteristics of the touch display panel **70** which may be easily bent or due to incomplete flatness of a contact surface of the first touch bar **121** contacting the touch display panel **70**, some of the touch sensing elements TS in the column might not substantially contact the first touch bar **121**. A touch sensing signal might not be generated from a touch sensing element that does not substantially contact the first touch bar **121**. Thus, when about 80% or more of the total number of touch sensing elements TS in the column overlapping the first touch bar **121** generate touch sensing signals, the panel driver **180** may determine the touch sensing elements TS in the column are substantially in contact with the first touch bar **121**. The panel driver **180** may determine that substantially all of the touch sensing elements TS in the column are touched by the first touch bar **121**. Thus, the panel driver **180** may determine that each of the touch sensing elements TS in the column may generate a touch sensing signal. If a value corresponding to a number of about 80% or more of the total number of touch sensing elements TS in the column is not a natural number, a portion below the decimal point may be rounded down. Alternatively, whether or not a contact is made may be determined by a majority rule as a threshold.

Some of touch sensing elements TS in the column contacting the second touch bar **122** might not substantially contact the second touch bar **122**. Thus, when about 80% or more of the total number of touch sensing elements TS in the column overlapping the second touch bar **122** generate touch sensing signals, the panel driver **180** may determine that the touch sensing elements TS in the column are substantially in contact with the second touch bar **122**.

A touch sensing element TS substantially contacting the first touch bar **121** may be referred to as a first active touch sensing element. A touch sensing element TS substantially contacting the second touch bar **122** may be referred to as a second active touch sensing element.

The panel driver **180** may detect positions of the first active touch sensing elements in the touch display panel **70** and may detect positions of the second active touch sensing elements in the touch display panel **70**. Thus, the panel driver **180** may detect positions of each of the first active touch sensing elements and the second active touch sensing elements in the display portion. The position of the first active touch sensing element may refer to a position of the first active touch sensing element in the display portion of the touch display panel **70**. The position of the second active touch sensing element may refer to a position of the second active touch sensing element in the display portion of the touch display panel **70**.

The panel driver **180** may divide the display portion of the touch display panel **70** into a display area and a non-display area. The panel driver **180** may divide the display portion of the touch display panel **70** into the display area and the

non-display area according to positions of the first active touch sensing elements and the positions of the second active touch sensing elements. The panel driver **180** may provide a first touch line TL1. The first touch line TL1 may pass through at least two first active touch sensing elements. The panel driver **80** may also provide a second touch line TL2. The second touch line TL2 may pass through at least two second active touch sensing elements. Thus, the panel driver **180** may assume several touch points between adjacent first active touch sensing elements. The panel driver **180** may also assume several touch points between adjacent second active touch sensing elements. The first touch line TL1 may cross the display portion. Accordingly, the first touch line TL1 may cross facing sides among the sides defining the display portion. The second touch line TL2 may cross the display portion. Accordingly, the second touch line TL2 may cross facing sides among the sides defining the display portion. The facing sides of the display portion may refer to sides having a curved shape, for example, while being rolled around the first roller **21** or the second roller **31**.

The panel driver **180** may divide the display portion of the touch display panel **70**, for example, into a display area and a non-display area. The panel driver **180** may divide the display portion of the touch display panel **70** into a display area and a non-display area according to the first touch line TL1 and the second touch line TL2.

The panel driver **180** may activate at least a portion of the display area. The panel driver **180** may deactivate the non-display area. For example, the panel driver **180** may display an image in at least a portion of the display area. The panel driver **180** might not display an image in the non-display area. For example, the panel driver **180** may activate pixels in the display area. The panel driver **180** may deactivate pixels in the non-display area.

According to an exemplary embodiment of the present invention, the panel driver **180** may activate touch sensing elements TS in the display area. The panel driver **180** may deactivate touch sensing elements TS in the non-display area.

The panel driver **180** may include a sensor driver **161**, a position determination unit **171**, a screen division unit **172**, a timing controller **163**, a gate driver **112**, a data driver **111**, and a power supply unit **168**.

The panel driver **180** may be positioned at the driving module unit **80**. For example, the timing controller **163** and the power supply unit **168** may each be disposed on the PCB **82**. The gate driver **112**, the data driver **111**, the sensor driver **161**, the position determination unit **171** and the screen division unit **172** may each be disposed on the FPCB **81**. For example, an integrated circuit (“IC”) may be disposed on the FPCB **81**. Each of the gate driver **112**, the data driver **111**, the sensor driver **161**, the position determination unit **171**, and the screen division unit **172** may be embedded in the IC.

The sensor driver **161** may drive the touch sensing elements TS of the touch display panel **70**. The sensor driver **161** may read sensing results, i.e., touch sensing signals. The sensing results may be generated from the driven touch sensing element TS. The sensor driver **161** may generate a driving signal to drive the touch sensing elements TS. The driving signal may be a pulse supplied to the touch sensing elements TS.

The position determination unit **171** may detect positions of the first active touch sensing elements and positions of the second active touch sensing elements, for example, according to the touch sensing signals applied from the sensor driver **161**. The position determination unit **171** may set the first touch line TL1 according to the positions of the first

active touch sensing elements. The position determination unit 171 may set the second touch line TL2 according to the positions of the second active touch sensing elements. Thus, the position determination unit 171 may calculate coordinates of each of the first touch line TL1 and the second touch line TL2.

According to an exemplary embodiment of the present invention, when different touch sensing signals are further applied from the sensor driver 161, the position determination unit 171 may further detect coordinates of another touch point on the touch display panel 70 based on the touch sensing signals.

The screen division unit 172 may divide the display portion of the touch display panel 70, for example, into a display area and a non-display area. The screen division unit 172 may divide the display portion of the touch display panel 70 according to the positions of the first active touch sensing elements and the second active touch sensing elements. For example, the screen division unit 172 may divide the display portion of the touch display panel 70 into a display area and a non-display area according to the first touch line TL1 and the second touch line TL2.

The display portion of the touch display panel 70 may be divided into three areas. For example, the display portion of the touch display panel 70 may be divided into a first non-display area, a display area, and a second non-display area. The first non-display area may be positioned between the first touch line TL1 and a first end 991 of the touch display panel 70. The display area may be positioned between the first touch line TL1 and the second touch line TL2. The second non-display area may be positioned between the second touch line TL2 and a second end 992 of the touch display panel 70. The first end 991 of the touch display panel 70 may refer to an end of the touch display panel 70 disposed inside the first roller housing 22. The second end 992 of the touch display panel 70 may refer to an end of the touch display panel 70 disposed inside the second roller housing 32. Thus, the first end 991 may be positioned in the first guide portion 24 of FIG. 4. The second end 992 may be positioned in the second guide portion 34 of FIG. 4.

According to an exemplary embodiment of the present invention, when the first touch line TL1 detected for a predetermined amount of time may move toward the second end 992 of the touch display panel 70, the panel driver 180 may set an area between the detected first touch line TL1 and the first end 991 of the touch display panel 70. The area between the detected first touch line TL1 and the first end 991 of the touch display panel 70 may be the first non-display area. Thus, an erroneous touch line TL1 may be detected by an unintentional touch other than the first touch bar 121. To minimize such errors, the panel driver 180 may trace a movement direction of the first touch line TL1 for a predetermined time. When the first touch line TL1 is generated at at least two different positions during the predetermined time and the first touch line TL1 may move toward a specific direction during the predetermined time, the panel driver 180 may determine that the first touch line TL1 is a touch line that is generated in a normal manner by rotation (e.g., in the counterclockwise direction) of the first roller 21.

When the first touch line TL1 detected for a predetermined time may move toward the first end 991 of the touch display panel 70, the panel driver 180 may set an area between the detected first touch line TL1 and the second touch line TL2. The area between the detected first touch line TL1 and the second touch line TL2 may be the display area.

According to an exemplary embodiment of the present invention, when the second touch line TL2 detected for a predetermined time may move toward the first end 991 of the touch display panel 70, the panel driver 180 may set an area between the detected second touch line TL2 and the second end 992 of the touch display panel 70. The area between the detected second touch line TL2 and the second end 992 of the touch display panel 70 may be the second non-display area. Thus, an erroneous touch line TL2 may be detected by an unintentional touch other than the second touch bar 122. To minimize such errors, the panel driver 180 may trace a movement direction of the second touch line TL2 for a predetermined time. When the second touch line TL2 is generated at at least two different positions during the predetermined time and the second touch line TL2 may move toward a specific direction during the predetermined time, the panel driver 180 may determine that the second touch line TL2 is a touch line that is generated in a normal manner by rotation (e.g., in the clockwise direction) of the second roller 31.

When the second touch line TL2 detected for a predetermined time may move toward the second end 992 of the touch display panel 70, the panel driver 180 may set an area between the detected second touch line TL2 and the first touch line TL1. The area between the detected second touch line TL2 and the first touch line TL1 may be the display area.

The timing controller 163 may correct image data signals DATA externally applied thereto. For example, the timing controller 163 may correct image data signals DATA according to touch related information provided from each of the position determination unit 171 and the screen division unit 172. The timing controller 163 may apply corrected image data signals DATA' to the data driver 111. The timing controller 163 may generate a gate control signal GCS, a data control signal DCS and a sensor control signal SCS, for example, by respectively using a horizontal synchronization signal Hsync, a vertical synchronization signal Vsync and a dot clock DCLK externally applied thereto. The data control signal DCS may be a control signal, for example, for controlling an operation of the data driver 111. The data control signal DCS may be applied to the data driver 111. The gate control signal GCS may be a signal for controlling the gate driver 112. The gate control signal GCS may be applied to the gate driver 112. The sensor control signal SCS may be a signal for controlling the sensor driver 161. The sensor control signal SCS may be applied to the sensor driver 161.

The gate driver 112 may drive the pixels on a horizontal line basis. For example, the gate driver 112 may drive the  $i^{\text{th}}$  number of pixels by each  $j$  number of pixels. Thus, the gate driver 112 may substantially simultaneously drive  $j$  number of pixels during a horizontal period. Accordingly, the gate driver 112 may output the first to  $i$ -th gate signals according to the gate control signal GCS applied from the timing controller 163. Thus,  $n$ -th horizontal line pixels may be controlled according to an  $n$ -th gate signal. The  $n$ -th gate signal may be a pulse. The pulse may keep an active state during an  $n$ -th horizontal period of each frame. The pulse may keep an inactive state during the remaining period of each frame. Substantially all of the  $i$  number of gate signals may be a pulse of substantially a same form; however, the  $i$  number of gate signals may have different output points in time. The active state of a signal including the gate signal may refer to a state in which a switching element applied with a signal having such a state may be turned ON. The inactive state of a signal including the gate signal may refer to a state in which a switching element applied with a signal

having such a state may be turned OFF. For example, each of the first to  $i$ -th gate signals may have a voltage of about 20 [V] during the active state. During the inactive state, each of the first to  $i$ -th gate signals may have a voltage of about  $-5$  [V].

The data driver **111** may sample the corrected image data signals DATA' according to the data control signal DCS applied from the timing controller **163**. The data driver **111** may latch the sampled digital image data signals corresponding to a horizontal line for each horizontal period. The data driver **111** may apply the latched image data signals to the data lines DL1 to DL $j$ . Thus, the data driver **111** may convert the image data signals DATA' applied from the timing controller **163** into an analog signal (e.g., a data voltage), for example, by using a gamma voltage GMA applied from the power supply unit **168**. The data driver **111** may apply each of the image data signals and the converted analog signals to the data lines DL1 to DL $j$ .

The power supply unit **168** may increase or decrease a driving power externally applied thereto, for example, to generate power for driving the touch display panel **70**, the timing controller **163**, the gate driver **112**, the data driver **111** and the sensor driver **161**. The power supply unit **168** may include, for example, an output switching element. The output switching element may switch an output voltage of an output terminal of the power supply unit **168**. The power supply unit **168** may also include a pulse width modulator PWN. The pulse width modulator PWM may adjust a duty ratio or a frequency of a control signal applied to a control terminal of the output switching element, for example, to increase or decrease the output voltage. Alternatively, the power supply unit **168** may include a pulse frequency modulator PFM. The pulse width modulator PWM may increase the duty ratio of the control signal, for example, to increase the output voltage of the power supply unit **168**. The pulse width modulator PWM may decrease the duty ratio of the control signal to lower the output voltage of the power supply unit **168**. The pulse frequency modulator PFM may increase the frequency of the control signal, for example, to increase the output voltage of the power supply unit **168**. The pulse frequency modulator PFM may decrease the frequency of the control signal, for example, to lower the output voltage of the power supply unit **168**.

The power supply unit **168** may generate various power signals including, for example, a reference voltage VDD, a gamma voltage GMA, a first driving voltage ELVDD, a second driving voltage ELVSS, a gate high voltage VGH, or a gate low voltage VGL. The gamma voltage GMA may be a voltage generated by voltage division of the reference voltage VDD. The reference voltage VDD and the gamma voltage GMA may each be analog gamma voltages, which may be applied to the data driver **111**. The gate high voltage VGH may be a relatively high logic voltage of the gate signal. The relatively high logic voltage of the gate signal may be set to be equal to or higher than a threshold voltage of a switching element (e.g., a data switching element Tr\_S of FIG. **10**) of a pixel. The gate low voltage VGL may be a relatively low logic voltage of the gate signal. The relatively low logic voltage of the gate signal may be set to be an OFF voltage of the switching element. The gate high voltage VGH and the gate low voltage VGL may each be applied to the gate driver **112**.

Each of the pixels R, G and B of FIG. **9** may have a circuit configuration described in more detail below. Since respective circuit configurations of the pixels R, G and B are substantially the same; a circuit configuration for one pixel will be described in detail herein.

FIG. **10** is a circuit diagram illustrating a pixel of FIG. **9** according to an exemplary embodiment of the present invention.

Referring to FIG. **10**, the pixel PX may include a driving switching element Tr\_D, the data switching element Tr\_S, a storage capacitor Cst and a light emitting element EL.

The data switching element Tr\_S may include a gate electrode, a drain electrode, and a source electrode. The gate electrode may be connected to a gate line GL. The gate electrode may also be connected to each of a data line DL and a gate electrode of the driving switching element Tr\_D. The drain electrode may be connected to the data line DL. The source electrode may be connected to the gate electrode of the driving switching element Tr\_D.

The driving switching element Tr\_D may include the gate electrode, a drain electrode, and a source electrode. The gate electrode may be connected to the source electrode of the data switching element Tr\_S. The gate electrode may be connected to each of a high electric potential power line VDL and an anode electrode of the light-emitting element EL. The drain electrode may be connected to the high electric potential power line VDL. The source electrode may be to the anode electrode of the light-emitting element EL.

The driving switching element Tr\_D may adjust an amount (e.g., a density) of a driving current flowing from the high electric potential power line VDL to a low electric potential power line VSL, for example, according to a magnitude of a signal applied to the gate electrode of the driving switching element Tr\_D.

The storage capacitor Cst may be connected to each of the gate electrode of the driving switching element Tr\_D and the anode electrode of the light-emitting element EL. The storage capacitor Cst may store the signal applied to the gate electrode of the driving switching element Tr\_D, for example, for one frame period.

The light-emitting element EL may emit light, for example, in accordance with the driving current applied through the driving switching element Tr\_D. The light-emitting element EL may emit light of different brightness, for example, according to a level of the driving current. The anode electrode of the light-emitting element EL may be connected to the source electrode of the driving switching element Tr\_D. A cathode electrode of the light-emitting element EL may be connected to the low electric potential power line VSL. The light-emitting element EL may be an organic light-emitting diode ("OLED").

FIG. **11** is a configuration view illustrating a touch panel and a sensor driver of FIG. **8** according to an exemplary embodiment of the present invention.

Referring to FIG. **11**, the touch panel **144** may include  $m$  number of driving lines DRL1 to DRL $m$ ,  $n$  number of sensing lines SSL1 to SSL $n$ , and  $m*n$  number of touch sensing elements TS, in which  $m$  and  $n$  may be natural numbers.

The driving lines DRL1 to DRL $m$  and the sensing lines SSL1 to SSL $n$  may cross each other. The touch sensing element TS may be positioned at each crossing of the driving lines DRL1 to DRL $m$  and the sensing lines SSL1 to SSL $n$ . For example, one touch sensing element TS may be positioned at a point where the first driving line DRL1 and the first sensing line SSL1 cross each other. Thus, the touch sensing element TS may be formed by each of the first driving line DRL1 and the first sensing line SSL1.

One touch sensing element TS may be represented by a capacitor Cs disposed between a driving line and a sensing line, in which the sensing line overlaps the driving line. One touch sensing element TS may be connected to each of one

driving line and one sensing line. However, exemplary embodiments of the present invention are not limited thereto.

When a certain portion of the touch panel **144** is touched by a user (e.g., a user's finger) or the like, a capacitance of the capacitor  $C_s$  (e.g., the touch sensing element **TS**) positioned at the touched point may change. By the change in capacitance of the capacitor  $C_s$ , a presence of a touch to the point may be identified.

First to  $m$ -th driving signals **DS1** to **DS $m$**  may be applied to the first to  $m$ -th driving lines **DRL1** to **DRL $m$** , respectively. First to  $n$ -th sensing signals **SS1** to **SS $n$**  may be applied to the first to  $n$ -th sensing lines **SSL1** to **SSL $n$** , respectively.

The  $n$  number of touch sensing elements **TS** arranged along one horizontal line may be connected to one driving line in common. The  $n$  number of touch sensing elements **TS** may further be individually connected to then number of sensing lines **SSL1** to **SSL $n$** , respectively.

The  $m$  number of touch sensing elements **TS** arranged along one vertical line may be connected to one sensing line in common. The  $m$  number of touch sensing elements **TS** may further be individually connected to the  $m$  number of driving lines **DRL1** to **DRL $m$** , respectively.

Referring to FIG. **11**, the sensor driver **161** may include a driving line scan unit **401** and a data lead unit **402**.

The driving line scan unit **401** may sequentially output the first to  $m$ -th driving signals **DS1** to **DS $m$** . The first to  $m$ -th driving signals **DS1** to **DS $m$**  may be sequentially output during one frame period. The first to  $m$ -th driving signals **DS1** to **DS $m$**  may be sequentially applied to the first to  $m$ -th driving lines **DRL1** to **DRL $m$** , respectively. Accordingly, the first to  $m$ -th driving lines **DRL1** to **DRL $m$**  may be sequentially driven from the first driving line **DRL1** to the  $m$ -th driving line **DRL $m$**  during one frame period.

The first to  $m$ -th driving signals **DS1** to **DS $m$**  may be applied from the driving line scanning unit **401** to the  $m*n$  number of touch sensing elements **TS**, for example, through the first to  $m$ -th driving lines **DRL1** to **DRL $m$** .

In response to the first to  $m$ -th driving signals **DS1** to **DS $m$** , the  $m*n$  number of touch sensing elements **TS** may output  $m*n$  number of touch sensing signals. When one driving line is driven,  $n$  number of touch sensing elements **TS** connected to the one driving line may substantially simultaneously output  $n$  number of touch sensing signals **SS1** to **SS $n$** . The  $n$  number of touch sensing signals **SS1** to **SS $n$**  may be applied to the data lead unit **402**, for example, through the first to  $n$ -th sensing lines **SSL1** to **SSL $n$** , respectively.

The data lead unit **402** may convert the first to  $n$ -th touch sensing signals **SS1** to **SS $n$**  from  $n$  number of sensing signals into digital signals, respectively. The data lead unit **402** may store the digital signals. Accordingly,  $m*n$  number of touch sensing signals may be stored in the data lead unit **402** during one frame period.

The position determination unit **171** may calculate coordinates of each of the first touch line **TL1**, the second touch line **TL2**, and another touch point, for example, based on the  $m*n$  number of touch sensing signals stored in the data lead unit **402**.

FIGS. **12A** and **12B** are views illustrating a method of driving a flexible display device including a touch bar according to an exemplary embodiment of the present invention.

Referring to FIG. **12A**, a first touch bar **121** may selectively contact touch sensing elements **TS** (hereinafter "first active touch sensing elements") arranged in a line along one

vertical line. A second touch bar **122** may selectively contact touch sensing elements **TS** (hereinafter "second active touch sensing elements") arranged in a line along another vertical line. For example, the first active touch sensing elements may be touch sensing elements **TS** connected to a third sensing line **SSL3** in common. The second active touch sensing elements may be touch sensing elements **TS** connected to an  $(n-3)$ -th sensing line **SSL $n-3$**  in common.

A position determination unit **171** may set a first touch line **TL1**, for example, according to sensing signals generated from the first active touch sensing elements. The position determination unit **171** may also set a second touch line **TL2**, for example, according to sensing signals generated from the second active touch sensing elements. Referring to FIG. **12A**, the first touch line **TL1** may correspond to the third sensing line **SSL3**. The second touch line **TL2** may correspond to the  $(n-3)$ -th sensing line **SSL $n-3$** .

A screen division unit **172** may divide a display portion **70a** of the touch display panel **70**. The screen division unit **172** may divide the display portion **70a** into a first non-display area **B1**, a display area **A**, and a second non-display area **B2**, for example, according to the first touch line **TL1** and the second touch line **TL2**.

Referring to FIG. **12A**, the screen division unit **172** may set an area of the display portion **70a** between the first touch line **TL1** (e.g., the third sensing line **SSL3**) and a first end **991** of the touch display panel **70**. The area of the display portion **70a** between the first touch lines **TL1** and the first end **991** of the touch display panel **70** may be the first non-display area **B1**. The screen division unit **172** may set an area of the display portion **70a** between the second touch line **TL2** (e.g., the  $(n-3)$ -th sensing line **SSL $n-3$** ) and a second end **992** of the touch display panel **70**. The area of the display portion **70a** between the second touch lines **TL2** and the second end **992** of the touch display panel **70** may be the second non-display area **B2**. The screen division unit **172** may set an area of the display portion **70a** between the first touch line **TL1** and the second touch line **TL2**. The area of the display portion **70a** between the first touch line **TL1** and the second touch lines **TL2** may be the display area **A**. The first end **991** of the touch display panel **70** may be positioned inside a first roller housing **22**. The second end **992** of the touch display panel **70** may be positioned inside the second roller housing **32**.

A panel driver **180** may deactivate the first non-display area **B1**. According to an exemplary embodiment of the present invention, the panel driver **180** might not display an image in the first non-display area **B1**. For example, the data driver **111** of the panel driver **180** may turn off (e.g., turn off light emission in) pixels **PX** of the first non-display area **B1**. The data driver **111** of the panel driver **180** might not drive data lines positioned at the first non-display area **B1**. Referring to FIG. **12B**, the data driver **111** might not apply image data signals to first to fifth data lines **DL1**, **DL2**, **DL3**, **DL4** and **DL5** of the first non-display area **B1**. Accordingly, image data signals of pixels **PX** connected to the first to fifth data lines **DL1**, **DL2**, **DL3**, **DL4** and **DL5** may be discharged, for example, such that an image is not displayed in the first non-display area **B1**. Alternatively, the data driver **111** may apply a ground voltage (i.e., voltage of 0) to the first to fifth data lines **DL1**, **DL2**, **DL3**, **DL4** and **DL5**.

In order to deactivate the first non-display area **B1**, the panel driver **180** might not read touch sensing signals from touch sensing elements **TS**—positioned at the first non-display area **B1** of FIG. **12A**. For example, a sensor driver **161** of the panel driver **180** might not read touch sensing signals output from the touch sensing elements **TS** posi-



tioned at the first non-display area B1. Thus, the sensor driver 161 may ignore touch sensing signals output from the touch sensing elements TS positioned at the first non-display area B1. The sensor driver 161 might not read touch sensing signals from each of first and second sensing lines SSL1 and SSL2 connected to the touch sensing elements TS of the first non-display area B1. Accordingly, although the first non-display area B1 may be touched, touch sensing signals from the first and second sensing lines SSL1 and SSL2 may be ignored. Thus, the first non-display area B1 may be deactivated.

According to an exemplary embodiment of the present invention, when a position of the first touch line TL1 changes by rotation of a first roller 21, values of touch sensing signals applied from the first active touch sensing elements located on the first touch line TL1 may change. Thus, the sensor driver 161 may sense the changed touch sensing signals from the first active touch sensing elements. Since the first active touch sensing elements may be positioned at the display area A to maintain a driving state, the sensor driver 161 may sense a change in touch sensing signals from the first active touch sensing elements although the position of the first touch line TL1 changes. The sensor driver 161 may read touch sensing signals from the touch sensing elements TS of the first non-display area B1. The sensor driver 161 may also read touch sensing signals from the touch sensing elements TS of the display area A. Thus, the touch sensing elements TS of the first non-display area B1 resume operation. The sensor driver 161 may detect a changed position of the first touch line TL1, for example, using the touch sensing elements TS. The sensor driver 161 may reset the first non-display area B1, for example, according to the detected position of the first touch line TL1.

When the touch sensing elements (e.g.,  $m \times n$  number of touch sensing elements TS) provided in the touch display panel 70 are connected to different driving lines (e.g.,  $m \times n$  number of driving lines), respectively, the sensor driver 161 may stop the operation of the touch sensing elements TS of the first non-display area B1. For example, the sensor driver 161 might not apply driving signals to driving lines connected to respective touch sensing elements TS located at the first non-display area B1. For example, the sensor driver 161 might not apply driving signals to touch sensing elements TS connected to the first sensing line SSL1. The sensor driver 161 might also not apply driving signals to touch sensing elements TS connected to the second sensing line SSL2. Thus, touch sensing signals might not be generated from the touch sensing elements TS of the first non-display area B1.

According to an exemplary embodiment of the present invention, the touch sensing elements (e.g.,  $m \times n$  number of touch sensing elements TS) provided in the touch display panel 70 may be individually connected to different driving lines (e.g.,  $m \times n$  number of driving lines), respectively. The touch sensing elements may also be individually connected to different sensing lines (e.g.,  $m \times n$  number of sensing lines), respectively. Thus, the sensor driver 161 might not selectively apply driving signals to the touch sensing elements TS located at the first non-display area B1. The sensor driver 161 might also not selectively receive sensing signals from the touch sensing elements TS located at the first non-display area B1.

The panel driver 180 may deactivate the second non-display area B2. For example, the panel driver 180 might not display an image in the second non-display area B2. For example, the data driver 111 of the panel driver 180 may turn off (e.g., turn off light emission in) pixels PX of the second non-display area B2. As an example, the data driver 111

might not drive data lines located at the second non-display area B2. Referring to FIG. 12B, the data driver 111 might not apply image data signals to  $(j-3)$ -th to  $j$ -th data lines DL $_{j-3}$  to DL $_j$  of the second non-display area B2. Accordingly, image data signals of pixels PX connected to the  $(j-3)$ -th to  $j$ -th data lines DL $_{j-3}$  to DL $_j$  may be discharged. Thus, an image might not be displayed in the second non-display area B2. According to an exemplary embodiment of the present invention, the data driver 111 may apply a ground voltage (i.e., a voltage of 0) to the  $(j-3)$ -th to  $j$ -th data lines DL $_{j-3}$  to DL $_j$ .

Referring to FIG. 12A, in order to deactivate the second non-display area B2, the panel driver 180 might not read touch sensing signals from the touch sensing elements TS positioned at the second non-display area B2. For example, the sensor driver 161 of the panel driver 180 might not read touch sensing signals output from the touch sensing elements TS positioned at the second non-display area B2. Thus, the sensor driver 161 may ignore touch sensing signals output from the touch sensing elements TS positioned at the second non-display area B2. Accordingly, the sensor driver 161 might not read touch sensing signals from  $(n-2)$ -th,  $(n-1)$ -th and  $n$ -th sensing lines SSL $_{n-1}$ , SSL $_n$  and SSL $_n$  connected to the touch sensing elements TS of the second non-display area B2. Although the second non-display area B2 may be touched, touch sensing signals from the  $(n-2)$ -th,  $(n-1)$ -th, and  $n$ -th sensing lines SSL $_{n-1}$ , SSL $_n$  and SSL $_n$  may be ignored. Thus, the second non-display area B2 may be deactivated.

According to an exemplary embodiment of the present invention, when a position of the second touch line TL2 changes by rotation of a second roller 31, values of touch sensing signals applied from the second active touch sensing elements disposed on the second touch line TL2 may change. Accordingly, the sensor driver 161 may sense the changed touch sensing signals from the second active touch sensing elements. Since the second active touch sensing elements may be positioned at the display area A to maintain a driving state, the sensor driver 161 may sense a change in touch sensing signals applied from the second active touch sensing elements although the position of the second touch line TL2 changes. The sensor driver 161 may read touch sensing signals from the touch sensing elements TS of the second non-display area B2. The sensor driver 161 may read touch sensing signals from the touch sensing elements TS of the display area A. Thus, the touch sensing elements TS of the second non-display area B2 may resume operation. The sensor driver 161 may detect a changed position of the second touch line TL2 using the touch sensing elements TS. The sensor driver 161 may reset the second non-display area B2, for example, according to the detected position of the second touch line TL2.

When the touch sensing elements TS (e.g.,  $m \times n$  number of touch sensing elements) of the touch display panel 70 are individually connected to different driving lines (e.g.,  $m \times n$  number of driving lines), respectively, the sensor driver 161 may stop an operation of the touch sensing elements TS of the second non-display area B2. The sensor driver 161 might not apply driving signals to driving lines connected to respective the touch sensing elements TS positioned at the second non-display area B2. For example, the sensor driver 161 might not apply driving signals to each of touch sensing elements TS connected to the  $(n-2)$ -th sensing line SSL $_{n-2}$ , touch sensing elements TS connected to the  $(n-1)$ -th sensing line SSL $_{n-1}$ , and touch sensing elements TS connected to the  $n$ -th sensing line SSL $_n$ . Thus, touch sensing signals

might not be generated from the touch sensing elements TS of the second non-display area B2.

According to an exemplary embodiment of the present invention, the touch sensing elements (e.g.,  $m \times n$  number of touch sensing elements TS) of the touch display panel 70 may be individually connected to different driving lines (e.g.,  $m \times n$  number of driving lines), respectively. The touch sensing elements may also be individually connected to different sensing lines (e.g.,  $m \times n$  number of sensing lines), respectively. Accordingly, the sensor driver 161 might not selectively apply driving signals to the touch sensing elements TS positioned at the second non-display area B2. The sensor driver 161 might not selectively receive sensing signals from the touch sensing elements TS located at the second non-display area B2.

According to an exemplary embodiment of the present invention, the panel driver 180 may activate the display area A. For example, the panel driver 180 may display an image on the display area A. For example, the panel driver 180 may turn on (e.g., turns on light in) at least one pixel PX of the display area A. Referring to FIG. 12B, the data driver 111 of the panel driver 180 may drive data lines positioned at the display area A. For example, the data driver 111 may apply image data signals to the sixth to  $(j-4)$ -th data lines DL6 to DL $j-4$  positioned at the display area A.

The sensor driver 161 of the panel driver 180 may drive touch sensing elements TS positioned at the display area A. For example, the sensor driver 161 may apply driving signals to touch sensing elements TS connected to the third to  $(n-3)$ -th sensing lines SSL3 to SSL $n-3$  positioned at the display area A. The sensor driver 161 may receive touch sensing signals from the touch sensing elements TS.

FIG. 13 is a view illustrating widths of a first touch bar and a second touch bar of FIG. 4 according to an exemplary embodiment of the present invention.

Referring to FIG. 13, the first touch bar 121 may have a width W1. The width W1 may be of a size suitable to contact touch sensing elements TS of adjacent columns. For example, the first touch bar 121 may have the width W1. The width W1 may overlap the entirety of touch sensing elements TS in a first column connected to the third sensing line SSL3 and touch sensing elements TS in a second column connected to the fourth sensing line SSL4. According to an exemplary embodiment of the present invention, the first touch bar 121 may have a width of a size suitable to contact touch sensing elements TS of  $k$  number of columns, in which  $k$  may be a natural number greater than 2.

When the first touch bar 121 contacts touch sensing elements TS of a plurality of columns, the panel driver 180 may set the first touch line TL1 according to touch sensing elements TS on one of the plurality of columns. In addition, the panel driver 180 may set the first touch line TL1 according to touch sensing elements TS on at least two of the plurality of columns. Accordingly, a plurality of first touch lines TL1 may be set. An area between adjacent first touch lines TL1 may be set. The area between adjacent first touch lines TL1 may be the first non-display area B1.

Referring to FIG. 13, the second touch bar 122 may have a width W2. The width W2 may be a size suitable to contact touch sensing elements TS of adjacent columns. The width W2 may overlap the touch sensing elements TS in a first column connected to the  $(n-3)$ -th sensing line SSL $n-3$  and touch sensing elements TS in a second column connected to the  $(n-2)$ -th sensing line SSL $n-2$ . According to an exemplary embodiment of the present invention, the second touch bar 122 may have a width of a size suitable to contact touch sensing elements TS of  $k$  number of columns.

When the second touch bar 122 contacts touch sensing elements TS of a plurality of columns, the panel driver 180 may set the second touch line TL2 according to touch sensing elements TS on one of the plurality of columns. In addition, the panel driver 180 may set the second touch line TL2 according to touch sensing elements TS on at least two of the plurality of columns. Accordingly, a plurality of second touch lines TL2 may be set. An area between adjacent second touch lines TL2 may be set. The area between adjacent second touch lines TL2 may be the second non-display area B2.

FIG. 14 is a cross-sectional view taken along a line II-II' of FIG. 1 according to an exemplary embodiment of the present invention. FIG. 15 is an enlarged view illustrating a portion C of FIG. 14 according to an exemplary embodiment of the present invention. FIG. 16 is a configuration view illustrating a first light source unit of FIG. 14 according to an exemplary embodiment of the present invention.

Referring to FIGS. 14 and 15, the flexible display device 100 according to an exemplary embodiment of the present invention may include a first light source unit 181 alternatively to the first touch bar 121. Referring to FIG. 14, the flexible display device 100 according to an exemplary embodiment of the present invention may also include a second light source unit 182 alternatively to the second touch bar 122.

Referring to FIG. 16, the first light source unit 181 may have a long bar shape.

The first light source unit 181 may be positioned inside a first roller housing 22. For example, referring to FIGS. 14 to 16, the first light source unit 181 may be disposed between the first roller housing 22 and a touch display panel 70.

The first light source unit 181 may be disposed adjacent to a first opening 23.

The first light source unit 181 might not be in contact with the touch display panel 70.

Referring to FIG. 15, the first light source unit 181 may irradiate a light 222 to the touch display panel 70. For example, the first light source unit 181 may irradiate the light 222 to a surface of the touch display panel 70 on which a display portion 70a is positioned. As described in more detail below, the light 222 from the first light source unit 181 may be applied to light sensing elements positioned at the touch display panel 70.

Referring to FIGS. 15 and 16, the first light source unit 181 may have a slit 181a. The slit 181a may be defined on a surface of the first light source unit 181 facing the touch display panel 70. The slit 181a may be substantially parallel to a central axis 91 of a first roller 21. The light 222 from the first light source unit 181 may be selectively irradiated to light sensing elements in a column through the slit 181a.

The first light source unit 181 may irradiate a light having a predetermined relatively short wavelength. For example, the first light source unit 181 may emit an ultraviolet (UV) light.

The first light source unit 181 may cross the touch display panel 70. Accordingly, the first light source unit 181 may cross facing sides of the touch display panel 70. Thus, the first light source unit 181 may cross facing sides of sides defining the touch display panel 70. Herein, the facing sides may refer to sides having a curved shape, for example, while being rolled around the first roller 21 or a second roller 31.

The second light source unit 182 may have a long bar shape. The long bar shape may be similar to the long bar shape of the first light source unit 181.

The second light source unit 182 may be positioned inside a second roller housing 32. Referring to FIG. 14, the second

light source unit **182** may be disposed between the second roller housing **32** and the touch display panel **70**.

The second light source unit **182** may be disposed adjacent to a second opening **33**.

The second light source unit **182** might not be in contact with the touch display panel **70**.

The second light source unit **182** may irradiate a light to the touch display panel **70**. For example, the second light source unit **182** may irradiate the light to one of surfaces of the touch display panel **70** on which the display portion **70a** is positioned. As described in more detail below, the light from the second light source unit **182** may be applied to light sensing elements positioned at the touch display panel **70**.

The second light source unit **182** may have a slit. The slit may be defined on a surface of the second light source unit **182**, for example, facing the touch display panel **70**. The slit may be substantially parallel to a central axis **92** of the second roller **31**. The light from the second light source unit **182** may be selectively irradiated to light sensing elements in one column through the slit.

The second light source unit **182** may irradiate a light having a predetermined relatively short wavelength. For example, the second light source unit **182** may emit an ultraviolet (UV) light.

The second light source unit **182** may cross the touch display panel **70**. Accordingly, the second light source unit **182** may cross facing sides of the touch display panel **70**. Thus, the second light source unit **182** may cross facing sides of sides defining the touch display panel **70**. The facing sides may refer to sides having a curved shape, for example, while being rolled around the first roller **21** or the second roller **31**.

FIG. 17 is a configuration view illustrating a touch display panel of FIG. 14 according to an exemplary embodiment of the present invention.

Referring to FIG. 17, when the flexible display device **100** includes the first and second light sources **181** and **182**, the touch display panel **70** may further include a plurality of light sensing elements **261**.

The light sensing elements **261** may be positioned in a non-display portion **70b** of the touch display panel **70**. The light sensing elements **261** may be positioned corresponding to the touch sensing elements TS. For example, one of the light sensing elements **261** may be located on a substantially same column as a column on which a plurality of touch sensing elements TS are arranged in a line along one sensing line. For example, two light sensing elements **261**, respectively on opposite end portions of a first sensing line SSL1, may be positioned in a substantially same column as a column in which the touch sensing elements TS connected to the first sensing line SSL1 are positioned.

The light sensing elements **261** may be positioned corresponding to sensing lines SSL1 to SSLn connected to the touch sensing elements TS. For example, two light sensing elements **261** having the display portion **70a** therebetween may be disposed on an extension line of the first sensing line SSL1 positioned at the display portion **70a**.

The light sensing elements **261** may output light sensing signals in response to the light emitted from each of the first light source unit **181** and the second light source unit **182**. The light sensing elements **261** may react to a light of a predetermined relatively short wavelength from each of the first light source unit **181** and the second light source unit **182**. For example, the light sensing elements **261** may generate a light sensing signal solely in response to an ultraviolet (UV) light. According to an exemplary embodi-

ment of the present invention, the light sensing elements **261** might not react to visible light.

The light sensing signals from the light sensing elements **261** may be applied to the panel driver **180**.

The light sensing element **261** may be manufactured in substantially a same process as a switching element of the pixel PX. For example, the light sensing element **261** may be manufactured in substantially a same process as a process in which a data switching element Tr\_S or a driving switching element Tr\_D of the pixel PX is manufactured. Accordingly, an oxide semiconductor may be used as a semiconductor layer of the light sensing element **261**.

The panel driver **180** may divide the display portion **70a** of the touch display panel **70**. The panel driver **180** may divide the display portion **70a** of the touch display panel **70** into a display area and a non-display area, for example, according to positions of the light sensing elements **261** receiving light from each of the first light source unit **181** and the second light source unit **182**. The panel driver **180** may receive light sensing signals generated from the light sensing elements **261** irradiated with the light from each of the first light source unit **181** and the second light source unit **182**. The panel driver **180** may detect positions of the light sensing elements **261** irradiated with the light from the first light source unit **181**. The panel driver **180** may detect positions of the light sensing elements **261** irradiated with the light from the second light source unit **182**.

As the first light source unit **181** may have a relatively straight bar shape crossing the touch display panel **70**, the light sensing elements **261** irradiated with the light from the first light source unit **181** may be arranged in a line along the first light source unit **181**. As the second light source unit **182** may have a relatively straight bar shape crossing the touch display panel **70**, the light sensing elements **261** irradiated with the light from the second light source unit **182** may be arranged in a line along the second light source unit **182**.

A light sensing element **261** irradiated with light from the first light source unit **181** generating a light sensing signal may be referred as a first active light sensing element. A light sensing element **261** irradiated with light from the second light source unit **182** generating a light sensing signal is to be defined as a second active light sensing element.

The panel driver **180** may detect positions of the first active light sensing elements in the touch display panel **70**. The panel driver **180** may detect positions of the second active light sensing elements in the touch display panel **70**. Accordingly, the panel driver **180** may detect positions of the first active light sensing elements in the display portion **70a**. The panel driver **180** may detect positions of the second active light sensing elements in the display portion **70a**. The position of the first active light sensing element may refer to a position of the first active light sensing element in the display portion **70a**. The position of the second active light sensing element may refer to a position of the second active light sensing element in the display portion **70a**.

The panel driver **180** may divide the display portion **70a** of the touch display panel **70**. The panel driver **180** may divide the display portion **70a** of the touch display panel **70** into a display area and a non-display area according to the positions of the first active light sensing elements and the positions of the second active light sensing elements. The panel driver **180** may set an imaginary line TL1 (hereinafter "a first touch line") and an imaginary line TL2 (hereinafter "a second touch line"). The first touch line may pass through at least two of the first active light sensing elements. The second touch line may pass through at least two of the

second active light sensing elements. Thus, the panel driver **180** may assume a plurality of touch points between adjacent first active light sensing elements. The panel driver **180** may also assume a plurality of touch points between adjacent second active light sensing elements. The first touch line TL1 may cross the display portion **70a**. Accordingly, the first touch line TL1 may cross facing sides among sides defining the display portion **70a**. The second touch line TL2 may cross the display portion **70a**. Accordingly, the second touch line TL2 may cross facing sides of the display portion **70a**. The facing sides of the display portion **70a** may refer to sides having a curved shape, for example, while being rolled around the first roller **21** or the second roller **31**.

The panel driver **180** may divide the display portion **70a** of the touch display panel **70**. The panel driver **180** may divide the display portion **70a** of the touch display panel **70** into a display area and a non-display area, for example, according to the first touch line TL1 and the second touch line TL2.

The panel driver **180** may activate at least a portion of the display area. The panel driver **180** may deactivate the non-display area. As an example, the panel driver **180** may display an image in at least a portion of the display area. The panel driver **180** might not display an image in the non-display area. The panel driver **180** may drive the touch sensing elements TS<sub>n</sub> in the display area. The panel driver **180** may also stop the operation of at least one of the touch sensing elements TS in the non-display area.

The panel driver **180** may include a sensor driver **161**, a position determination unit **171**, a screen division unit **172**, a timing controller **163**, a gate driver **112**, a data driver **111**, and a power supply unit **168**.

The panel driver **180** may be positioned at the driving module unit **80**.

The sensor driver **161** may drive the touch sensing elements TS of the touch display panel **70**. The sensor driver **161** may read sensing results, i.e., touch sensing signals. The sensing results may be generated from the driven touch sensing elements TS. In addition, the sensor driver **161** may drive the light sensing elements **261** of the touch display panel **70**. The sensor driver **161** may read sensing results, i.e., light sensing signals. The sensing results may be generated from the driven light sensing element **261**.

The position determination unit **171** may detect positions of each of the first active light sensing elements and the second active light sensing elements, for example, according to the light sensing signals from the sensor driver **161**. The position determination unit **171** may set the first touch line TL1, for example, according to the positions of the first active light sensing elements. The position determination unit **171** may set the second touch line TL2, for example, according to the positions of the second active light sensing elements. Accordingly, the position determination unit **171** may calculate coordinates of each of the first touch line TL1 and the second touch line TL2.

According to an exemplary embodiment of the present invention, when different touch sensing signals are further applied from the sensor driver **161**, the position determination unit **171** may further detect coordinates of another touch point on the touch display panel **70** based on the touch sensing signals.

The screen division unit **172** may divide the display portion **70a** of the touch display panel **70**. The screen division unit **172** may divide the display portion **70a** of the touch display panel **70** into a display area and a non-display area, for example, according to the positions of the first active light sensing elements and the second active light

sensing elements. For example, the screen division unit **172** may divide the display portion **70a** of the touch display panel **70** into a display area and a non-display area based on the first touch line TL1 and the second touch line TL2. For example, the display portion **70a** of the touch display panel **70** may be divided into three areas A, B1 and B2.

FIG. **18** is a configuration view illustrating a touch display panel of FIG. **14** according to an exemplary embodiment of the present invention.

Referring to FIG. **18**, the touch display panel **70** may include a plurality of first light sensing elements **261** and a plurality of second light sensing elements **262**.

The first light sensing elements **261** may be positioned at a non-display portion **70b** of the touch display panel **70**. The first light sensing elements **261** may be substantially the same as the light sensing elements **261** of FIG. **17**.

The second light sensing elements **262** may be positioned at a display portion **70a** of the touch display panel **70**. The second light sensing elements **262** may be positioned corresponding to touch sensing elements TS. For example, one of the second light sensing elements **262** may be positioned in a substantially same column as a column in which a plurality of touch sensing elements TS are arranged in a line along one sensing line. Thus, the second light sensing element **262** may be positioned along one sensing line located at the display portion **70a**.

Referring to FIG. **18**, the number of the second light sensing elements **262** may be substantially equal to the number of the touch sensing elements TS.

Among second light sensing elements **262** and touch sensing elements TS located in one column, the second light sensing elements **262** may be located in odd-numbered rows and the touch sensing elements TS may be located in even-numbered rows. Among second light sensing elements **262** and touch sensing elements TS located in one column, the touch sensing elements TS may be located in odd-numbered rows and the second light sensing element **262** may be located in even-numbered rows.

The first light sensing element **261** and the second light sensing element **262** may be manufactured in a substantially same process as a process in which a switching element of a pixel PX is manufactured.

FIG. **19** is a configuration view illustrating a touch display panel of FIG. **14** according to an exemplary embodiment of the present invention.

Referring to FIG. **19**, the touch display panel **70** may include a plurality of first light sensing elements **261** and a plurality of second light sensing elements **262**.

The first light sensing elements **261** may be positioned at a non-display portion **70b** of the touch display panel **70**. The first light sensing elements **261** may be substantially the same as the light sensing elements **261** of FIG. **17**.

The second light sensing elements **262** may be positioned at a display portion **70a** of the touch display panel **70**. The second light sensing elements **262** may be substantially the same as the second light sensing elements **262** of FIG. **18**.

Referring to FIG. **19**, the number of the second light sensing elements **262** may be less than the number of touch sensing elements TS.

FIG. **20** is a view illustrating a method of driving a flexible display device including a light source unit and light sensing elements according to an exemplary embodiment of the present invention.

Referring to FIG. **20**, a light from the first light source unit **181** may be irradiated to each of first and second light sensing elements **261** and **262** (hereinafter, "first active light sensing elements"). The first and second light sensing ele-

ments **261** and **262** may be arranged in a line along a first vertical line. A light from the second light source unit **182** may be irradiated to each of first and second light sensing elements **261** and **262** (hereinafter, “second active light sensing elements”). The first and second light sensing elements **261** and **262** may be arranged in a line along a second vertical line. For example, the first active light sensing elements may be light sensing elements **261** arranged in a line along a third sensing line **SSL3**, and the second active light sensing elements may be light sensing elements **261** arranged in a line along an (n-2)-th sensing line **SSLn-2**.

A position determination unit **171** may set a first touch line **TL1**, for example, according to light sensing signals generated from the first active light sensing elements. The position determination unit **171** may set a second touch line **TL2**, for example, according to light sensing signals generated from the second active light sensing elements. Accordingly, the first touch line **TL1** may correspond to the third sensing line **SSL3**. The second touch line **TL2** may correspond to the (n-2)-th sensing line **SSLn-2**.

A screen division unit **172** may divide a display portion **70a** into a first non-display area **B1**, a display area **A**, and a second non-display area **B2**, for example, according to the first touch line **TL1** and the second touch line **TL2**.

Referring to FIG. **20**, the screen division unit **172** may set an area of the display portion **70a** between the first touch line **TL1** (e.g., the third sensing line **SSL3**) and a first end **991** of the touch display panel **70** as the first non-display area **B1**. The screen division **172** may set an area of the display portion **70a** between the second touch line **TL2** (e.g., the (n-2)-th sensing line **SSLn-2**) and a second end **992** of the touch display panel **70** as the second non-display area **B2**. The screen division **172** may set an area of the display portion **70a** between the first touch line **TL1** and the second touch line **TL2** as the display area **A**. Accordingly, the first end **991** of the touch display panel **70** may be positioned inside the first roller housing **22**. The second end **992** of the touch display panel **70** may be positioned inside the second roller housing **32**.

The panel driver **180** may deactivate the first non-display area **B1**. For example, the panel driver **180** might not display an image in the first non-display area **B1**. For example, a data driver **111** of the panel driver **180** may turn off (e.g., turn off light emission in) pixels **PX** of the first non-display area **B1**.

Referring to FIG. **12A**, in order to deactivate the first non-display area **B1**, the panel driver **180** might not read sensing signals from touch sensing elements **TS** located at the first non-display area **B1**.

The panel driver **180** may deactivate the second non-display area **B2**. For example, the panel driver **180** might not display an image in the second non-display area **B2**. For example, the data driver **111** of the panel driver **180** may turn off (e.g., turn off light emission in) pixels **PX** of the second non-display area **B2**.

Referring to FIG. **12A**, in order to deactivate the second non-display area **B2**, the panel driver **180** might not read touch sensing signals from touch sensing elements **TS** located at the second non-display area **B2**.

According to an exemplary embodiment of the present invention, the panel driver **180** may activate the display area **A**. For example, the panel driver **180** may display an image in the display area **A**. The panel driver **180** may turn on (e.g., turns on light in) at least one pixel **PX** of the display area **A**.

A sensor driver **161** of the panel driver **180** may drive touch sensing elements **TS** located at the display area **A**.

According to an exemplary embodiment of the present invention, the flexible display device **100** according to an exemplary embodiment of the present invention may include a first roller unit or a second roller unit. Accordingly, one end portion of the touch display panel may remain exposed to the outside. For example, when the flexible display device **100** according to an exemplary embodiment includes the first roller unit, a second end portion of the touch display panel may remain exposed to the outside. Such a flexible display device **100** may include one touch bar or one light source unit. A display portion of the touch display panel may be divided into a display area and a non-display area by the one touch bar or the light source unit.

According to one or more exemplary embodiments of the present invention, a non-display area that is hidden from the view of a user may be deactivated. Thus, an image might not be displayed in the non-display area. Additionally, touch sensing elements in the non-display area might not be driven.

Accordingly, a power consumption of the flexible display device may be reduced. Further, since the touch sensing elements in the non-display area might not be driven, touch error problems might not occur, for example, when an unintentional touch is applied to the non-display area.

Entry of foreign matters into the roller housing may be substantially reduced or prevented from entering the flexible display device by the touch bar or the light source unit.

While exemplary embodiments of the present invention have been illustrated and described with reference to the exemplary embodiments thereof, it will be apparent to those of ordinary skill in the art that various changes in form and detail may be made thereto without departing from the spirit and scope of the present invention as defined by the following claims.

What is claimed is:

1. A display device, comprising:

a touch display panel comprising a plurality of pixels and a plurality of touch sensing elements;

a roller around which at least a portion of the touch display panel is rolled;

a roller housing configured to receive the roller and having an opening configured to receive the touch display panel;

a touch bar disposed between the roller housing and the touch display panel, the touch bar contacting the touch display panel; and

a panel driver dividing a display portion of the touch display panel into a display area and a non-display area according to positions of touch sensing elements contacting the touch bar, and deactivating at least a portion of the non-display area,

wherein the touch bar crosses the display panel.

2. The display device of claim 1, wherein the touch bar is disposed adjacent to the opening.

3. The display device of claim 2, wherein the touch bar is disposed between the roller housing and the touch display panel, the touch bar being substantially parallel to a central axis of the roller.

4. The display device of claim 1, wherein the touch sensing elements are arranged in columns substantially parallel to a central axis of the roller, and the touch bar selectively contacts the touch sensing elements in at least one column.

5. The display device of claim 1, wherein the panel driver defines an area of the display portion of the touch display panel between the touch sensing elements contacting the

31

touch bar and a first end of the touch display panel disposed inside the roller housing as the non-display area.

6. The display device of claim 5, wherein the panel driver detects a touch line according to the positions of the touch sensing elements contacting the touch bar and defines an area of the display portion of the touch display panel between the touch line and the first end of the touch display panel disposed inside the roller housing as the non-display area.

7. The display device of claim 6, wherein when a touch line detected for a predetermined time moves toward a second end of the touch display panel, the panel driver defines an area between the detected touch line and the first end of the touch display panel as the non-display area.

8. The display device of claim 1, wherein the panel driver deactivates at least one pixel in the non-display area.

9. The display device of claim 8, wherein the panel driver turns off or turns off light emission in at least one pixel in the non-display area.

10. The display device of claim 1, wherein the panel driver deactivates at least one touch sensing element in the non-display area.

11. The display device of claim 10, wherein the panel driver turns off at least one touch sensing element in the non-display area.

12. The display device of claim 1, wherein the panel driver does not display an image on at least a portion of the non-display area.

13. The display device of claim 1, wherein the touch bar extends in a first direction crossing a second direction in which the display panel moves, and the touch bar crosses two sides of the display panel, the two sides facing each other in the first direction.

14. The display device of claim 1, wherein the plurality of touch sensing elements is arranged in a plurality of rows and columns, and when a predetermined number of touch sensing elements in a column of a total number of touch sensing elements in the column contact the touch bar, the panel driver determines that all the touch sensing elements in the column are in contact with the touch bar.

32

15. A display device, comprising:  
a touch display panel comprising a plurality of pixels and a plurality of touch sensing elements, wherein at a least a portion of the touch display panel is rolled around each of a first roller and a second roller;

a first roller housing configured to receive the first roller and having a first opening configured to receive the touch display panel;

a second roller housing configured to receive the second roller and having a second opening configured to receive the touch display panel;

a first touch bar disposed between the first roller housing and the touch display panel, the first touch bar contacting the touch display panel, wherein the first touch bar extends from a first end of the first roller to a second end, opposite the first end, of the first roller in a direction parallel to a central axis of the first roller;

a second touch bar disposed between the first roller housing and the touch display panel, the second touch bar contacting the touch display panel; and

a panel driver dividing a display portion of the touch display panel into a display area and a non-display area according to positions of touch sensing elements contacting each of the first touch bar and the second touch bar, wherein the panel driver deactivates at least a portion of the non-display area.

16. The display device of claim 15, wherein the first touch bar is disposed adjacent to the first opening, and the second touch bar is disposed adjacent to the second opening.

17. The display device of claim 15, wherein the first touch bar is disposed between the first roller housing and the touch display panel, and the second touch bar is disposed between the second roller housing and the touch display panel, the second touch bar being substantially parallel to a central axis of the second roller.

18. The display device of claim 15, wherein the panel driver deactivates at least one pixel or at least one touch sensing element in the non-display area.

19. The display device of claim 18, wherein the panel driver deactivates at least one pixel, and the panel driver turns off or turns off light emission in the at least one pixel in the non-display area.

\* \* \* \* \*