

DEUTERIUM ARC LAMP - P737

UV Light Source for Spectroscopy – 2.5 volt

Instrument

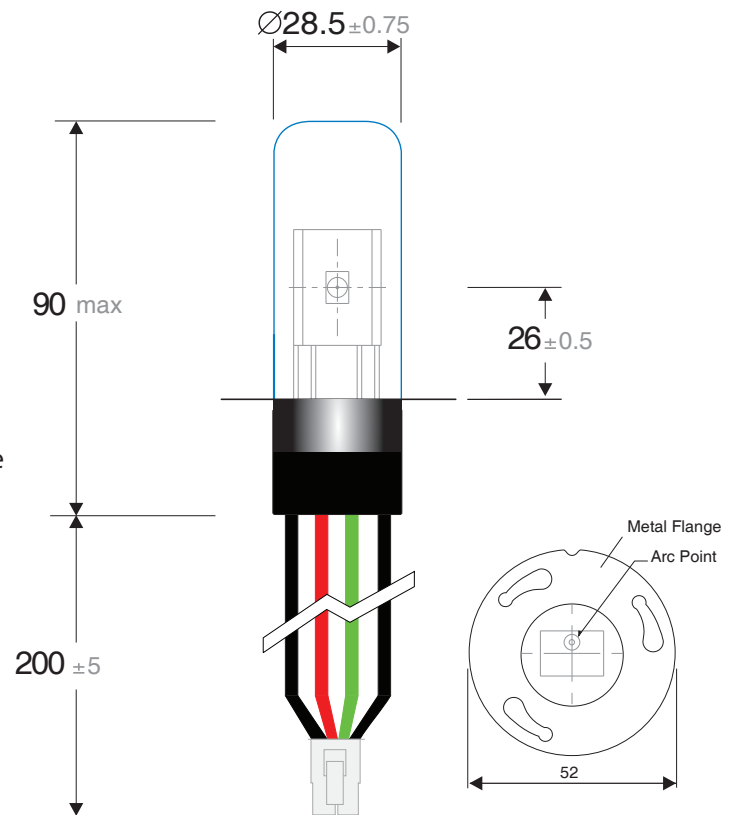
Thermo-Fisher Solar S4

Electrical

| | | |
|-------------------------|-----------|--------------------|
| Filament/Heater Voltage | Start | 2.5 VDC |
| | Operating | 1.5~2.0 VDC |
| Filament/Heater Current | | 4.5A Max |
| Discharge/Arc Voltage | Strike | @25° > 350VDC |
| | Operating | 60 - 90 VDC |
| Discharge/Arc Current | | 10 - 300mA |
| Leads | Black | Filament & Cathode |
| Terminals | Red | Anode |
| | Green | Can |
| | | 4 pin housing |

Optical

| | |
|------------------|---------------------------------------|
| Window | UV Transmitting Borosilicate |
| Aperture type | 1mm Circular |
| Wavelength range | 185nm - 400nm |
| Noise | < 1×10^{-4} Absorption units |
| Drift | < 3×10^{-3} Absorption units |



Dimensions in millimetres

Operational life

When radiant energy reaches 50% of the initial energy. Typical life 2000 hours

Deuterium lamps are guaranteed for a period of one year from date of delivery or 2000 hours usage, which ever comes first.

Warranty

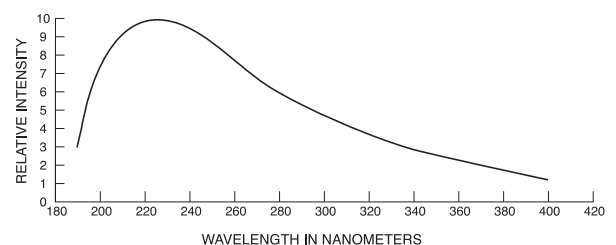
Free of charge replacement lamp will be provided where Photron is satisfied the following conditions have been adhered to.

- Lamp is returned to supplier freight paid.
- Lamp has been operated within our recommended specifications.
- Lamp has not failed due to accidental, misuse or transit damage.
- If a replacement lamp is supplied the validity of guarantee shall commence from delivery date of original lamp.

Precautions for use

- Do not subject the lamp to mechanical shock.
- Ensure glass envelope is free from foreign material. Lamp may be wiped using alcohol liquid.
- Caution! UV transmitting window is very thin. Handle with care.
- Care must be taken not to contact lamp with bare hand, temperature can reach over 200°C during operation.
- UV Radiation is harmful to eyes. Do not observe light output directly.
- Deuterium lamps operate at high voltages. Extreme caution is required to prevent electrical shock.

Spectrum of Deuterium Emissions



PHOTRON PTY. LTD.
LIGHTEN YOUR HORIZON

Unit 1, 4 Deblin Drive, Narre Warren, Victoria, Australia 3805
Tel: 6-13-9704-9944
sales@photron.com.au
www.photronlamp.com