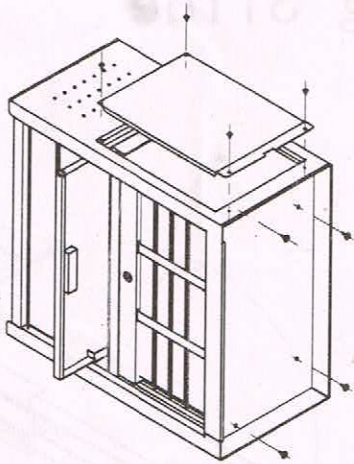


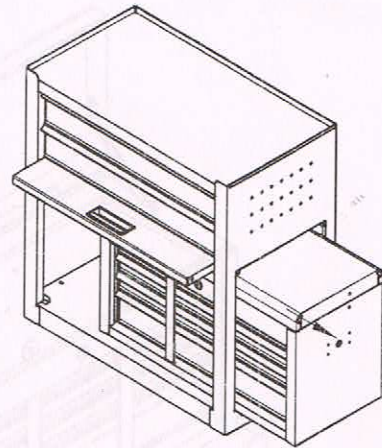
### 1 REMOVE SIDE PANEL

Remove screws with a screwdriver.

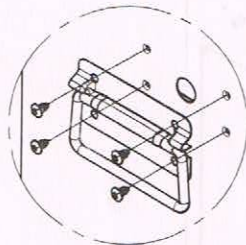
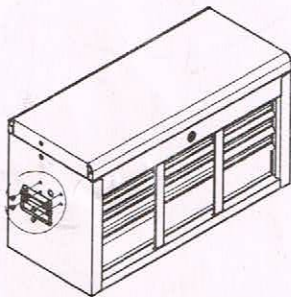


### 2 REMOVE CHEST

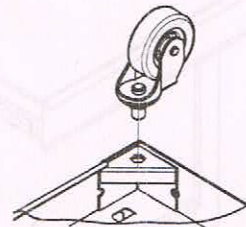
Place cabinet on a level surface. Slowly remove chest from the cabinet.



### 3 HANDLE ASSEMBLY



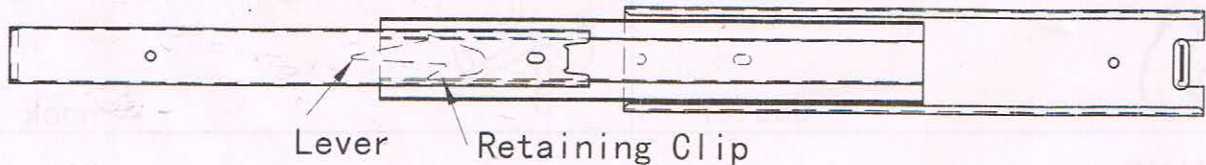
### 4 CASTER ASSEMBLY



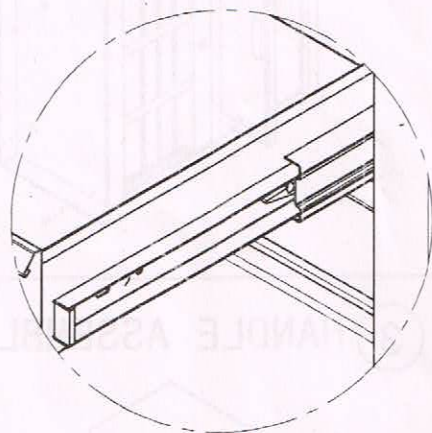
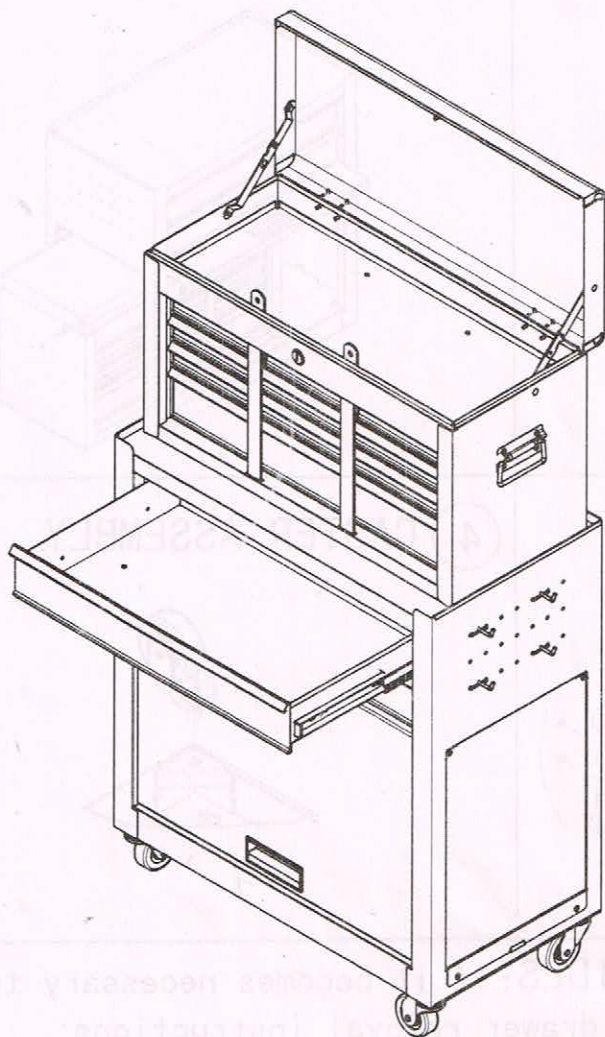
**BALL BEARING DRAWER SLIDES:** If it becomes necessary to remove drawers, follow these drawer removal instructions:

A) Ball bearing slides have black retaining clips. To remove drawer, the retaining clips need to be released by pushing lever up or down simultaneously, and pulling drawer out.

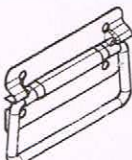



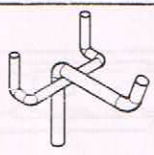
B) To re-install drawers, simply place drawer onto slides and push in fully.



# 8 Drawer Storage Combo With Ball Bearing Slide



## PARTS INCLUDED:

		Screw ST5X12--4
Handle--2		Screw ST4X8--8
		Hook--4
Caster--4		

## WARNING

- A) Do not open more than one loaded drawer at a time.
- B) The maximum loading capacity is 70kgs (154 lbs) .