

J.S.T. MEDICAL

MEDICAL + DENTAL + VETERINARY

INSTALLATION REQUIREMENTS for MELAG Melatherm 10

Models covered are the DTA & DTB

These units require the correct location and services to ensure the correct functioning of these units. The services listed below are to be provided by trades other than the Washer Disinfector installing and commissioning company.

Services required.

Cold Water:

We require a cold water tap (example below) to be supplied for connection of cold water to the MELAtherm 10. The water pressure range is 2 -4 bars at a flow rate of 4.4 L/Minute. The maximum static pressure is 10 bar. Water quality is to be of drinking ability. The outlet thread of the tap is to be 20 mm BSP. This valve is to be supplied below the bench and is to be within 1 meter of the steriliser.



Comes with a 1.80 m hose length or a 3 m extension hose can be ordered (Art. no. 24933)

We strongly recommend adding a [water stop valve](#) to the installation.

Drain:

The Melatherm can be connected to a separate wall drain or a present sink drain*. The discharge temperature does not exceed 80°C. The drain hose is 1.80 m long and the present waste water hose can be replaced by a 4 m long one (ordered separately)

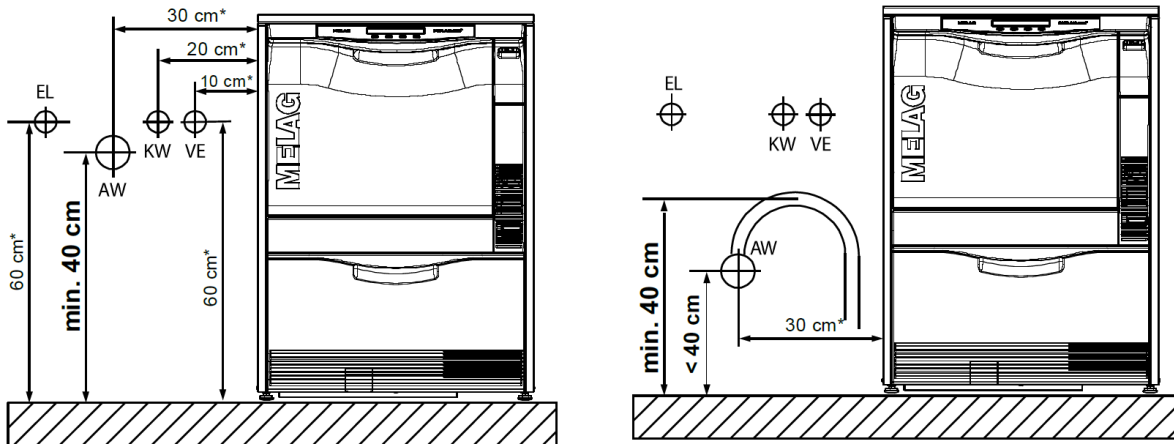
This drain is to be located on either side of the unit. The pictures below show an example for layout of the services. Must be a minimum of 40cm from the base of the unit.

MELAG

Installation free-standing or as under-desk unit

Table 1: Requirements to construction-side waste water connection for an under-desk unit or free-standing

Connection height	Possible	Remarks
0.4 – 1 m	Yes	---
< 0.4 m	Yes	Displacement in a curve to at least 0.4 m height



*recommended

EL – Mains power in. AW – Drain. KW – Meladem 53 water line in. VE – Tap Water

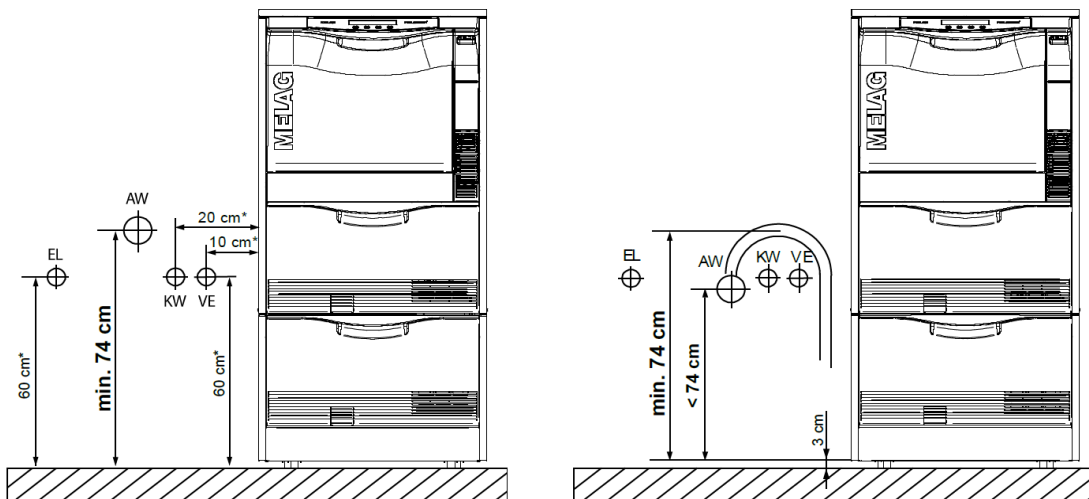
Also observe the following notes:

- The cold water inflow hose and the DI water inflow hose and the waste water hose may not be shortened or damaged in any way.
- The dirt filter in the cold water inflow hose aqua-stop valve may not be removed.

Installation as a cabinet device

Table 2: Requirements to construction-side waste water connection for a top-frame device

Connection height	Possible	Remarks
Min. 0.74 m	Yes	---
< 0.74 m	Yes	Displacement in a curve to at least 0.74 m height



*recommended

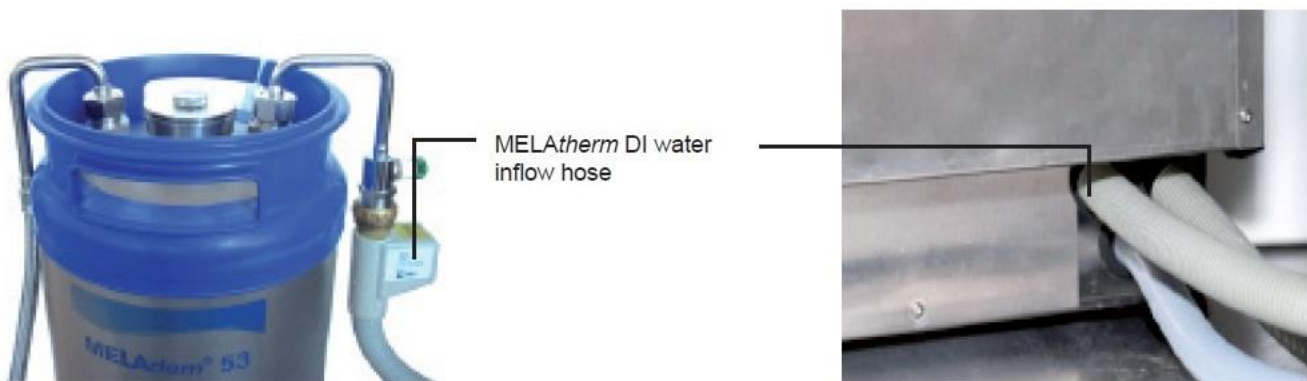
Cabinet design:

Space required in cabinetry for the MELAtherm 10 is a minimum 600mm wide and 820mm high or 840mm with stainless steel top cover plate. **The depth of the unit is 600mm.** The MELAtherm 10 must be seated directly on the floor and not on a step or rise of any sort to allow easy removal for servicing.

When connecting to a MELAdem 53, the additional space required in the adjacent cupboard is \varnothing 240mm x 570mm (615mm including connection bend).

Meladem 53 Connection:

Please look at install requirements for the Meladem 53 separately. The Meladem 53 does need to be close to the Melatherm for connection. NOTE: There needs to be an adequate sized hole for the inlet hose connection with a solenoid to go through to the Meladem 53 as per the photo below



1.80 m inlet hose length and a 3 m extension hose can be ordered (Art. no. 24933)

Electrical Connection:

The power supply to MELAtherm 10 DTA is to be a 3 phase 20 Amp dedicated circuit. The outlet is to be under bench within 50cm of the MELAtherm and not directly behind the MELAtherm. We recommend using an IP67 CEE Switched Socket (Interlocked) Outlet Red 415V 5 Pin 16A 6H

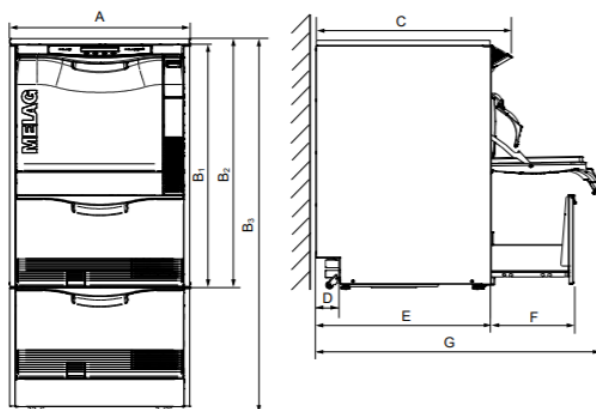


The power supply to MELAtherm 10 DTB to be a 15 Amp dedicated circuit. The outlet is a 15Amp GPO (general purpose outlet). This GPO is to be under bench within 50cm of the MELAtherm and not directly behind the MELAtherm.

Ethernet connection:

The unit has the ability to communicate with a network system should this option be needed for tracking or downloading of records to a network. The unit is supplied standard with an Ethernet point and requires a Cat 5 point to enable networking.

Space required:



		Under-desk unit	Free standing	Top-frame device
Width	A	59.8 cm	59.8 cm	59.8 cm
Height	B	B1 = 81.8 cm	B2 = 83.6 cm	B3 = 124 cm
Depth (with display)	C	67.8 cm	67.8 cm	67.8 cm
	D	8.2 cm	8.2 cm	8.2 cm
(Without display)	E	59.1 cm	59.1 cm	59.1 cm
	F	28.5 cm	28.5 cm	28.5 cm
	G	96.1 cm	96.1 cm	96.1 cm
		The space demand is at least 60 cm width, 60 cm depth and 82 cm height. If the device is installed in an L-shaped corner, drawers to the left or right of the device may be blocked and cannot open.	Standing freely in the room using the optional stainless steel cover plates, e.g. next to already-present floor units in your practice.	This enables a particularly ergonomic operation and loading of the device. Serves as storage space, e.g. for up to 6 cans with 5 litres each The stainless steel cover plate can be used additionally

Additional space demands when using a water treatment unit:

Space for a water treatment unit to be connected to the device water connection could become necessary. If the device is to be installed as a floor unit, this should be placed in an adjacent floor unit. Space requirements for the MELAdem[®]53: Ø24 x 57 cm (DxH) and some space above the MELAdem[®]53 for clear access to the hose connections.

General Notes:

There are several options of printers these being log printers and bar code label printers. For any electrical accessories chosen we require a standard 10 Amp GPO to be provided for these accessories. We suggest a double GPO is provided within 50 cm of the steriliser for accessories.

The Melatherm requires [Salt](#) on installation and periodically through its life. We recommend buying local as its cheaper on freight.

The units must be serviced annually to meet the requirements of AS/NZS 4187. Consideration must be given to the space required so that technician can service the units efficiently thus reducing the downtime when servicing is required. Melag units can be repaired and serviced on site and do not require removal to effect repairs except in very rare occasions.

For technical assistance please contact James on 021667987 or email info@jstmedical.co.nz

J.S.T. MEDICAL

MEDICAL + DENTAL + VETERINARY

MELAG