

EASY-PEASY-LEMON-SQUEEZY
FRAME PACK FIT-O-MATIC™

YOU WILL NEED THE FOLLOWING:

- | | |
|-------------------------------------|--|
| 1) SCISSORS | 6) A WORKING PRINTER |
| 2) CLEAR TAPE | 7) A BIKE OR 2 IN NEED OF A FRAME PACK |
| 3) RULER OR TAPE MEASURE | 8) COLD BEER* |
| 4) PIECE OF CARDBOARD OR CARD STOCK | 9) SPRAY ADHESIVE* |
| 5) 8.5" x 11" PAPER | 10) GLUE STICK* |

INSTRUCTIONS:

HAVE A SIP OF BEER.*

SELECT 8.5 x 11 PORTRAIT MODE TO PRINT THIS PDF.

PRINT ALL PAGES AT 100% - BE SURE NOT TO SCALE.

TAPE TOGETHER PAGES 2, 3, 4 USING MARKS TO ALIGN.

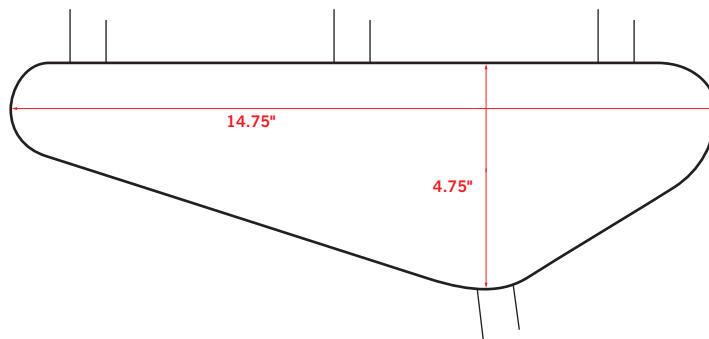
DOUBLE CHECK MEASUREMENTS BEFORE TESTING FIT.

OPTIONAL: THE PAPER TEMPLATE WORKS GREAT, BUT IF YOU WANT A MORE RIGID MODEL, PASTE TAPED-TOGETHER PIECES TO A PIECE OF CARDBOARD OR CARDSTOCK USING SPRAY ADHESIVE FOR A GLUE STICK.*

CUT-OUT THE BAG SHAPE TO CREATE TEMPLATE TO DETERMINE BIKE FIT.

GOOD LUCK FRIEND.

* optional items & steps, but helpful



USE THIS IMAGE AS A GUIDE FOR YOUR FINAL TEMPLATE. DOUBLE CHECK THE BAG'S ACTUAL MEASUREMENTS AGAINST YOUR FINAL TEMPLATE.



E-MAIL US A PHOTO OF YOU USING THIS TEMPLATE AND WE'LL GIVE YOU A HIGH-FIVE. E-MAIL US A PHOTO OF YOU USING THIS TEMPLATE AND A PHOTO OF YOUR INSTALLED FRAME PACK ON YOUR BIKE AND WE'LL SEND YOU A SPECIAL "BROS" HOOK-UP. GOOD LUCK. SEND SUBMISSIONS TO: banjobrothers.warrantydude@gmail.com



SMALL FRAME PACK #01063

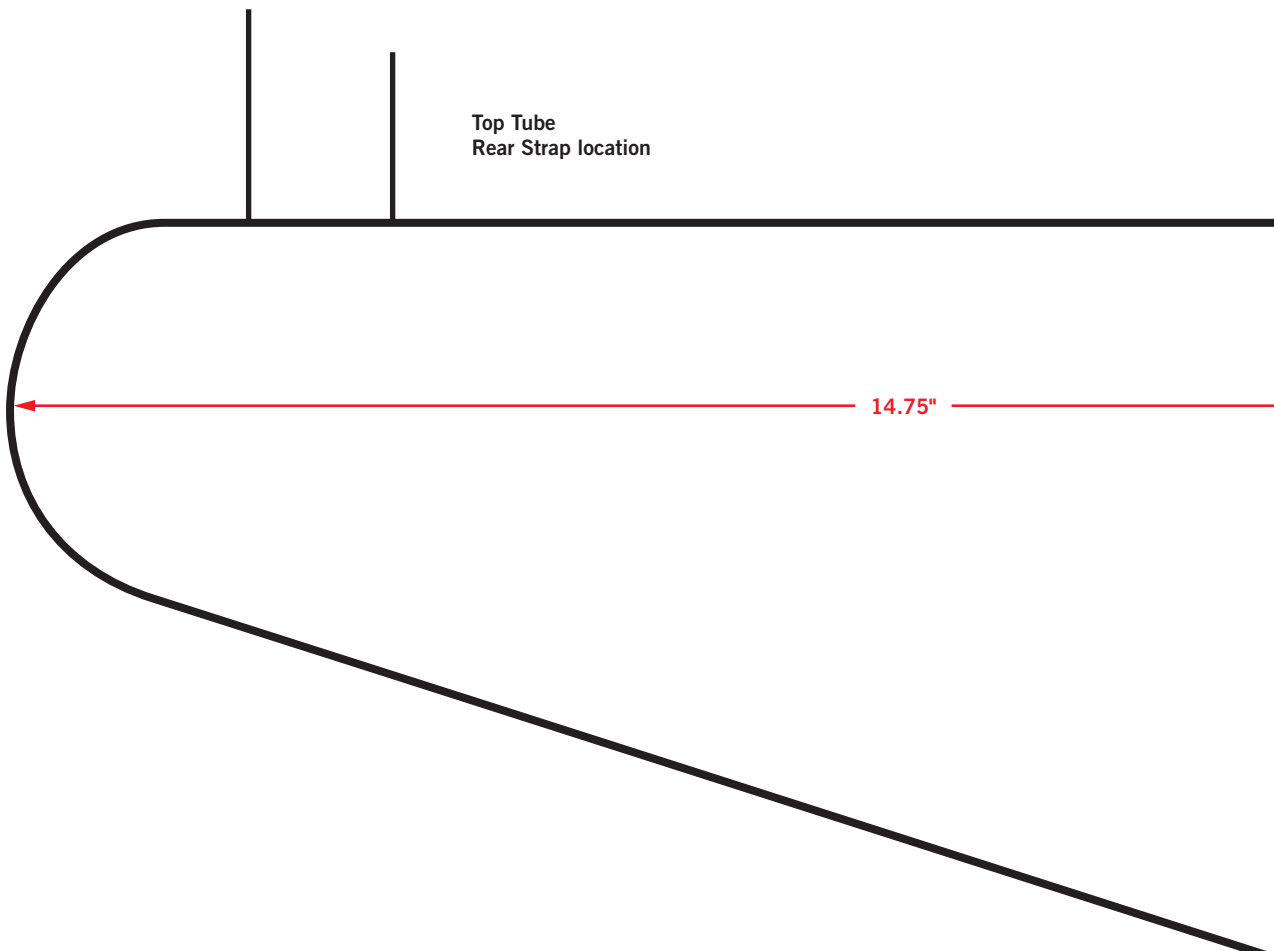
Weight: 11 oz.

Dimensions: 14.75" L x 4.75" H x 1.75" W

Capacity: 70 cubic inches / 1.1 liters

Cut-to-length straps fit oversized tubes to 3" diameter

Align left edge
of Pg 3 here →



Align left edge
of Pg 3 here →

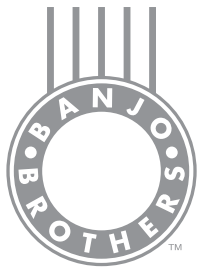
Align right edge of Pg 2 here

Align left edge of Pg 4 here

Top Tube Center Strap location

Top Tube Front Strap location

Cut out bag shape to determine proper frame fit



BANJO BROTHERS SMALL FRAME PACK #01063

Fit Tips: Banjo Brothers Frame Packs can be installed a couple of different ways; fat end of the bag toward the seat, or fat part toward the head tube, depending on your frame configuration.

4.75"

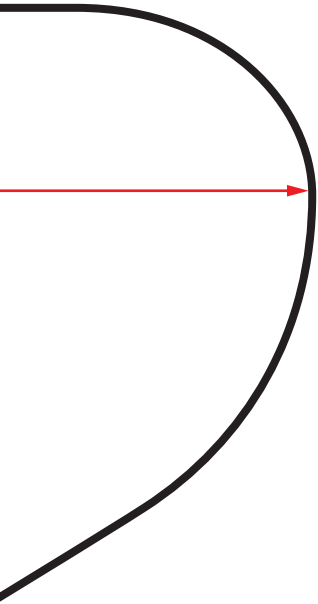
Down Tube Strap location

Align right edge of Pg 2 here

Align left edge of Pg 4 here

Align right edge
of Pg 3 here

Top Tube
Front Strap location



Align right edge
of Pg 3 here