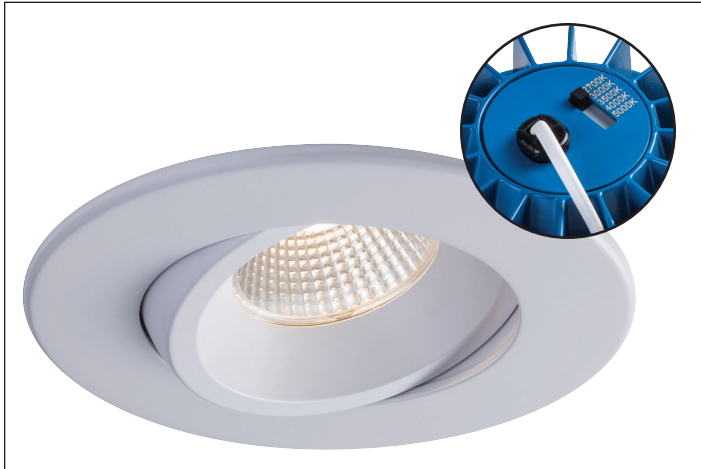


TL4-12RG-90

4" RETINA PRO, CCT Selectable

TRENZ™
LIGHTING

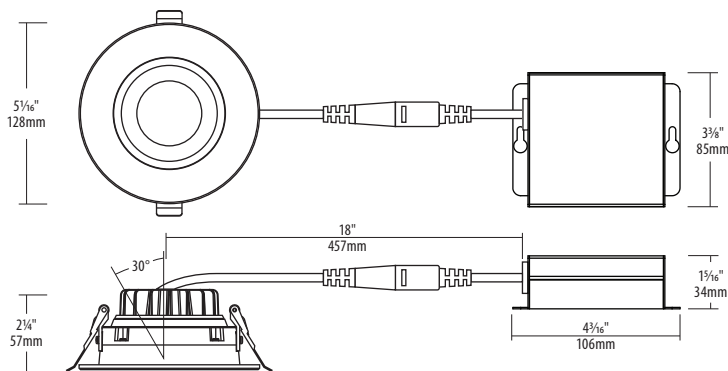


Description

Evolved to be a flexible, low-glare, and aesthetically pleasing luminaire, the RETINA PRO offers contractors, builders, homeowners and designers, a fixture with regressed optics and color selectable CCT abilities, to promote on-site flexibility, while enhancing sleek, directional lighting in both commercial and residential spaces.

TECHNICAL DATA	
Application	Ceiling Recess Mount
Approved Location	Wet / Insulated Ceiling
Beam Angle	38°
CCT	2700 K / 3000 K / 3500 K / 4000 K / 5000 K (via CCT switch)
Certification	cETLus
Class II	Yes
Color	White
CRI	90
Dimming	Yes
Dimming Technology	Forward/reverse-phase / TRIAC / ELV
Input	100-135V AC, 60 Hz
Lumens	850
Lumens per Watt	71
Power Factor	>0.9
Projected Lumen Maintenance	70% @ 50,000 hours
Warranty	Lifetime
Wattage	12W

Notes: Due to our continued efforts to improve our products, product specifications are subject to change without notice.



Features

Body

Durable airtight aluminum body with adjustable regressed gimbal. Includes anodized blue heat sink to provide maximum airflow for the LED light source.

LED Characteristics

This general application light fixture features a 12 watt LED module that maintains intensity producing up to 850 lumens; with a typical CRI of 90. On-fixture color selectable switch allows switching between 2700 K, 3000 K, 3500 K, 4000 K and 5000 K color temperatures.

Dimming

100%-10% dimming capability. This fixture is compatible with industry standard forward-phase / reverse-phase and TRIAC/ELV dimmers (contact factory for listing of compatible dimmers).

Beam Spread

The fixture lens provides 38° beam spread.

Mounting

Includes two spring loaded clips to attach to any ceiling material. The slim profile allows to be mounted in spaces where conventional recessed lighting is not an option.

LED Driver

Extruded aluminum hardwire box with 300mA dimmable class II electronic LED driver with 100-135V AC input. Includes an 18" FT6 rated cable with DC 2.1 connector between driver and fixture approved for use in plenums and suspended ceilings.

Quick Connect Push-in Terminals

Three "Quick Connect" push-in terminals for fast and easy wiring.

Operating Temperature

-40°C~40°C (-40°F~104°F).

Environment

Suitable for wet locations.

Suitable for insulated ceiling applications.

Airtight



A division of
Une division de

LITELINE CORPORATION
P 416-996-1856 | 1-866-730-7704
F 905-709-5255 | 1-888-738-9736