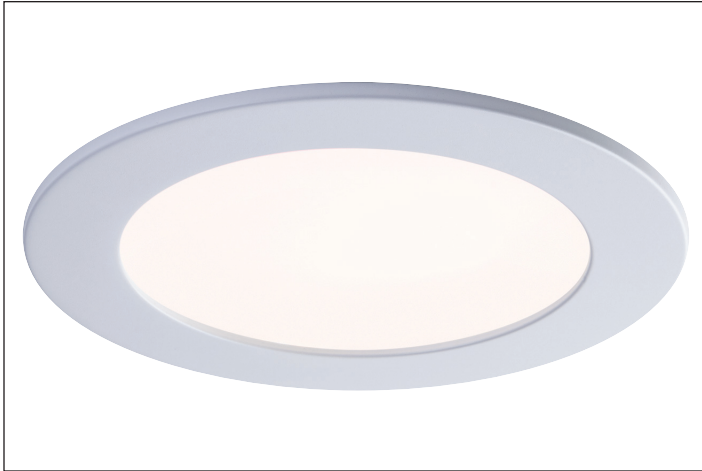


TL-SLM6-CCT5

6" THINLED PRO, CCT Selectable



Features

Body

Durable airtight aluminum body with UV stable paint and white PMMA diffuser lens for low glare. Includes silicone gasket for wet location applications. Interchangeable magnetic trim.

LED Characteristics

This general application light fixture features a 16 watt LED module that maintains intensity producing up to 1150 lumens; with a typical CRI of 90. Available with 5 step CCT switch (2700 K, 3000 K, 3500 K, 4000 K, 5000 K).

Dimming

100%-10% dimming capability. This fixture is compatible with industry standard TRIAC/ELV dimmers (contact factory for listing of compatible dimmers).

Beam Spread

The fixture lens provides 110° beam spread.

Mounting

Includes two spring loaded clips to attach to any ceiling material. The slim profile allows to be mounted under joists or duct work.

LED Driver

Extruded aluminum hardwire box with 370mA dimmable class II electronic LED driver with 100-135V AC input. Includes an 18" wire with DC 2.1 connector from driver to fixture.

Quick Connect Push-in Terminals

Three "Quick Connect" push-in terminals for fast and easy wiring.

Operating Temperature

-40°C~-40°C (-40°F~104°F).

Environment

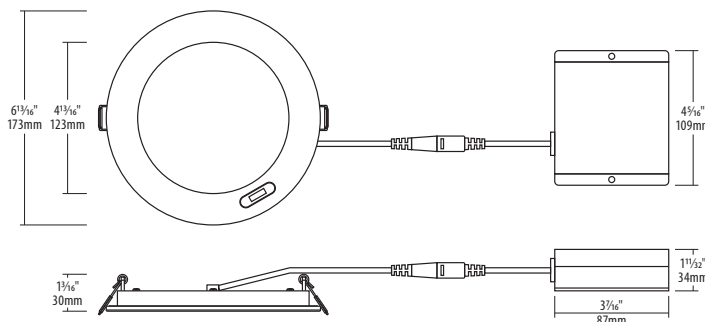
Suitable for wet locations. Suitable for insulated ceiling applications.

Description

6" Slim profile light fixture for recess retrofit applications in wet locations. It is a high performance, easy to install residential grade downlight solution that offers good light output, energy-efficient and streamlined design with interchangeable color trims and CCT selecting switch. Suitable for wet locations.

TECHNICAL DATA	
Application	Ceiling Recess Mount
Approved Location	Wet / Insulated Ceiling
Beam Angle	110°
CCT	2700 K / 3000 K / 3500 K / 4000 K / 5000 K (via CCT switch)
Certification	cETLus
Class II	Yes
Color	White (other accessory colors available)
CRI	90
Dimming	Yes
Dimming Technology	Forward/Reverse phase / TRIAC / ELV
Input	100-135V AC, 60 Hz
Lumens	Up to 1150
Lumens per Watt	Up to 74
Power Factor	>0.9
Projected Lumen Maintenance	70% @ 50,000 hours
Warranty	Lifetime
Wattage	16W

Notes: Due to our continued efforts to improve our products, product specifications are subject to change without notice.



Accessories



TL-SLM6-RT-BK
Black round faceplate.



TL-SLM6-RT-BN
Brushed Nickel round faceplate.



A division of
Une division de

LITELINE CORPORATION
P 416-996-1856 | 1-866-730-7704
F 905-709-5255 | 1-888-738-9736