

Features

Body

The LED edge light features a lightweight aluminum frame, designed to prevent light leakage. The frame houses three layers, LED chips, a light guide and an opal PMMA lens for soft illumination.

LED Characteristics

Bright LED modules that maintains uniform intensity producing up to 5,500 lumens; with a typical CRI of 80+. User selectable 3000 K, 3500 K or 4000 K color temperature via driver box dip switch for standard driver. Lutron® and Dali drivers require color temperature specification.

Dimming

100%-10% dimming capability. This fixture is compatible with industry standard 0-10V Triac dimmers (contact factory for listing of compatible dimmers).

Beam Spread

The fixture lens provides 110° beam spread.

Mounting

Easy mounting in T-bar ceilings with standard dimensions of 1x4, 2x2 and 2x4.

LED Driver

Trenz proprietary driver technology provides auto-sensing 120V, 50/60Hz input. Standard driver box contains user selectable switch to control color temperature. Driver power factor is 0.95 min with less than 20% THD. cULus listed Class 2 Class P driver enclosed with four 7/8" knockouts suitable for 1/2" trade conduits branch wiring (2 in and 2 out) #12 AWG.

Quick Connect Push-in Terminals

Three "Quick Connect" push-in terminals for fast and easy wiring.

Operating Temperature

-20°C~40°C (-4°F~104°F)

Environment

For indoor only, suitable for damp locations.

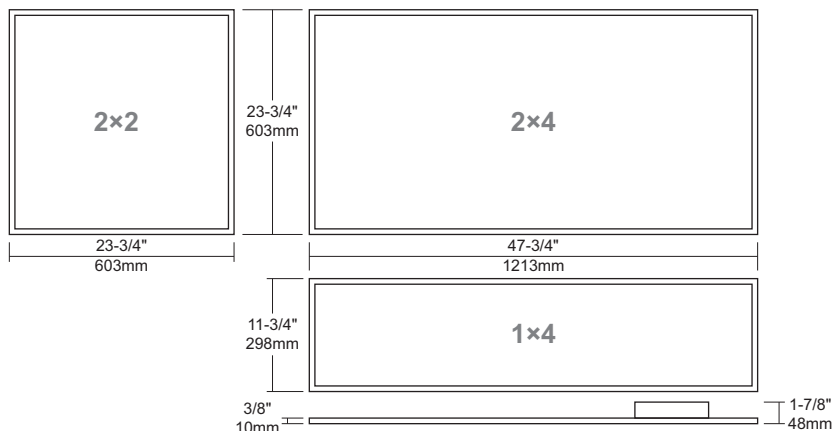
Description

The LED edge lights are designed to provide a modern alternative from traditional troffers. Elegantly designed for even light across the entire fixture. Suitable for use in commercial and residential applications.

TECHNICAL DATA	
Application	Drop-Ceiling Mount
Approved Location	Damp
Beam Angle	110°
CCT	3000 K / 3500 K / 4000 K (User selectable)
Certification	cETLus
Class II	Yes
Color	White
CRI	80+
Dimming	Yes
Dimming Technology	TRIAC/ELV
Energy Star	Yes
Input	120V AC
LM79	Yes
LM80	Yes
Lumens	Up to 5500
Power Factor	>0.95
Projected Lumen Maintenance	70% @ 50,000 hours
Warranty	Lifetime
Wattage	40W (1x4 & 2x2) / 50W (2x4)

Wattage	Size	Colour Temp		
		3000 K	3500 K	4000 K
40W	1x4	3,600 lumens	4,000 lumens	3,600 lumens
40W	2x2	4,000 lumens	4,400 lumens	4,000 lumens
50W	2x4	5,000 lumens	5,500 lumens	5,000 lumens

Notes: Due to our continued efforts to improve our products, product specifications are subject to change without notice.



Accessories



TL-LEDP-CLIPS
ThinLED recessed mount clips, 4-pack

