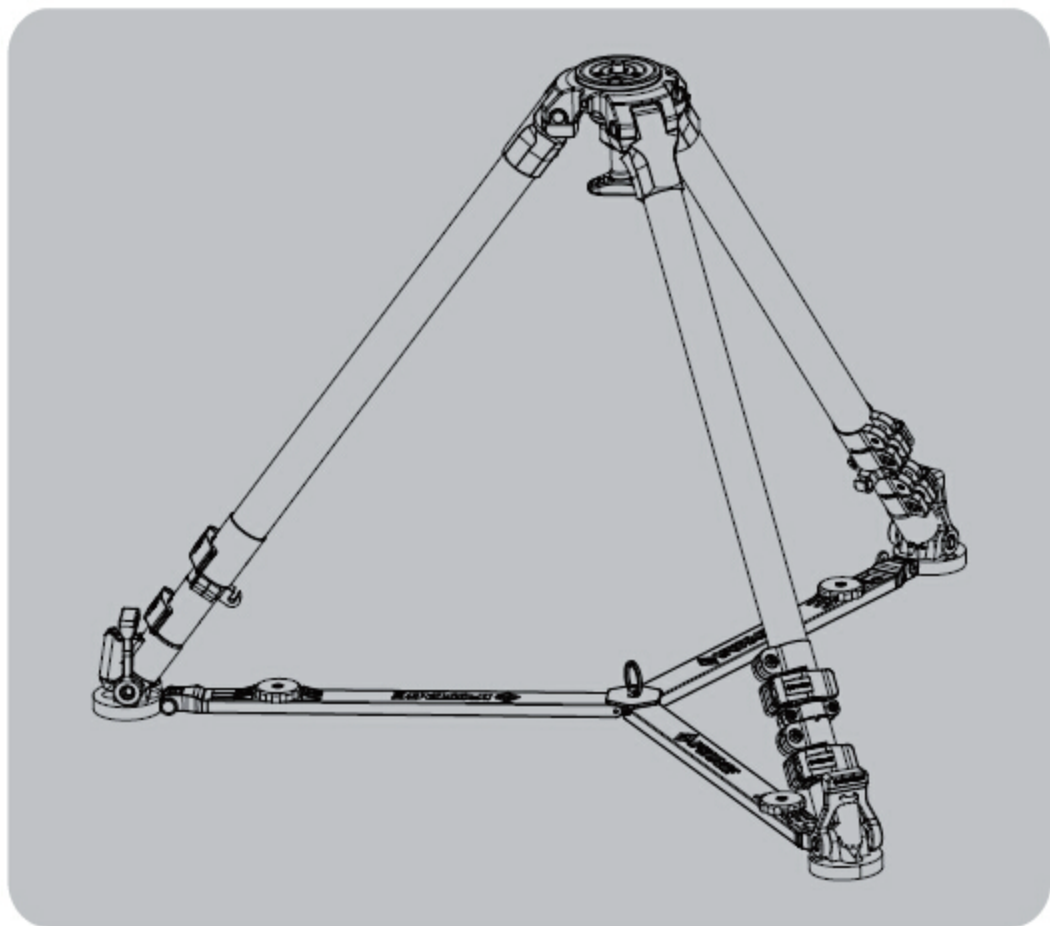


Wild Bull Tripod T5/T7 Instruction manual



 **IFOTAGE**®

DK0341001

Content

■ FEATURES	1
■ LIST OF ARTICLES	1
■ TECHNICAL INFORMATION	1
■ COMPONENT DESCRIPTION	2
■ USER GUIDE	3
• MOUNTING THE FLAT BOTTOM PAN HEAD ON THE TRIPOD	3
• MOUNTING THE BALL HEAD ON THE TRIPOD	4
• MOUNTING THE CAMERA AND THE MINI CRANE M1 III	5
• HOW TO USE THE FOOT SPIKES AND THE FOOT PADS	6
• HOW TO ADJUST THE ANGLES	7
• HOW TO USE THE MID-LEVEL SPREADER AND THE GROUND SPREADER	8
• HOW TO USE THE ACCESSORIES	9
■ SAFETY GUIDE	9

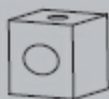
FEATURES

1. This product is suitable for broadcast equipment.
2. Its high quality, superior grade carbon fibre and aluminium magnesium alloy material provides increased strength, rigidity, and wear resistance.
3. The unique joint structure increases stability when the tripod is used on uneven terrain.
4. The mid-level spreader and ground spreader are detachable and adjustable between 15° and 78°.
5. The smart snap design is ideal for tripod leg extension or folding.

LIST OF ARTICLES



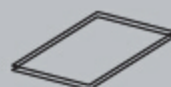
Tripod



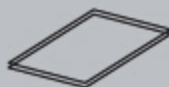
Pan head box



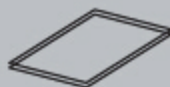
Bag



Instruction manual



Warranty card



Product certification

* Do not lose any of the articles listed above.

TECHNICAL INFORMATION

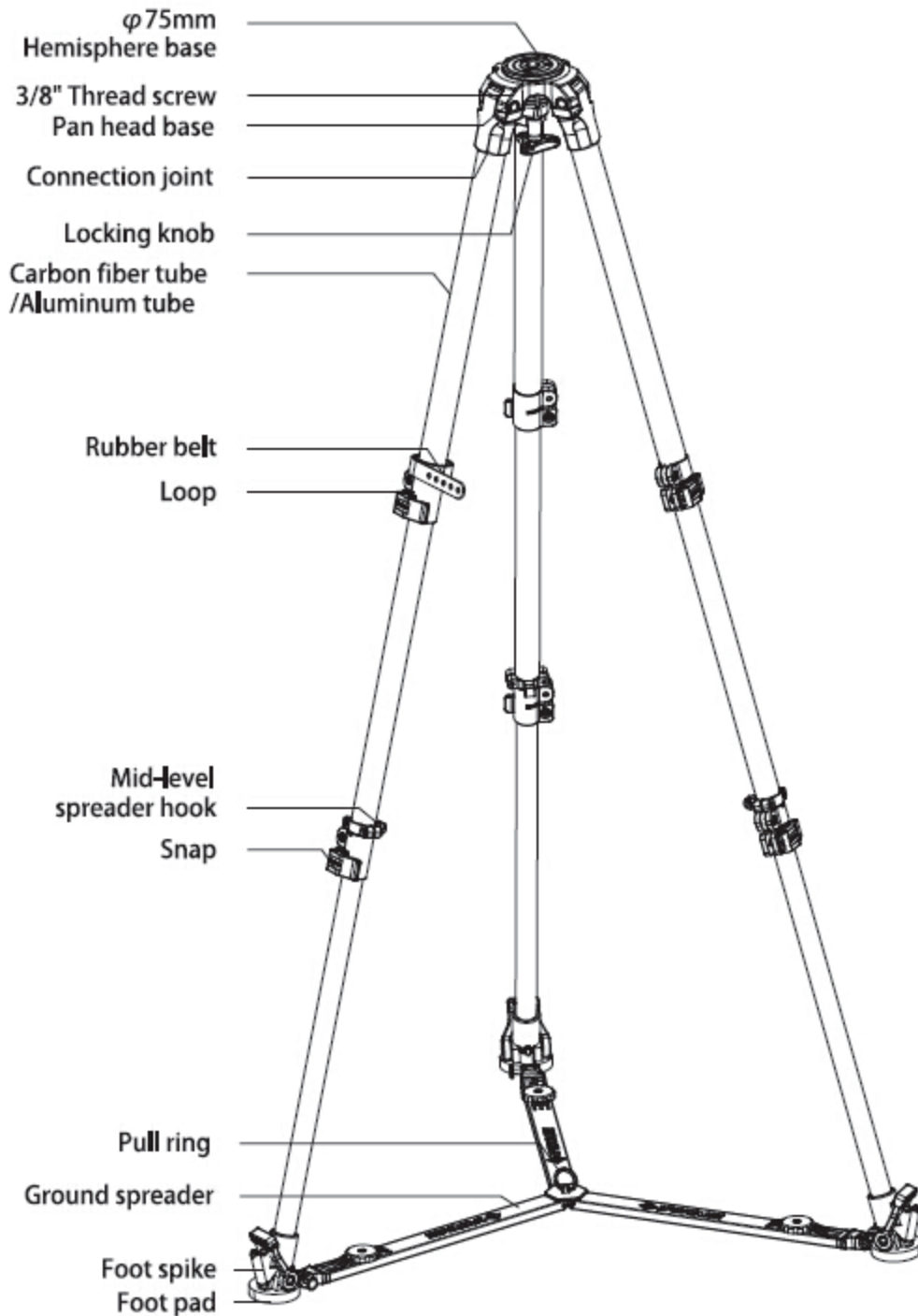
T5

Weight	4.0kg
Maximum load	40kg
Tube diameter	34mm
Material	Anodized aluminum
Minimum height	200mm
Maximum height	1500mm
Bowl diameter	75mm
Folded height	720mm
Number of sections	3

T7

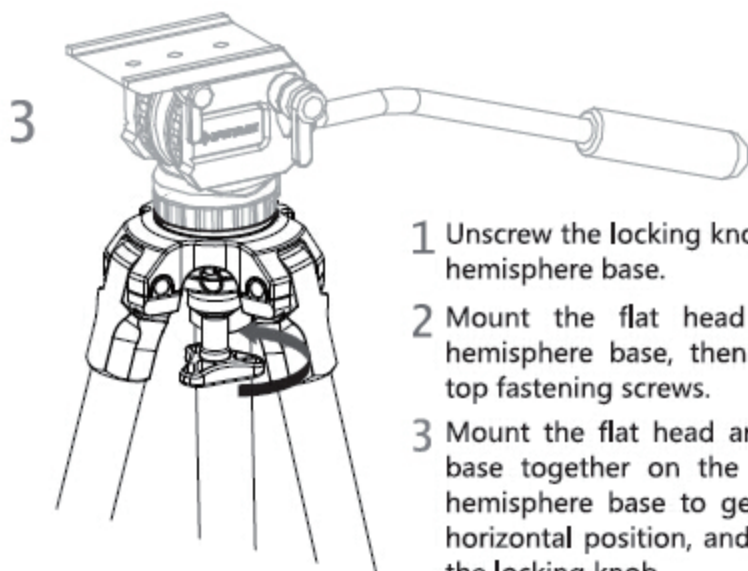
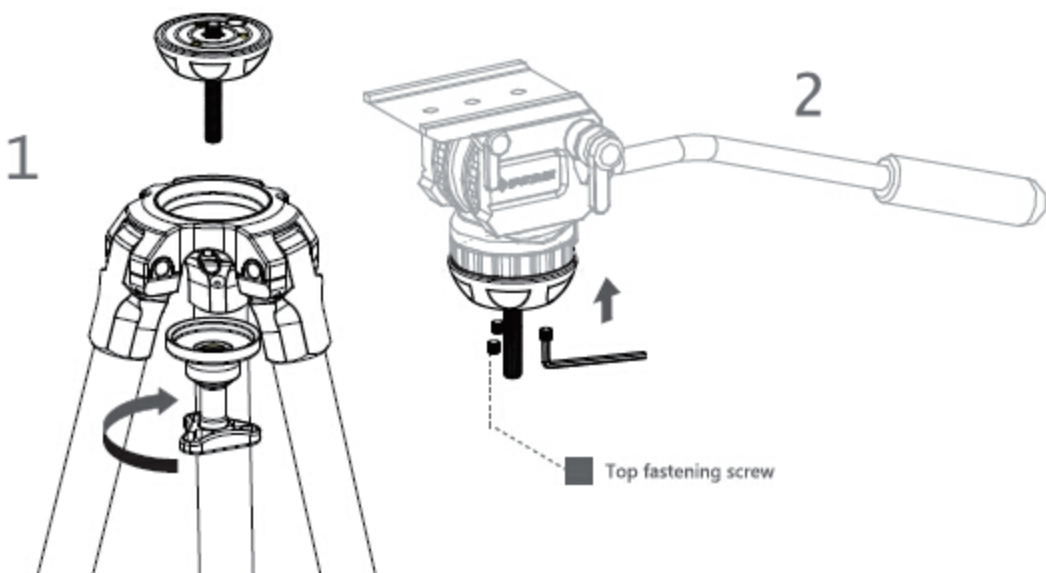
Weight	3.5kg
Maximum load	40kg
Tube diameter	34mm
Material	Carbon fiber
Minimum height	200mm
Maximum height	1500mm
Bowl diameter	75mm
Folded height	720mm
Number of sections	3

COMPONENT DESCRIPTION



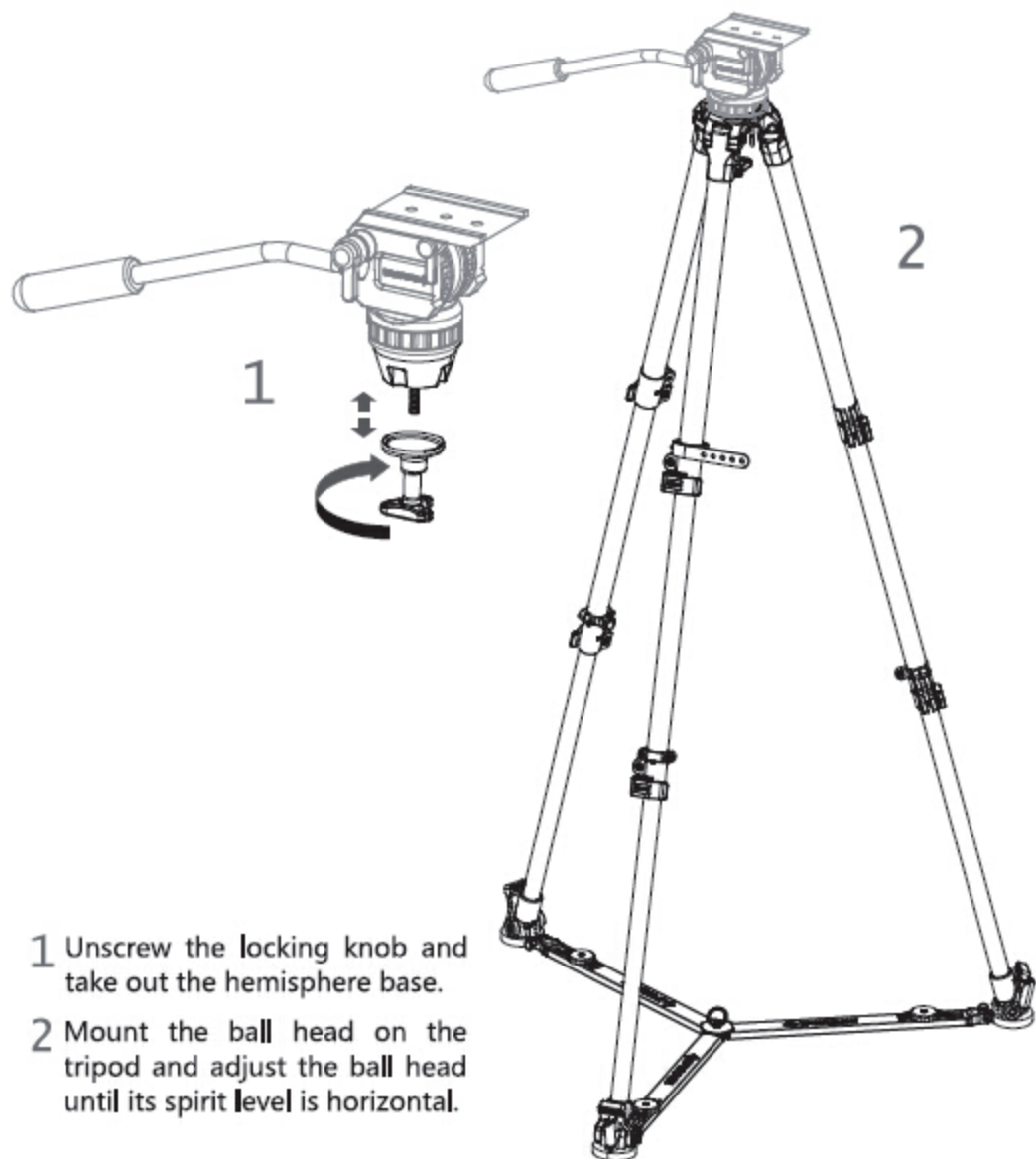
01

MOUNTING THE FLAT BOTTOM PAN HEAD ON THE TRIPOD



- 1 Unscrew the locking knob and take out the hemisphere base.
- 2 Mount the flat head (3/8-16) on the hemisphere base, then tighten the three top fastening screws.
- 3 Mount the flat head and the hemisphere base together on the tripod, adjust the hemisphere base to get its spirit level in horizontal position, and then tightly screw the locking knob.

02 MOUNTING THE BALL HEAD ON THE TRIPOD



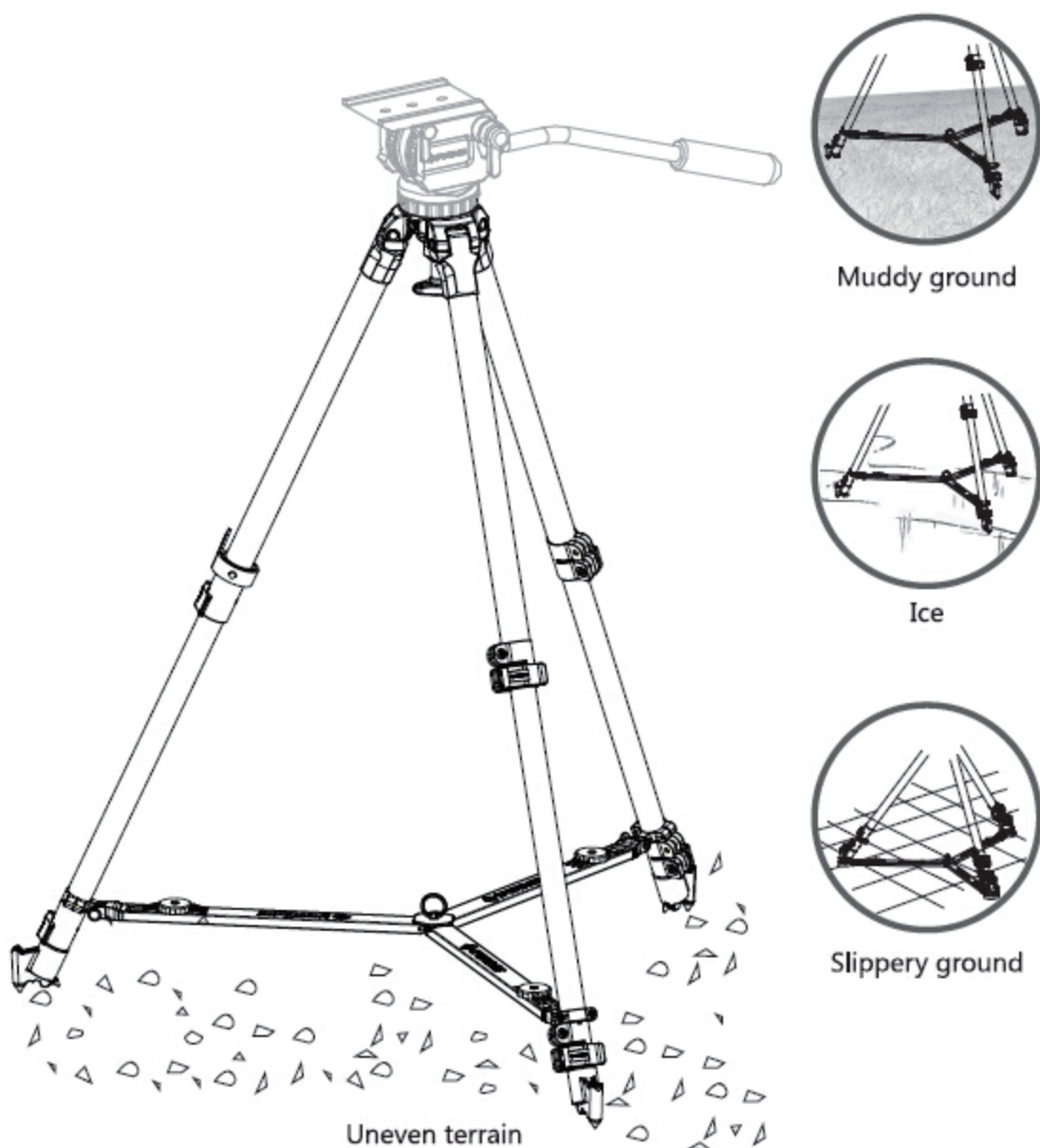
- 1 Unscrew the locking knob and take out the hemisphere base.
- 2 Mount the ball head on the tripod and adjust the ball head until its spirit level is horizontal.

03 MOUNTING THE CAMERA AND THE MINI CRANE M1 III



*The Mini Crane M1 III is the perfect complement to the iFootage Wild Bull Tripod T5/T7.

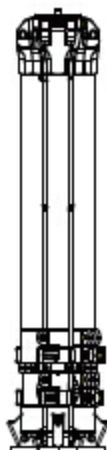
04 HOW TO USE THE FOOT SPIKES AND THE FOOT PADS



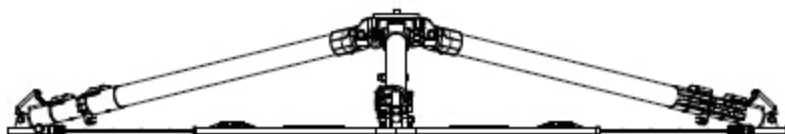
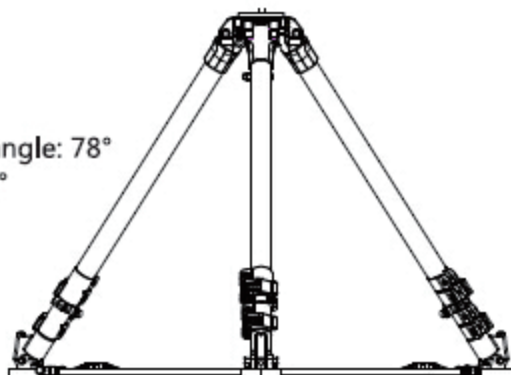
The foot spikes and foot pads enable the tripod to work perfectly in harsh environments such as muddy or slippery ground, uneven terrain, ice, and other difficult surfaces.

05 HOW TO ADJUST THE ANGLES

1 Angle range

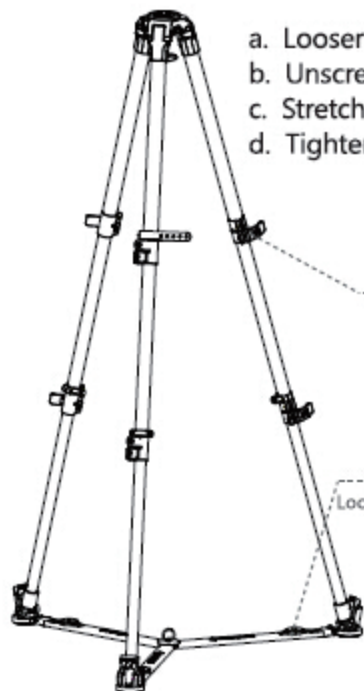


- a. Maximum working angle: 78°
- b. Minimum angle: 15°

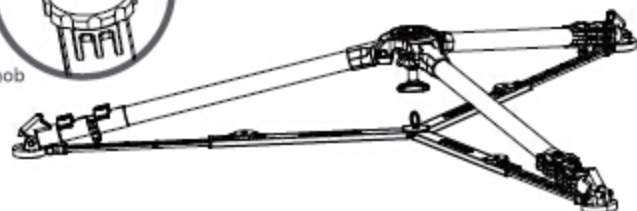
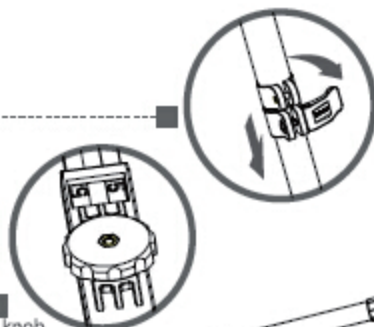


2 Low angle

- a. Loosen all of the snaps, then draw back the tubes to the shortest.
- b. Unscrew the locking knob of the ground spreader.
- c. Stretch out the three tubes to the maximum angle.
- d. Tighten the locking knob of the ground spreader.

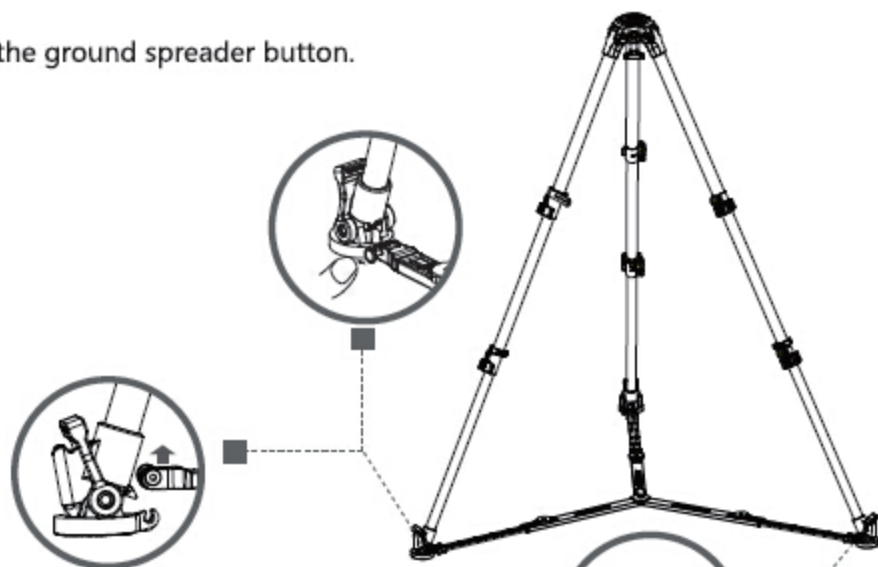


Locking knob

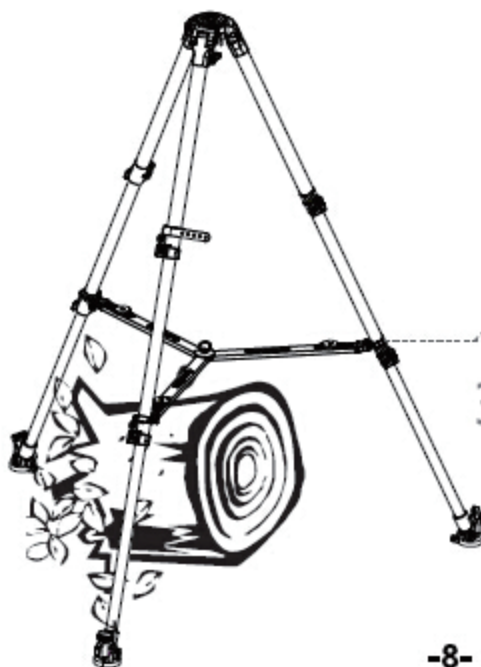
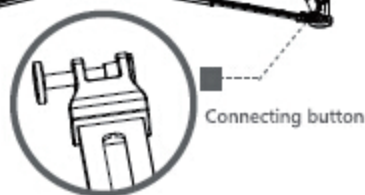


06 HOW TO USE THE MID-LEVEL SPREADER AND THE GROUND SPREADER

1 Press the ground spreader button.



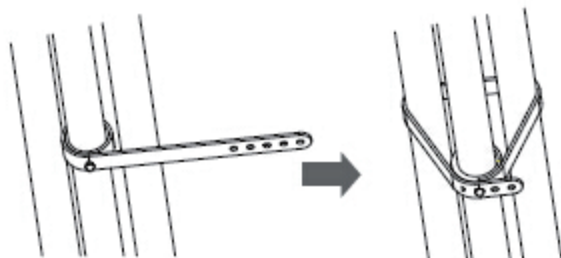
2 Take off the connecting button of the ground spreader.



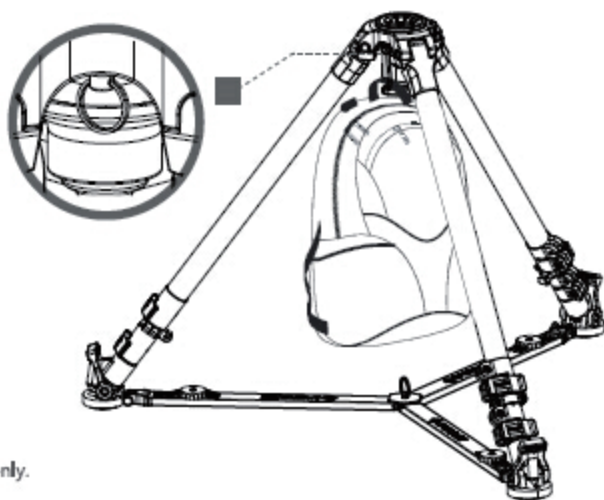
3 Mount the connecting button on the hook of the mid-level spreader. The ground spreader can then be used as a mid-level spreader and avoid any obstacles when shooting.

07 HOW TO USE THE ACCESSORIES

1 How to use the rubber belt



2 How to use the load screw



*The bag is used for illustrative purposes only.

SAFETY GUIDE

1. This is not a toy. Children must be properly supervised by a guardian/adult when the product is in use.
2. Do not disassemble, crush, bend, deform, shred, microwave, or incinerate the product or its parts.
3. Do not use the product near a high voltage area.
4. Do not exceed the product's load capacity as stated in the specification.
5. Only qualified personnel may repair this product.
6. Do not use lubricant on the product. Any abrasive cleaning tools should be avoided.

*Notice: Please note that the pan head, ball head, and the camera devices are not included in the package and are used for illustrative purposes only.



IFOTAGE INTERNATIONAL (HK) LIMITED

Origin: China

Website: www.ifotagegear.com