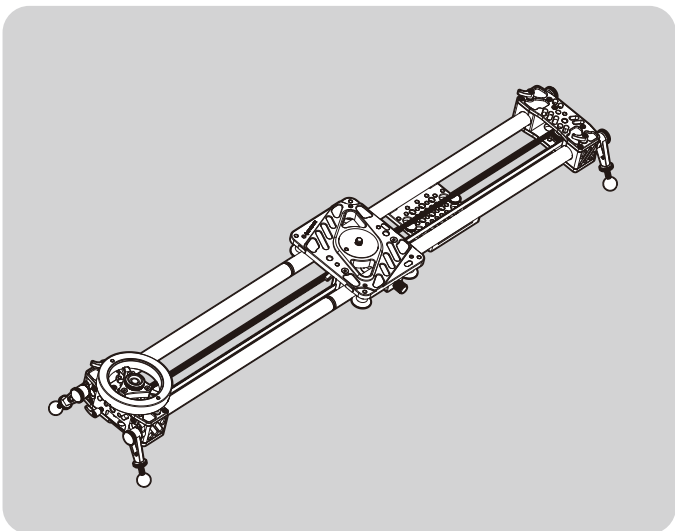




Shark Slider S1 User Manual



DK0227001

LIST

Standard



Bundle



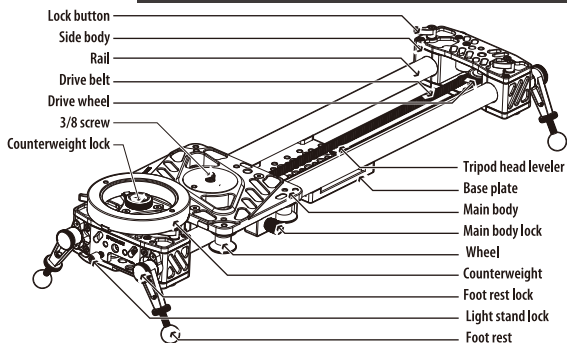
* Items do not miss

DESCRIPTION

Weight	3.4kg (with counter weight)
Material	Carbon Fiber+ Anodized Aluminum+SUS304
Diameter of the Tube	22mm
Max length	790mm±5mm
Effective length	640mm±5mm
Max load	7kg

Weight	3.8kg (with counter weight)
Material	Carbon Fiber+ Anodized Aluminum+ SUS304
Diameter of the Tube	22mm
Max length	1350mm±5mm
Effective length	1200mm±5mm
Max load	1200mm 5kg / 640mm 7kg

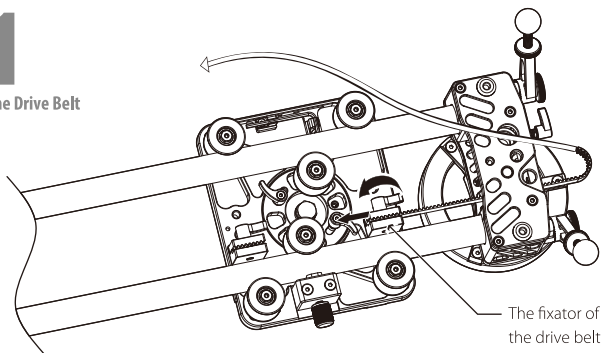
NAME OF SECTIONS



USER GUIDE

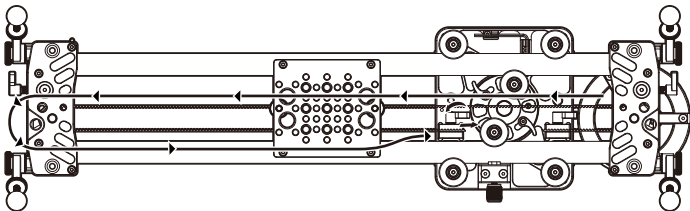
01

Install The Drive Belt



First install the belt to the fixator and lock to fix one side of the belt.
Loop the drive belt around the first drive wheel.

* Make sure you have locked the Main body position before installation, or it will slide and cause accident.



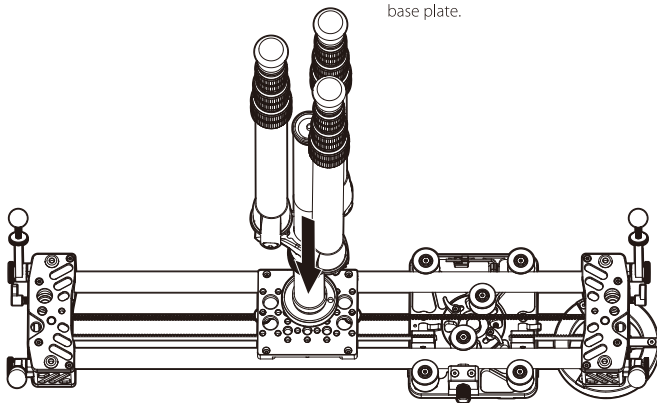
Loop the belt to second drive wheel, apply tension when installing the belt to another fixator and lock tight.

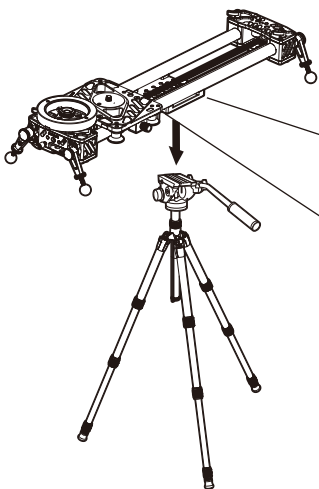
USER GUIDE

02

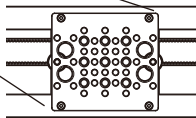
Install On Tripod

It can install directly on a tripod, lock the main slider body and extend the tripod legs after you mounted on the base plate.





Slider can also install directly on the Pan-head, gives flexible tilting angle and more flexible adjusting the slide angle.

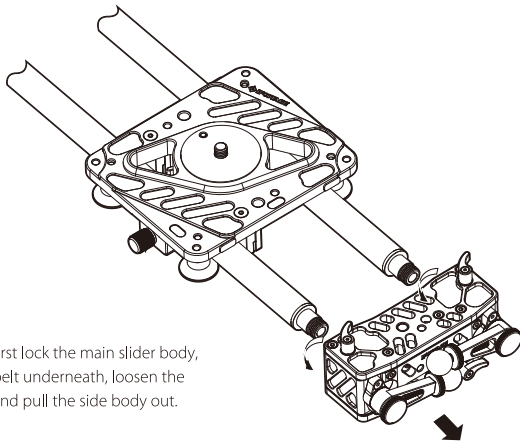


The base plate provides multiple 1/4 and 3/8 screw holes, fits different quick release plate and allow offset for balancing. Base plate leveler screws are for eliminate the gap in between the plate and the pan head.

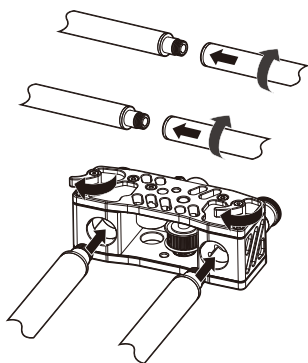
USER GUIDE

03

Rail extend



To extend the rail, first lock the main slider body, uninstall the drive belt underneath, loosen the side body rail lock and pull the side body out.



To install the extension tube, simply screw the additional rails on clockwise. Additional rail tubes can be purchased separately

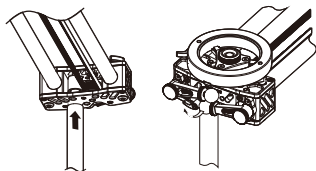
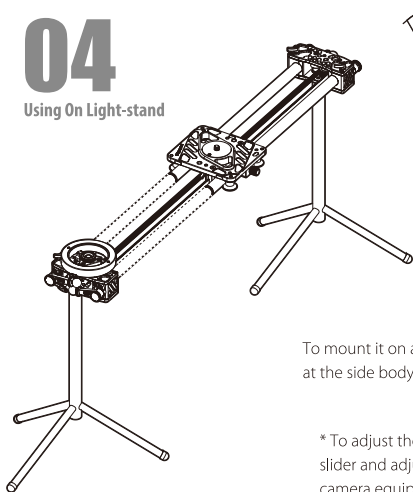
Align the tubes to the rail slots, slide in to the end and lock. Repeat step one to install the drive belt, make sure to use a longer belt.

Extra long belt can be purchased separately

USER GUIDE

04

Using On Light-stand

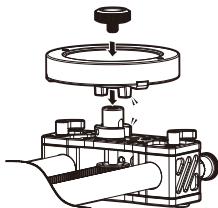
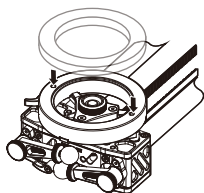


Slider can install directly on light-stand.

To mount it on a light stand, first loosen the light stand lock at the side body, install the light stand and lock securely.

* To adjust the light stand height please first removes the slider and adjusts the height, caution with your valuable camera equipment. Sturdy light stand is strongly recommended.

05

Handling And Expand
Of Counterweight

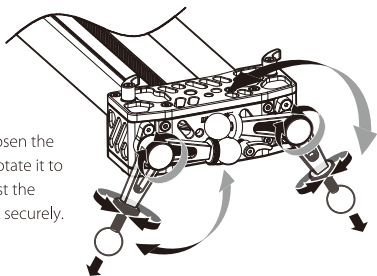
User can increase the damping force by adding more counterweight, also depends on the camera equipment weight. When installing the counterweight, make sure it

install securely on the side body before locking the button.

06

Quick Tripod

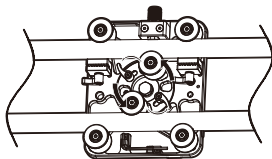
Foot rest are good for uneven ground, loosen the lock on the side to release the foot rest. Rotate it to adjust the angle of the slider, further adjust the height by twisting the rubber tip and lock securely.



07

Correct Rail Pulley Tension

After a long period of usage without disassembling, the slider rails may possibly loosen due to the different temperatures or external impact. This can be easily fixed by adjusting the rail clamps underneath the



main body. Unlock the clamp buttons and adjust for slug fit.

FUNCTION AND FEATURE

- Unit equipped high precision and top grade S3M gear drive belt unit
2. The unique dual rail system provides easy to adjust and precise solution for slide tracking.
 3. Patented counterweight damping structure offers perfect stability for all purposes.
 4. Precise machined stainless steel rail connectors gives perfect smoothness, best performance compared to similar design.
 5. 16 top grade Japanese silent bearings.
 6. Quick assemble and dessemble design offers compact use and easy for maintenance.
 7. Multiple 1/4, 3/8 mounting holes, light stand and tripod mount.
 8. With the 100% high quality 14 layers carbon fiber of knitting technique, offers the best stability for your shoot.
 9. Precised CNC machined structure offers lightweight but solid structure and with high quality anodized black finish increase durability. Enhance rigidity of the surface and abrasion resistance.

PRODUCT MAINTENANCE

1. Do not over tighten the screws and knobs or it may fail.
2. Please remove any dust and clutter at the joint area before connecting the rail, or it will damage the connectors
3. Make sure you secure the counterweight to avoid any accident.
4. After used the unit in rain, snow or wet environment, please clean with wet cloth and package it after it dried.
5. Do not operate it violently and handle with care.

*The pan head, tripods and light stand in the picture are not included in the package, only for demonstration.

*iFootage reserves the right of rectifying all hardware and software specification at any time without any notices. If there are any differences between the contents of the instruction and the product, please regard the actual product as the truth.

INFORMATION OF MANUFACTURER



IFOOTAGE INTERNATIONAL (HK) LIMITED

Origin : Guangdong , China
www. ifootagegear.com