

Mini Crane M1 III Instruction Manual



 **IFOTAGE**®

DK0364001

Content

■ FEATURES	1
■ LIST OF ARTICLES	1
■ OPTIONAL ITEM	1
■ TECHNICAL DATA	2
■ COMPONENT DESCRIPTION	2
■ INSTALL GUIDE	3
• MOUNTING M1III ON FLAT TRIPOD	3
• MOUNTING M1III ON TRIPOD WITHOUT HALF BALL	4
• EXTENDING M1III	5
• MOUNTING CAMERA	6
• MOUNTING THE COUNTERWEIGHTS	7
■ USER GUIDE	8
• FOCUS/HORIZONTAL SHOOTING	8
• TRIMMING TILT ANGLE	9
• HOW TO USE LOW PROFILE QUICK RELEASE ADAPTER	10
• LOW PROFILE QUICK RELEASE ADAPTER & UPSIDE DOWN MOUNTING	11
• FUNCTION EXTENSION	12
■ HELP	12
■ MAINTENANCE	13
■ RELATED ACCESSORIES	13

Thank you for purchasing iFootage product. This manual is designed for Mini Crane M1 III. For better use of your Mini Crane, please read the instructions carefully before use and keep the manual for future reference.

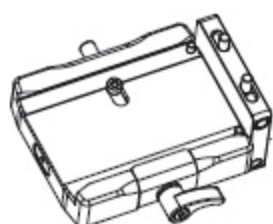
FEATURES

1. This new Mini Crane made for photography hobbyist and professional photography studio has the features of compact, lightweight, easy to carry, heavy load and high stability. It integrates the advantages of focus shot, low-angle shot, pitch-tilt shot, damping adjustment, quick balance adjustment, compatible for flat tripod and bowl tripod.
2. The square tube is made of 20-layer high-impact carbon fiber. This structure design is the best solution to the problem that other similar products are easy shaking and becomes deformed.
3. Precised CNC machined provides strong support and high quality anodized black finish increases durability.

LIST OF ARTICLES



OPTIONAL ITEM



M1 Low Profile Quick Release Adapter

* The Low Profile Quick Release Adapter need be purchased separately.

TECHNICAL DATA

Self Weight

3.8KG

Load of Main body

15KG

Extended Length

2170±20mm

Maximum Radius

1200mm

Folded Length

970±20mm

Tube Diameter

43X40mm

Focusing Range

-13°~+22°

Material

Carbon Fiber, Aluminum and magnesium alloys

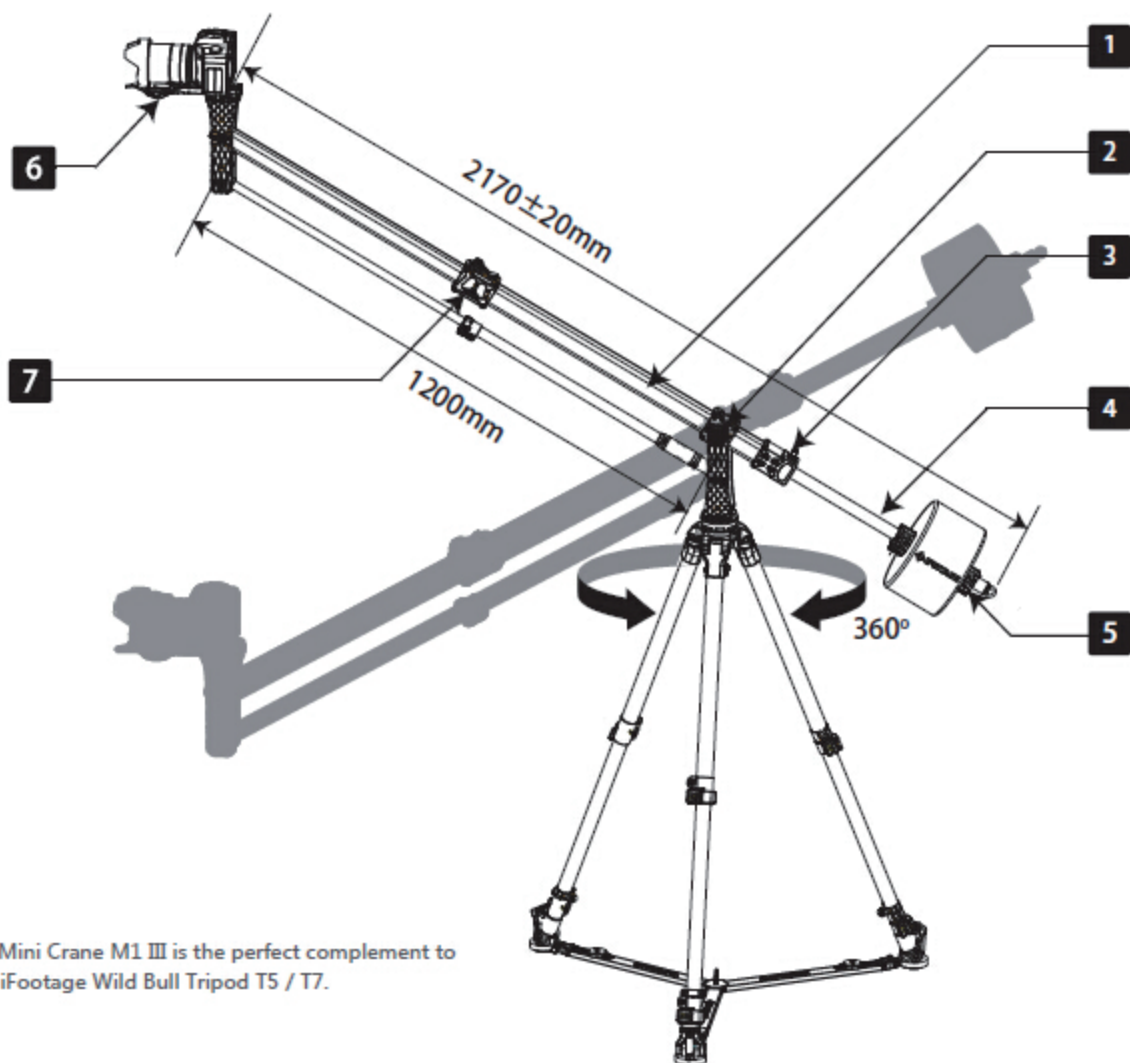
Range of tilt angle trimming

0°~25°

Load of low-angle shooting base

10KG

COMPONENT DESCRIPTION



* Mini Crane M1 III is the perfect complement to iFootage Wild Bull Tripod T5 / T7.

1 Main Section

2 Damping Knob

3 Weighted lever locking knob

4 Weighted lever

5 Weighted Buckle

6 M1 Quick Release Plate

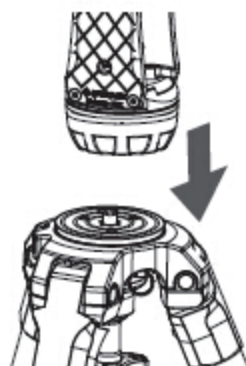
7 Locking Buckle

01-1 MOUNTING M1 III ON FLAT TRIPOD

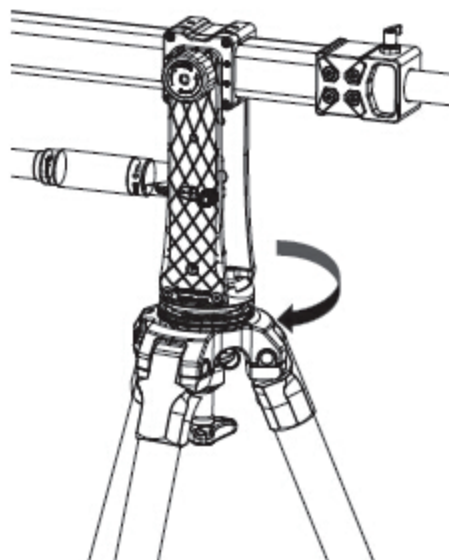
- **Step 1:** Unscrew the locking knob counterclockwise.



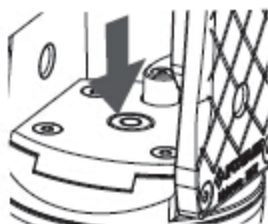
- **Step 2:** Aim the thread hole of Pan Head at the tripod screw.



- **Step 3:** Rotate and tighten the Pan Head Base clockwise on tripod.

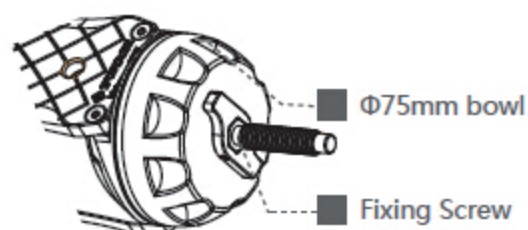


- **Step 4:** Adjust Pan Head until the spirit level is in horizontal position.

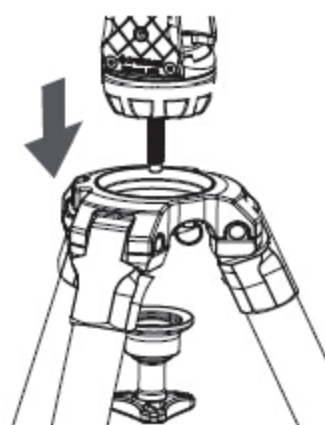


01-2 MOUNTING M1 III ON TRIPOD WITHOUT HALF BALL

- Step 1: Install and tighten the fixing screw.



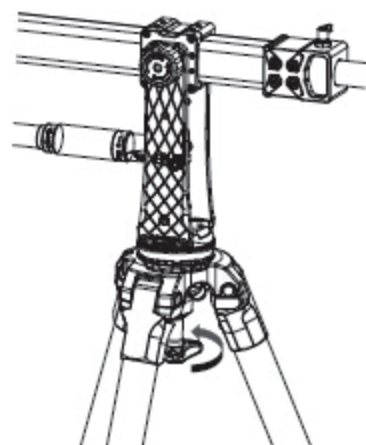
- Step 2: Mount the Pan Head on tripod.



- Step 3: Adjust Pan Head until the spirit level is in horizontal position.

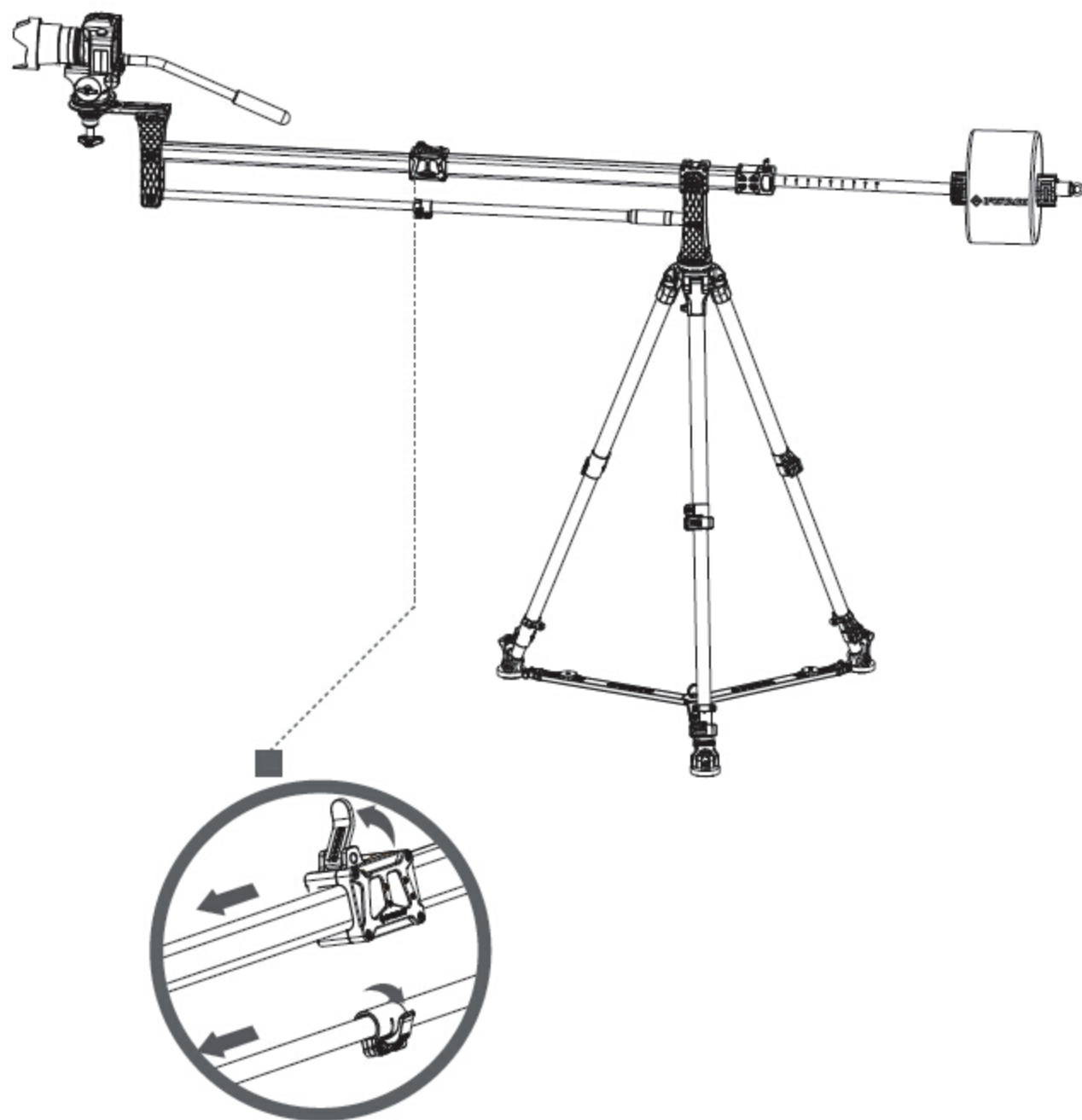


- Step 4: Tighten the locking knob clockwise.



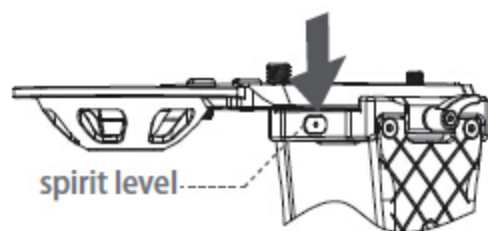
02

EXTENDING M1 III

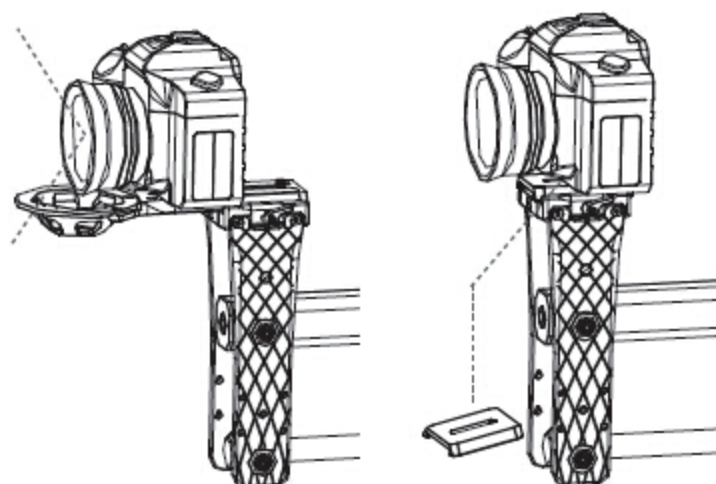
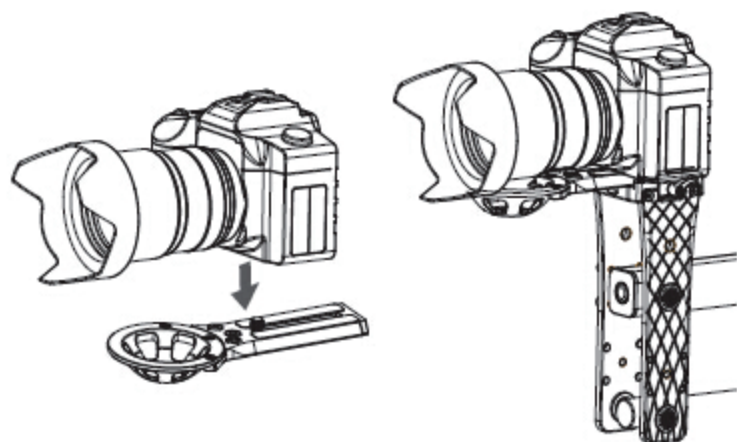


Loosen the locking buckle and extend M1 III

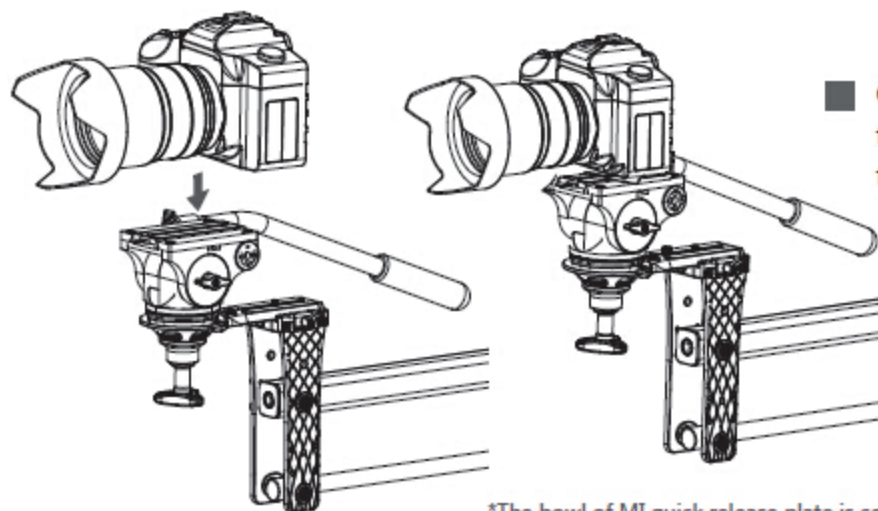
03 MOUNTING CAMERA



- Mount the camera on the M1 quick release plate, then install on Mini Crane together. Ensure the spirit level is horizontal and then tighten the knob.



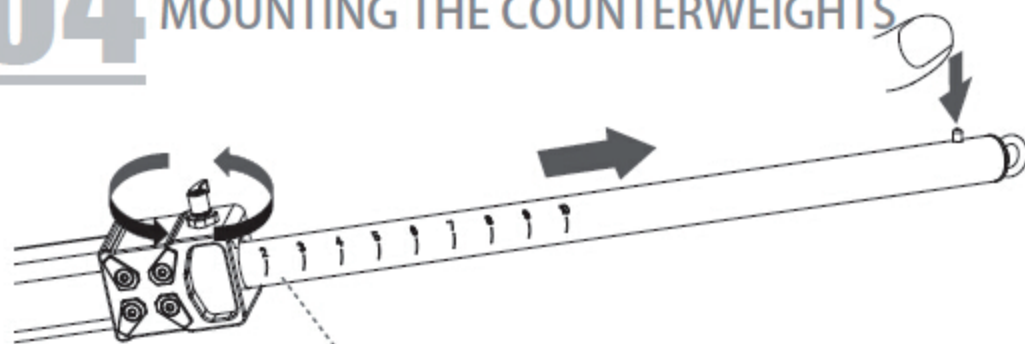
- For micro-single camera or camera with wide-angle lens mounting in forefront of the M1 quick release plate, the lens is likely to be blocked. In this case, please use MOTION X2 quick release plate instead.



- Or attach the fluid head to the M1 quick release plate, then mount camera on it.

*The bowl of M1 quick release plate is compatible with 60mm & 75mm bowl head.

04 MOUNTING THE COUNTERWEIGHTS

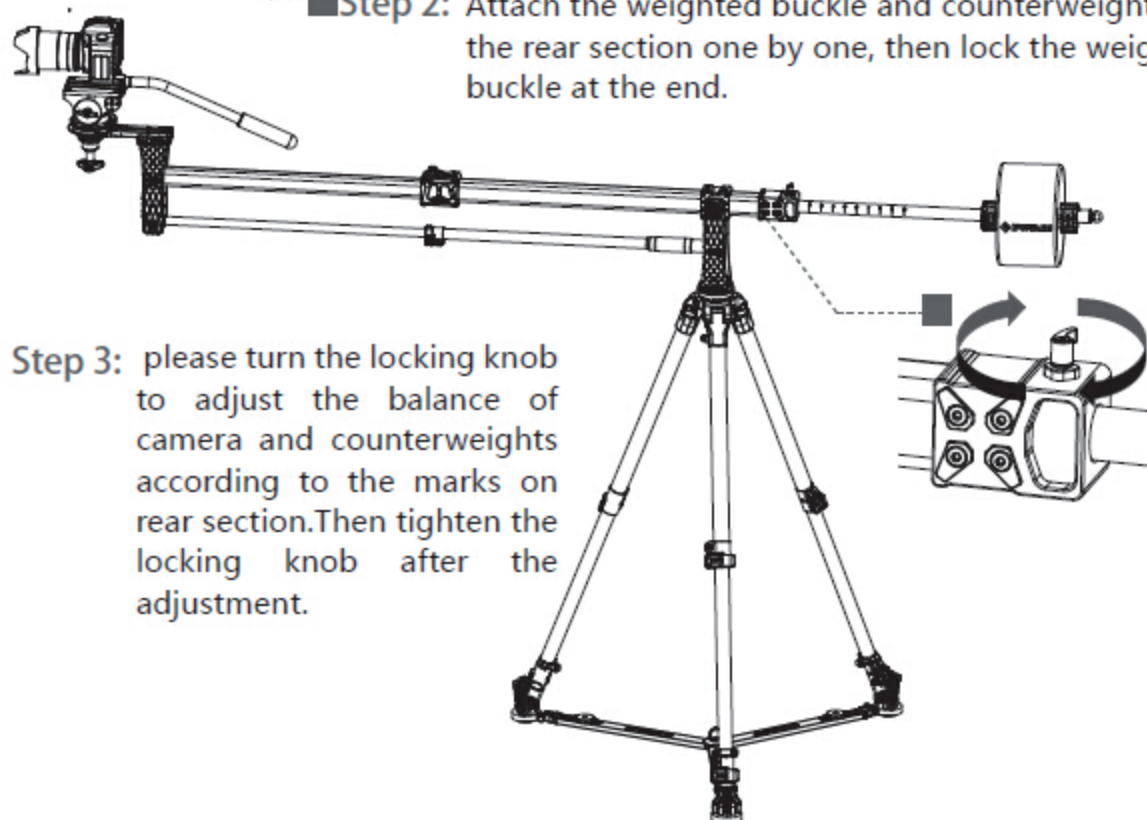


- Step 1: Loosen the locking knob, pull out the rear section, then press down the fixing bolt.



- Step 2: Attach the weighted buckle and counterweight on the rear section one by one, then lock the weighted buckle at the end.

- Step 3: please turn the locking knob to adjust the balance of camera and counterweights according to the marks on rear section. Then tighten the locking knob after the adjustment.



*iFootage Water Bag W1 is portable. It can be used as counterweight after filling water. Need to be purchased separately.

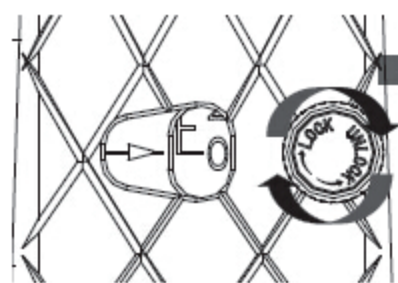
05 FOCUS/HORIZONTAL SHOOTING



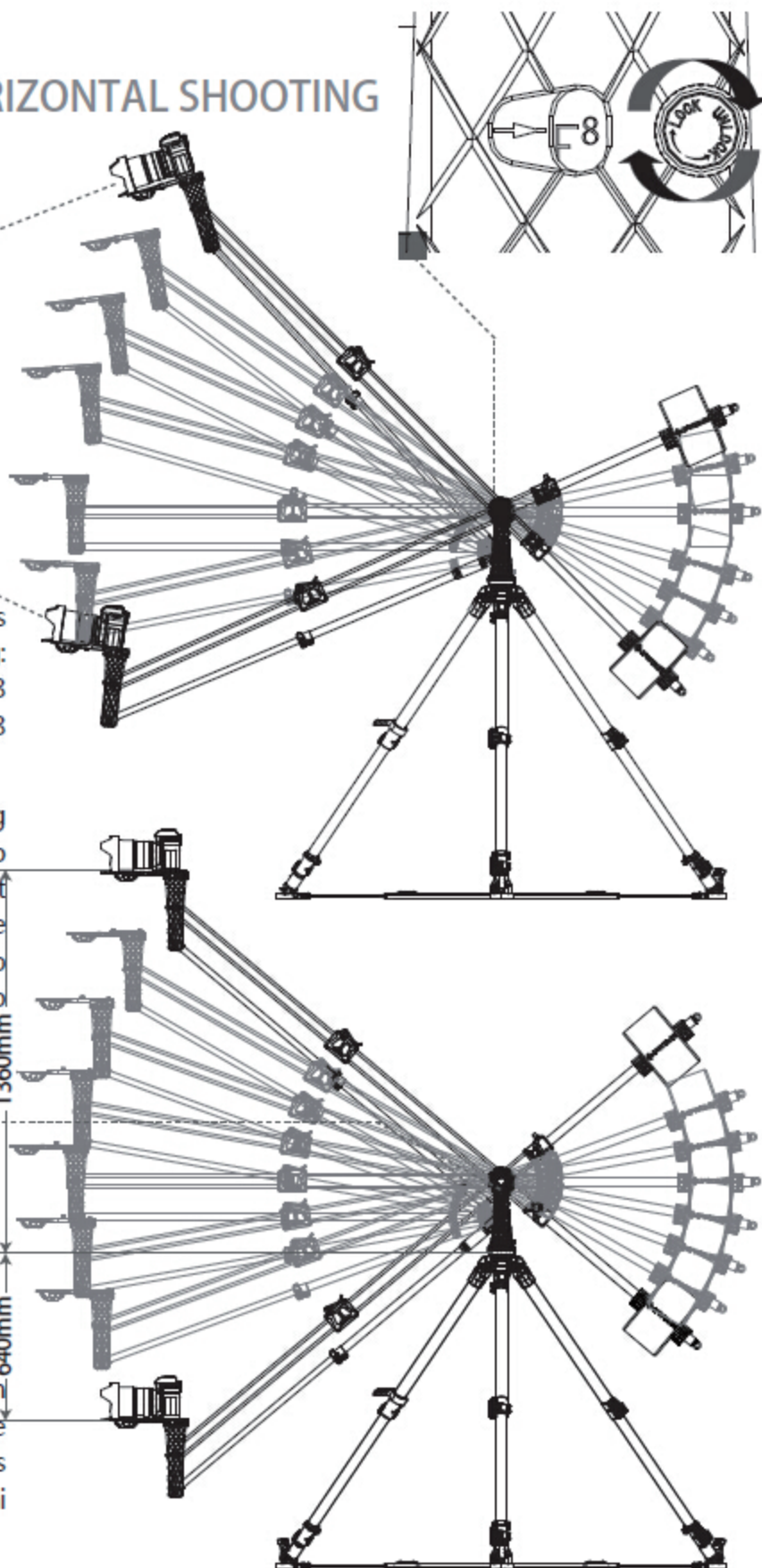
35°

iFootage Mini Crane M1 III has application of focus shooting: Include 9 levels from 0 to 8 available. The focus scope at 8 level is the wildest.

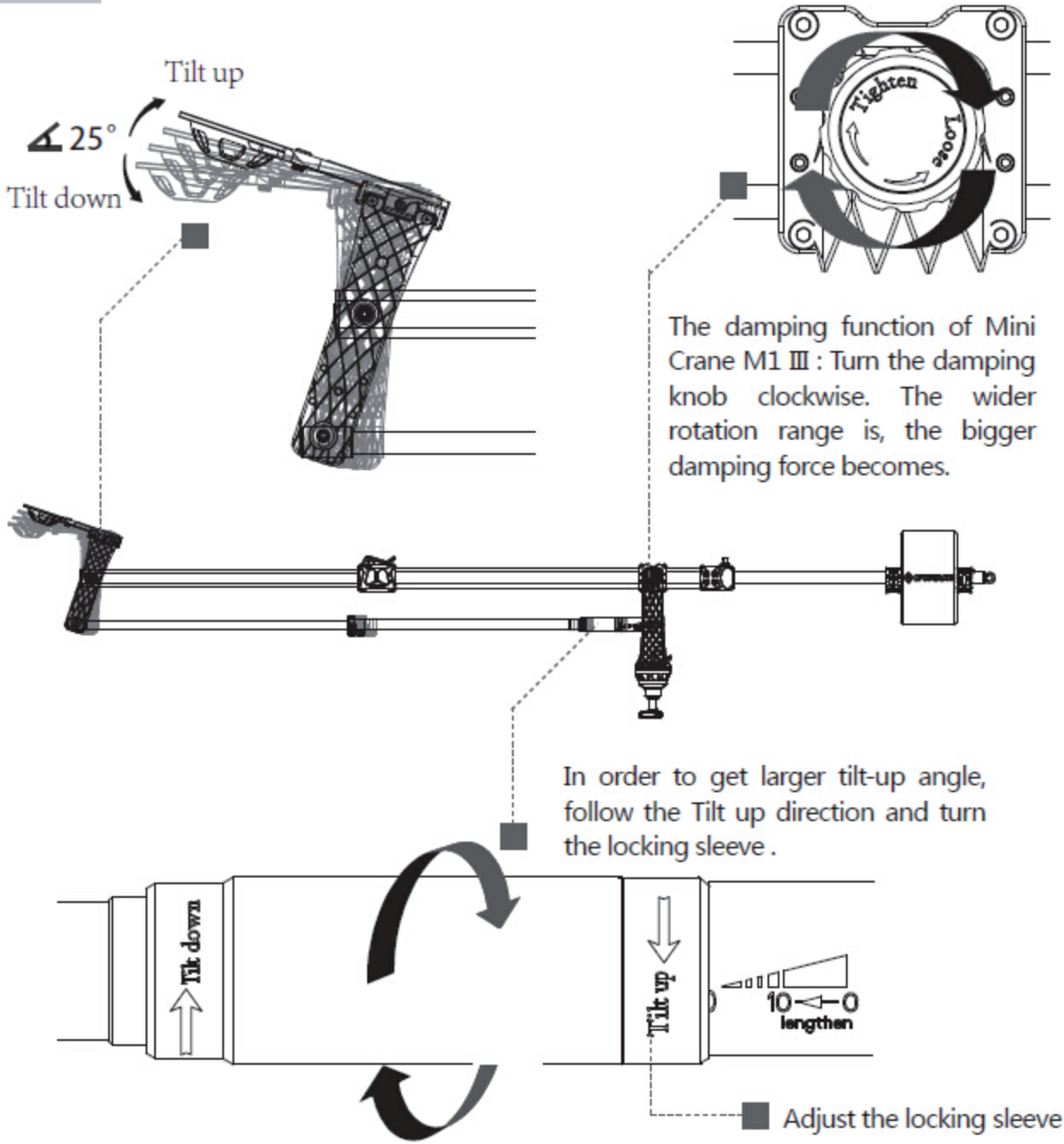
Adjust the pitch angle by turning the knob. Turn the knob anticlockwise until it doesn't move forward, and extend the rear section to the best tilt-up angle. Then turn the knob clockwise and lock it.



The horizontal shooting function of Mini Crane M1 III : When the mark is at 0 level, the lens always keeps horizontal while Mini Crane is moving up and down.

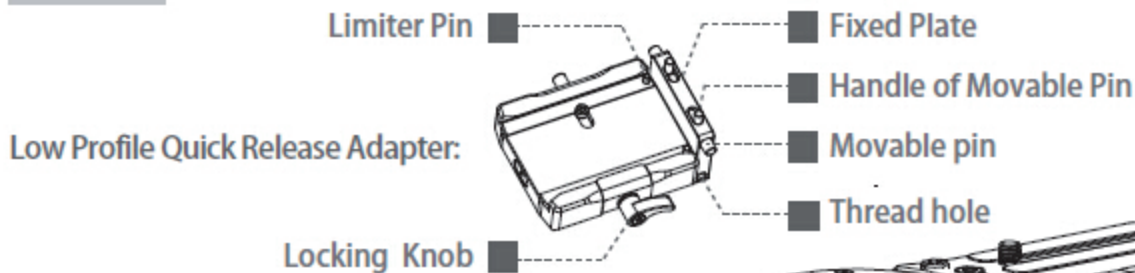


06 TRIMMING TILT ANGLE



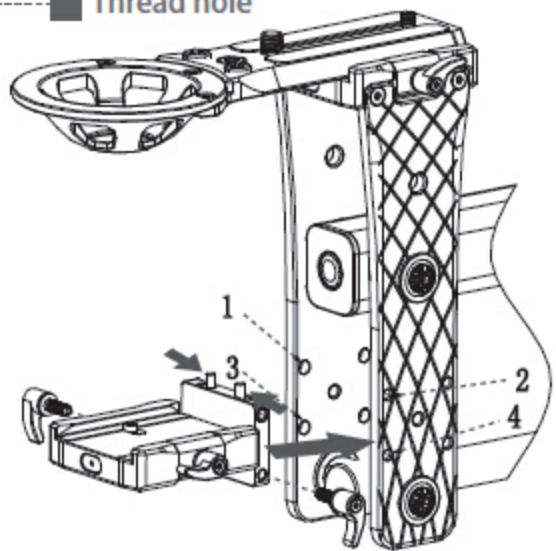
07

HOW TO USE LOW PROFILE QUICK RELEASE ADAPTER

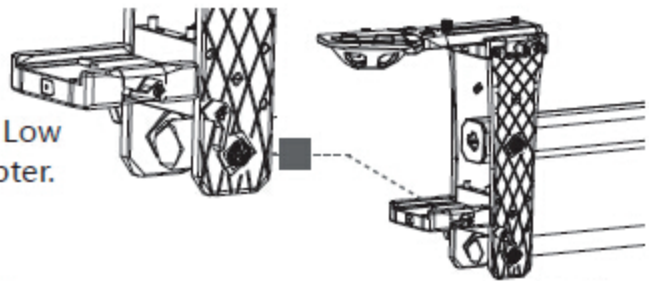


- **Step 1:** Press the two handles of movable pin and push inwards. Turn the movable pins on the No.1 and No.2 hole, release the handles and it automatically bounce into the hole.

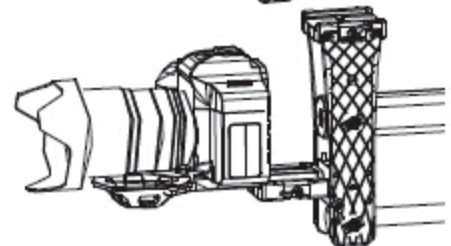
- **Step 2:** Aim the thread holes at the No.3 and No.4 hole and tighten the locking knob.



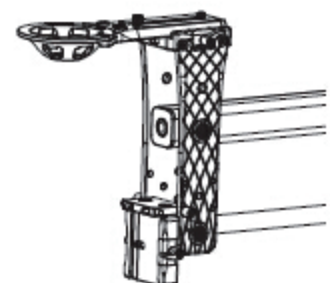
- **Step 3:** Finish installing the Low Profile Quick Release Adapter.



- **Step 4:** Mount the camera on the Low Profile Quick Release Adapter to achieve low-angle shooting. Need to install the monitor as accessory to derive the footage.



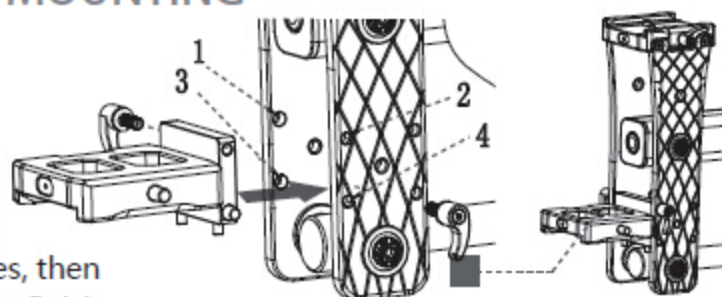
- **Step 5:** Fold up the Low Profile Quick Release Adapter when not in use. It doesn't affect the normal use of Mini Crane or carry-over whenever it is folded or unfolded.



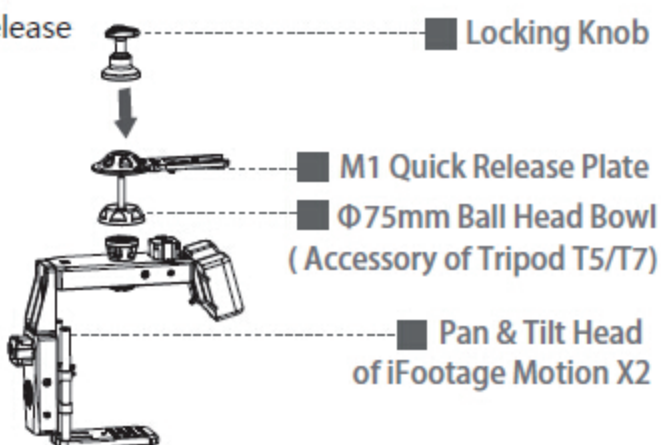
*Please purchase low profile quick release adapter separately if you need it.

08 LOW PROFILE QUICK RELEASE ADAPTER & UPSIDE DOWN MOUNTING

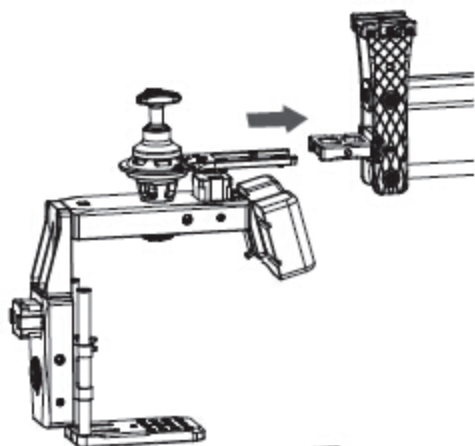
- **Step 1:** Aim the movable pins at the No.3 and No.4 hole, and turn the thread holes on the No.1 and No.2 holes, then tighten the locking knob to finish installing the low profile quick release adapter.



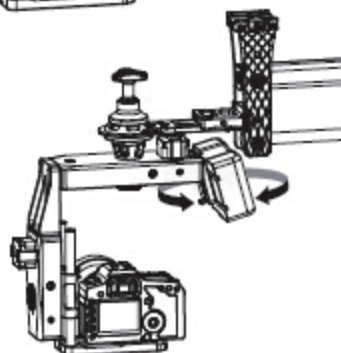
- **Step 2:** Hang Pan & Tilt head upside down. Then tighten the locking knob, M1 quick release plate, ball head bowl and Pan & Tilt Head one by one.



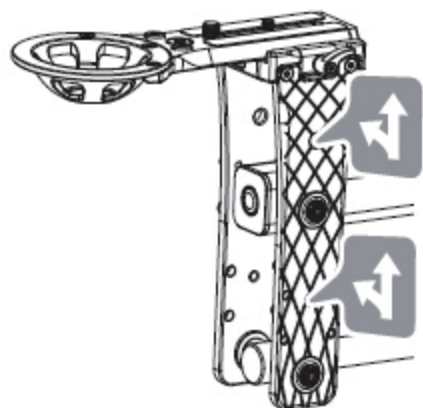
- **Step 3:** Mount M1 quick release plate on the low profile quick release adapter.



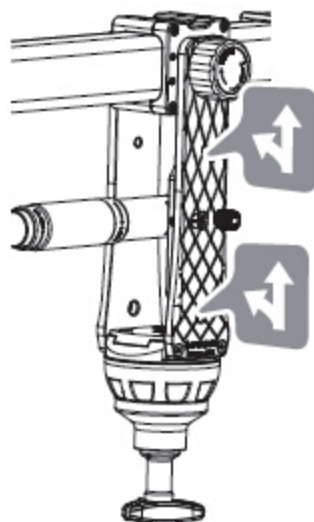
- **Step 4:** Mount camera on the Pan & Tilt Head of Motion X2.



09 FUNCTION EXTENSION



There are 1/4 holes and 3/8 thread holes on each side, which is convenient for mounting monitors, lights, support arms and other accessories.



Monitors



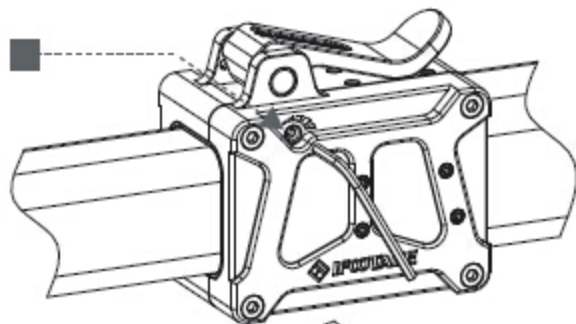
Lights



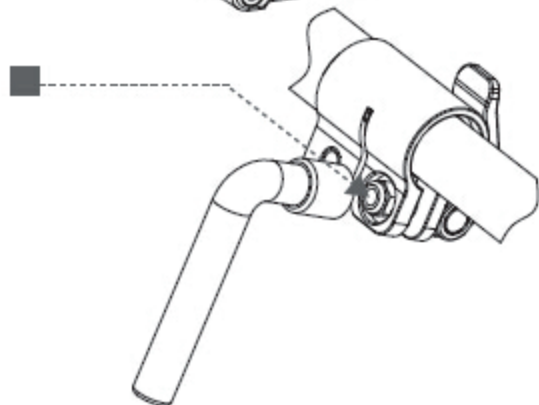
Support arms

HELP

1. When the locking force of buckle becomes low, please tighten it by the 2.5# wrench.



2. When the locking force of tube buckle becomes low, please tighten it by the 8# socket wrench.



MAINTENANCE

1. Gently tighten each screw or joint section, do not over tighten it. If not, it damages the tube section or parts.
2. Loosen the joint section 60 degrees and gently adjust the balance or remove slowly. Do not over tighten it as it will damage the thread.
3. After operation in rain, snow or on the water, extend the tube sections and clean it with a damp cloth. Keep it at a state of rest for a while and fold it after the water on the Mini Crane evaporates.
4. Handle all parts gently and avoid external pressure during storage.
5. If there is sand inside the tubes, please clean it (a small brush can clean up the sand in the screws. After cleaning, please don't spread lubricant everywhere, just apply the lubricant on few parts of the component. In this way, the other parts will be lubricated automatically by the moving of screw thread. Please don't apply normal machine oil or lubrication oil that will disable the function of parts. Suggest the special lubricant is the best choice.

RELATED ACCESSORIES

1. Due to the additional counter weight, suggest applying a tripod that has 15kg load capacity at least. Recommend iFootage Wild Bull Tripod T5/T7 that are perfect with iFootage Mini Crane M1 III.
2. Regarding the additional counterweight, different brand tripod has different loading test standard. Please note the load capacity is subject to actual measurement.
3. The inside diameter of weighted lever is 5mm, please pay special attention to it when purchasing. Recommend iFootage Water Bag W1 to be counterweight because it is perfect with iFootage Mini Crane series.



IFOTAGE INTERNATIONAL (HK) LIMITED

Origin: China

Website: www.ifotagegear.com