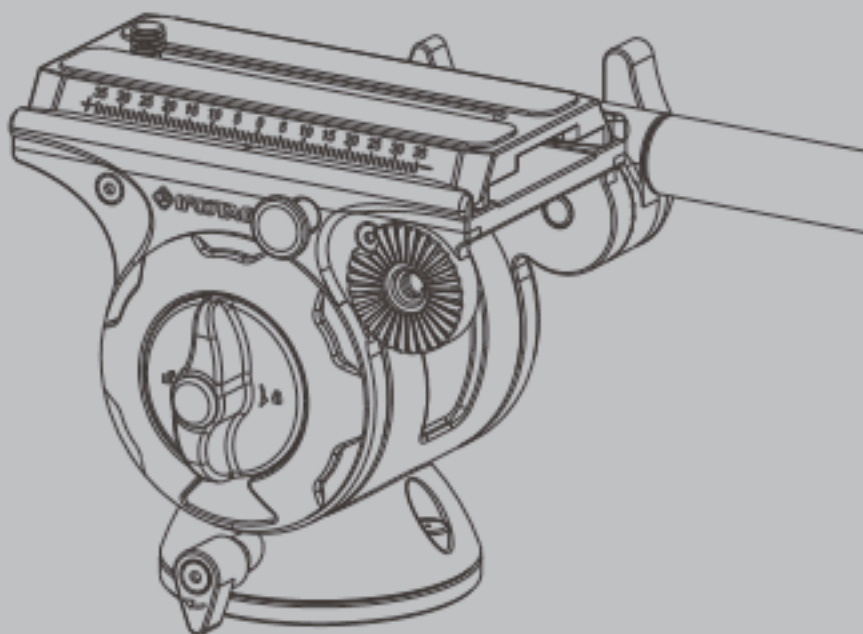


# komodo *K5*

## Lightweight Fluid Head User Manual



# Catalog

■ Features .....	1
■ List of articles .....	1
■ Technical Data .....	1
■ Parts Name .....	2
■ User Guide and More Functions .....	3
• How to mount the fluid head .....	3
• How to mount the quick release plate .....	4
• How to install the camera to the fluid head .....	4
• How to balance the camera on the fluid head .....	5
• How to adjust the angle .....	5
• How to remove the camera from the fluid head .....	5
■ How to mount Komodo fluid head .....	6
• Connect to the monopod .....	6
• Connect to the tripod .....	6
• Connect to the slider .....	6
• Connect to the Mini Crane .....	7
■ Maintenance .....	7

Thank you for purchasing an iFootage product. This manual is designed for KOMODO Fluid Head . To get the most of your Fluid Head, please read the manual fully before operating the equipment and keep the manual safe for future reference.

## Features

1. Lightweight fluid head is suitable for camera and video recorder, the load is up to 5KG with 2.4KG of rebound force.
2. With security anti-pin to prevent the equipment sliding over and falling from the unlocked quick release plate.
3. Locking knobs for fluid pan and tilt movements.
4. Bubble spirit level.
5. Built-in balance spring to help to support the equipment's weight.
6. Precise CNC machined structure provides lightweight but solid structure.
7. Built-in high precision bearing mechanism and original designed bearing mechanism providing the high loading capability keeping smoother shoot.
8. Novel appearance, low gravity, lightweight with convenience.
9. The high-quality anodized black finish enhances the durability and rigidity.
10. Low temperature resistance.

## List of articles

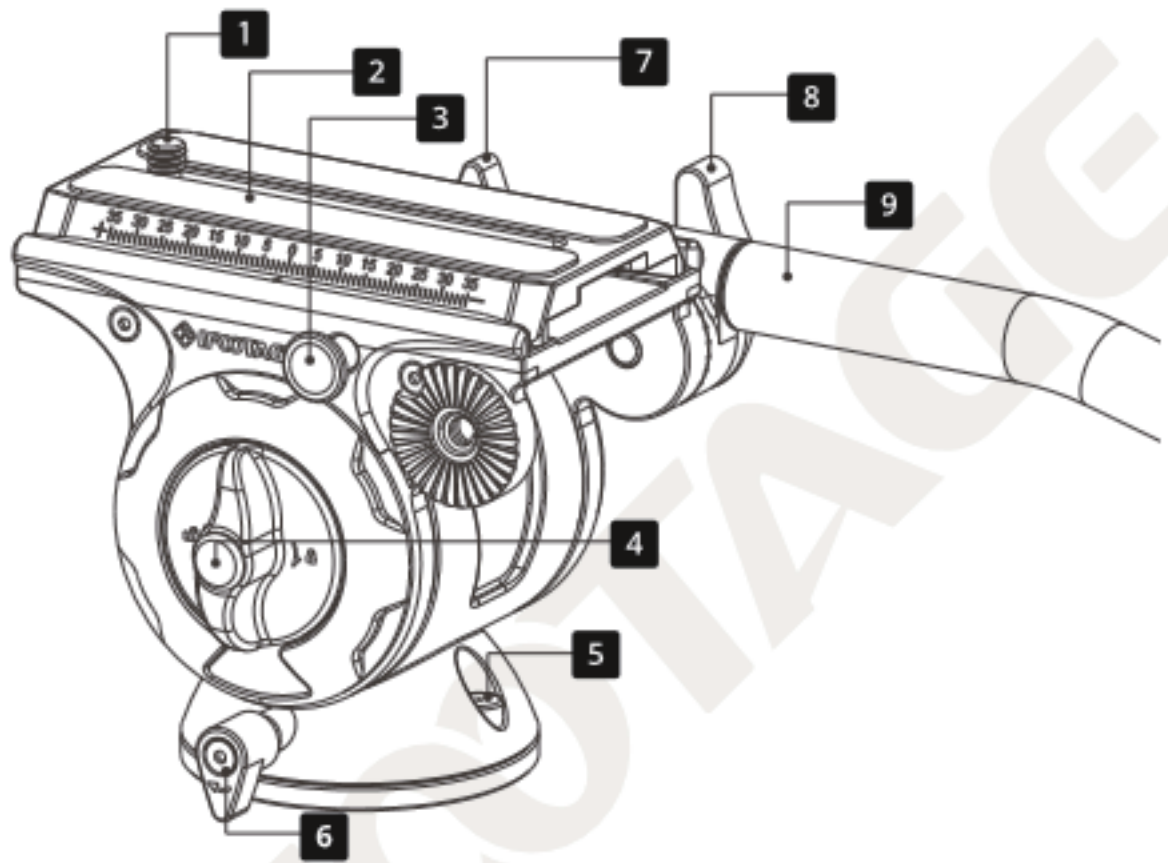


\*Do not lose any of the articles listed above

## Technical Data

Base Diameter	60MM	Height	98MM
Bottom Screw Hole	UNC 3/8-16	Mounting Screw	UNC 1/4-20
Loading	5kg	Weight	760g

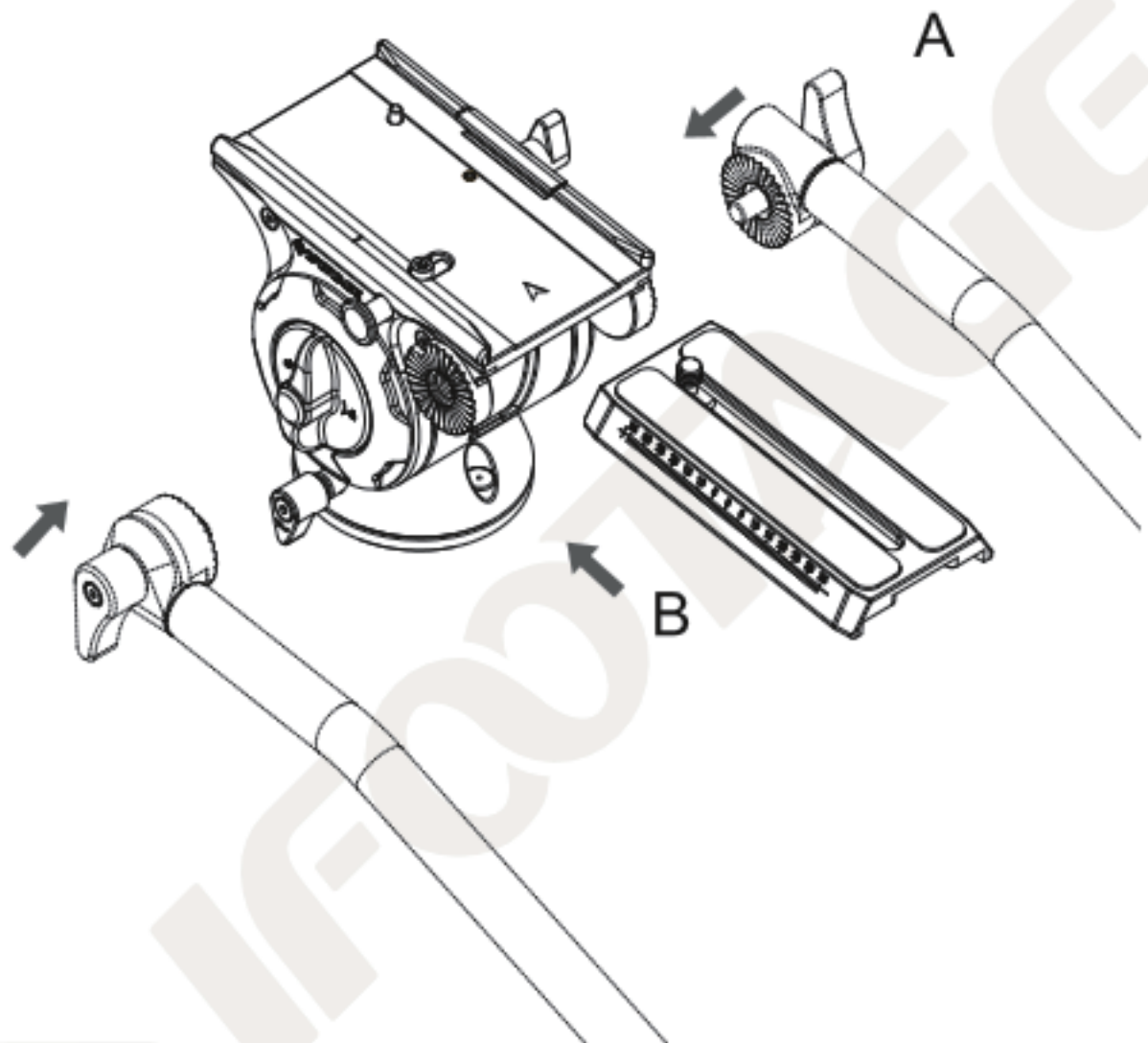
Parts Name [REDACTED]



- 1** 1/4" screw
- 2** Quick Release Plate
- 3** Anti-Pin
- 4** Tilt Locking Button
- 5** Bubble Spirit Level
- 6** Pan Locking Button
- 7** Quick Release Plate Locking Button
- 8** Pan Bar Locking Button
- 9** Pan Bar

## User Guide and More Functions

### ■ How to mount the head



The head is supplied with a removable handle "A" . It can be mounted either side of the head by screwing to the fluid head body. User to be able to adjust the angle of the handle.

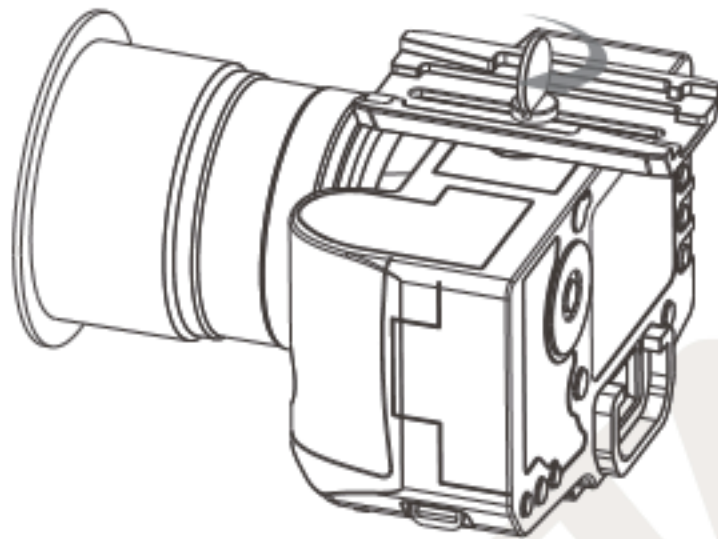
Install either side of the quick release plate "B" on the fluid head according to the marker. Then fasten the quick release plate locking button.



## User Guide and More Functions

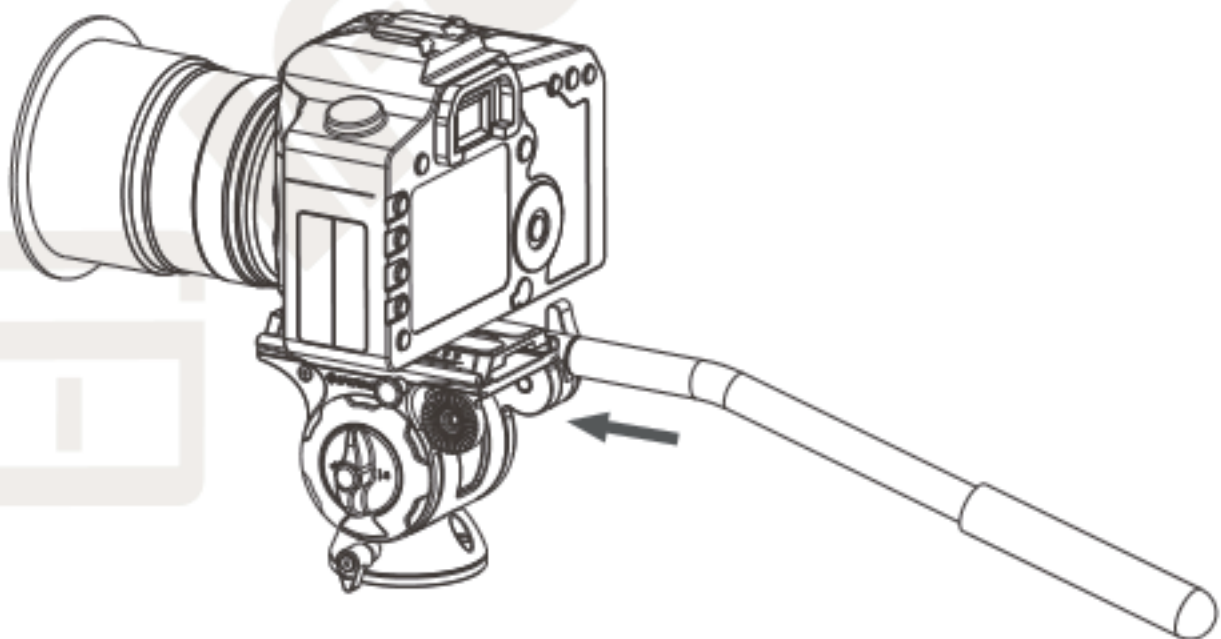
### ■ How to mount the quick release plate

Use a coin or 4mm wrench to tighten the 1/4" screw to the bottom of the camera. Adjust the quick release plate accordingly to balance the camera after the mounting.



### ■ How to install the camera on the head

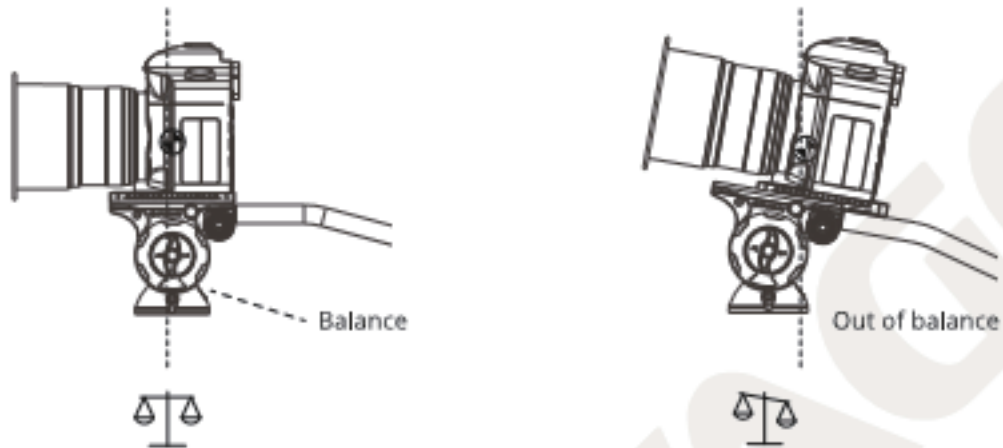
Install the quick release plate to the dovetail slot and lock the quick release plate button.



# User Guide and More Functions

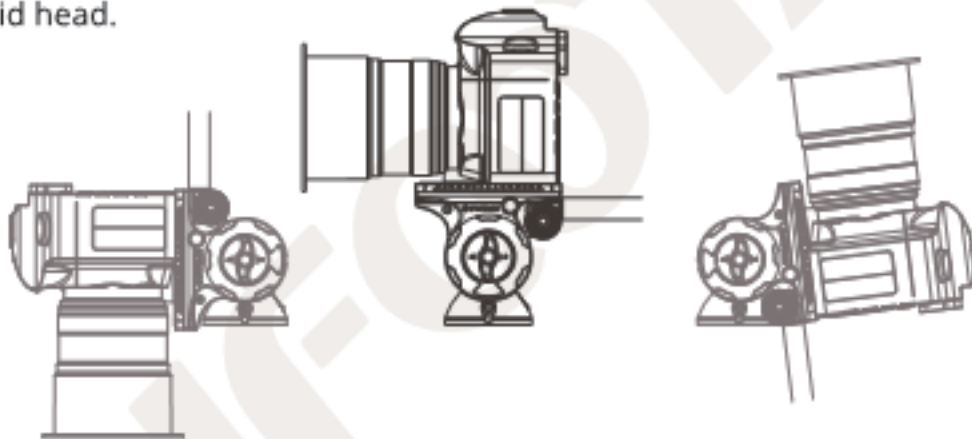
## ■ How to balance the camera on the head

1. Loosen the tilt locking button
2. Slide the camera backwards and forwards until the whole section of camera and fluid head is at the same level.



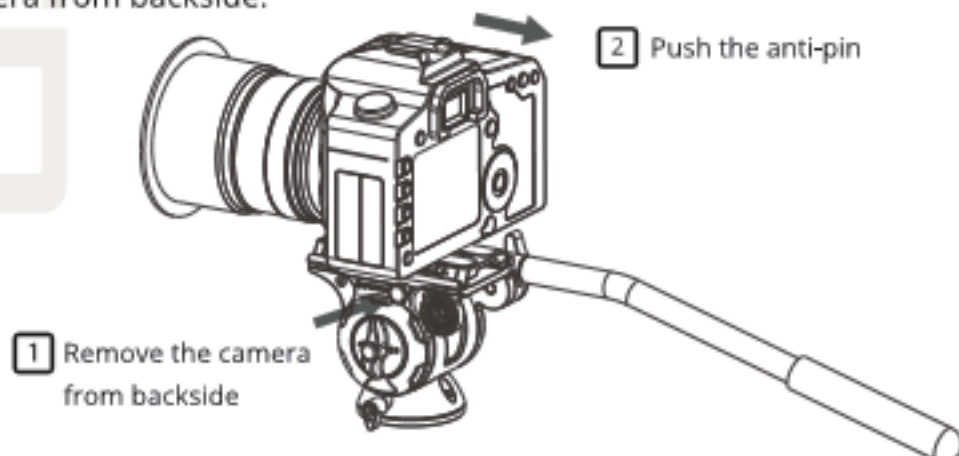
## ■ How to adjust the angle

The fluid head moves 360° pan and +90°/-83° tilt by rotating the handle of the fluid head.



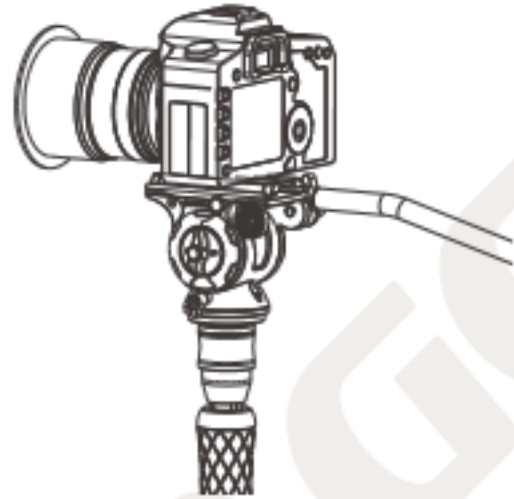
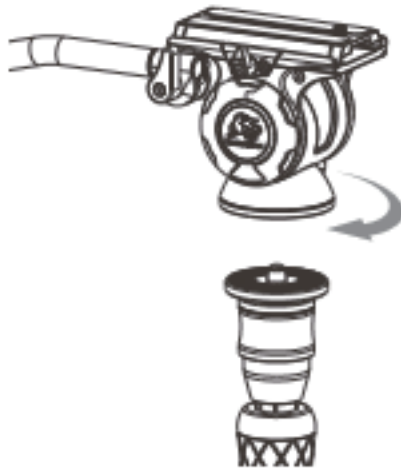
## ■ How to remove the camera from the fluid head

Loosen the quick release plate locking button, push the anti-pin pin and remove the camera from backside.

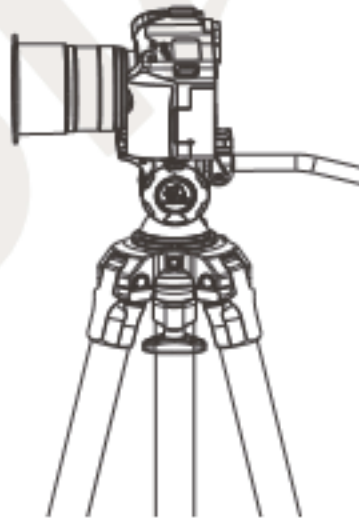
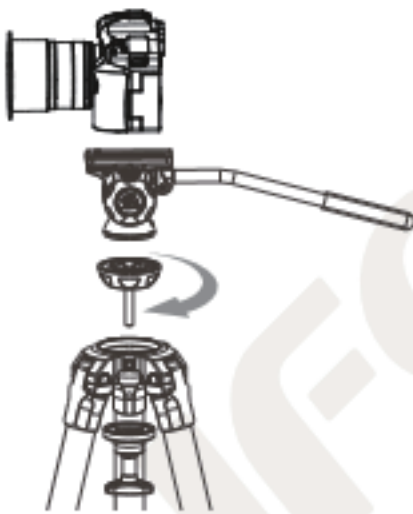


## How to mount Komodo fluid head

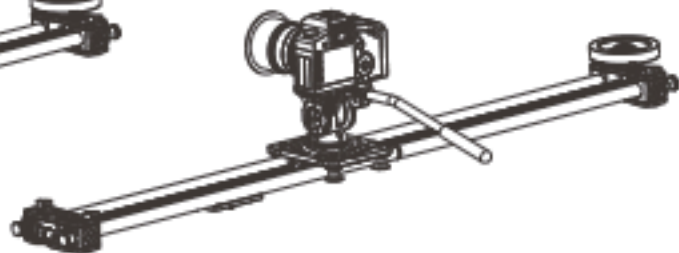
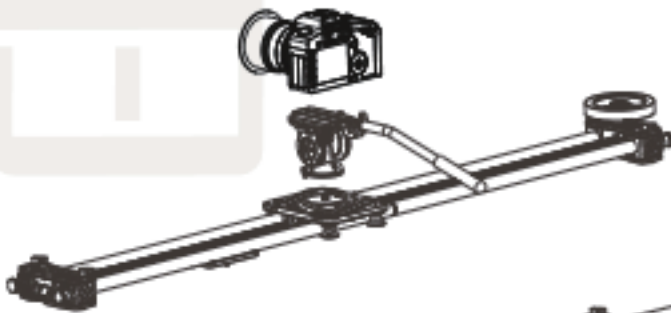
- Connect to the monopod



- Connect to the tripod



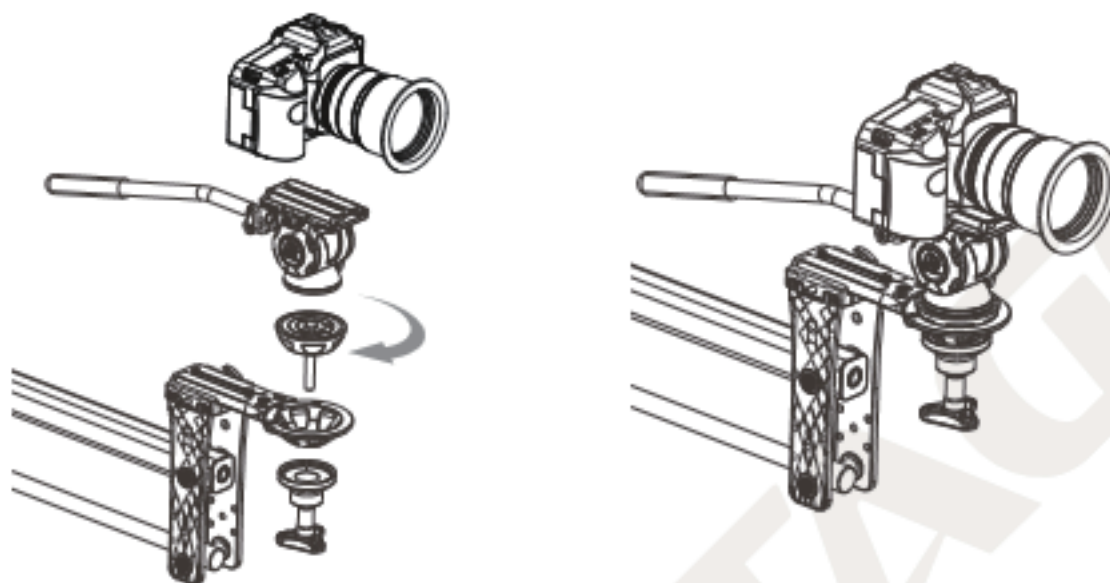
- Connect to the slider





## How to mount Komodo fluid head

- Connect to the mini crane



## Maintenance

1. Please check the tightness of each screw or joint section before use. Do not over tighten them as this will damage the parts.
2. Do not over loosen the handle as it will drop out. Gently adjust the balance or remove safely. Do not over tighten it as it will damage the threading.
3. After operation in rain, snow or in water, clean the head with a damp cloth. Let the head rest in place for a while and pack it after the moisture evaporates.
4. Handle all parts gently and avoid external pressure during storage.

\*Notice: Please note that the camera, tripod and mini crane are not included in the packages and only for illustrative purposes.

\*iFootage reserves the right of rectifying all hardware and software specification at any time without any notice. If there are any differences between the contents of the instruction and the product, please regard the actual product as the truth.

## INFORMATION OF MANUFACTURER



IFOOTAGE INTERNATIONAL(HK) LIMITED

UK Design & Made in China

Origin: China

Website: [www.ifootagegear.com](http://www.ifootagegear.com)