

# COBRA 2

A120 | A180 | C120 | C180

Monopod  
User Manual





# Catalog

|   |   |
|---|---|
| ■ Features                                      | 1 |
| ■ In the box                                    | 1 |
| ■ Technical Data                                | 2 |
| ■ Parts Name                                    | 2 |
| ■ User Guide and More Functions                 | 3 |
| • How to mount the head                         | 3 |
| • How to control the monopod                    | 5 |
| • How to adjust angle                           | 5 |
| • How to operate monopod and low profile tripod | 6 |
| • How to extend the height of monopod           | 7 |
| • How to use low profile tripod                 | 7 |
| ■ Maintenance                                   | 8 |

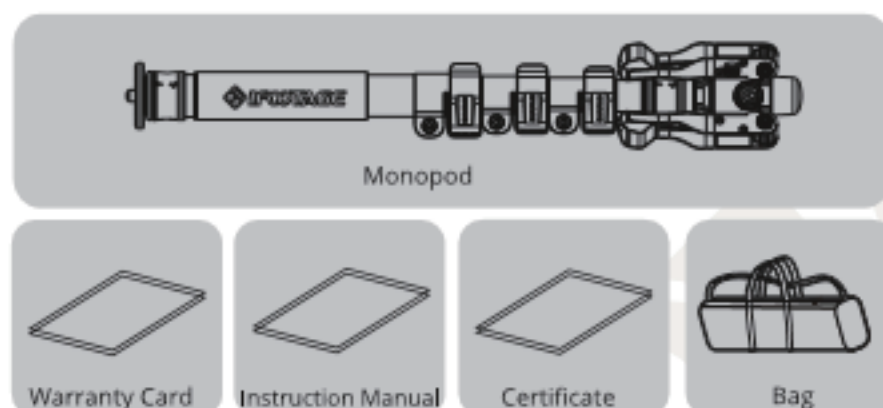


Thank you for purchasing iFootage product. This manual is designed for COBRA2-A120/A180/C120/C180 Monopod. To get the most of your Monopod, please read the manual fully before use and keep the manual safe for future reference.

## Features

1. The unique quick lock structure allows to rapidly act.
2. It integrates the monopod, alpenstock and low profile tripod into one. Easy to get functions switching.
3. The low profile tripod is available for 3-angle adjustment.
4. Easy to store and carry. It is a great choice for travel and outdoor shooting.

## In the box



\* Do not loose any of the articles listed above.

## Technical Data

### COBRA2-C120

|                 |              |
|-----------------|--------------|
| Section         | 4            |
| Maximum Load    | 10kg         |
| Weight          | 1.25kg       |
| Folded Height   | 55±1CM       |
| Extended Height | 120±1CM      |
| Material        | Carbon Fiber |

### COBRA2-C180

|                 |              |
|-----------------|--------------|
| Section         | 4            |
| Maximum Load    | 10kg         |
| Weight          | 1.35kg       |
| Folded Height   | 70.5±1CM     |
| Extended Height | 180±1CM      |
| Material        | Carbon Fiber |

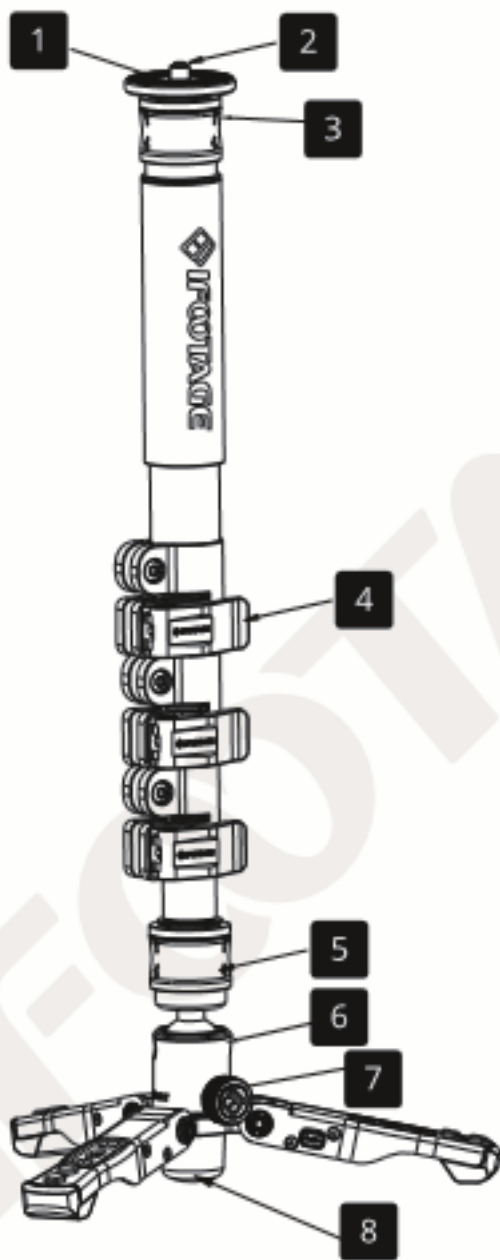
### COBRA2-A120

|                 |                |
|-----------------|----------------|
| Section         | 4              |
| Maximum Load    | 8kg            |
| Weight          | 1.35kg         |
| Folded Height   | 55±1CM         |
| Extended Height | 120±1CM        |
| Material        | Aluminum Alloy |

### COBRA2-A180

|                 |                |
|-----------------|----------------|
| Section         | 4              |
| Maximum Load    | 8kg            |
| Weight          | 1.51kg         |
| Folded Height   | 70.5±1CM       |
| Extended Height | 180±1CM        |
| Material        | Aluminum Alloy |

Parts Name



**1** Head

**2** 1/4"Screw/3/8"Screw

**3** Top lock

**4** Buckle

**5** Bottom Lock

**6** Low Profile Tripod

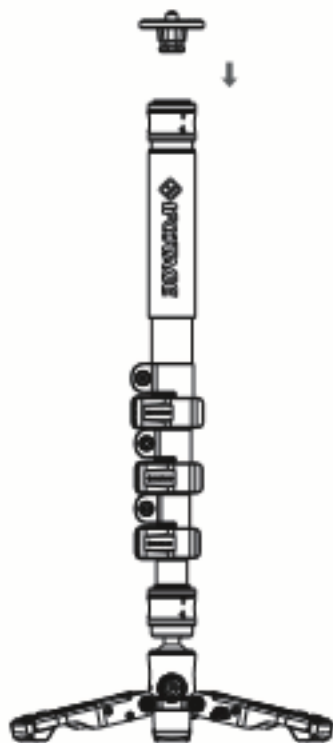
**7** Angle Adjustment Knob

**8** Pad

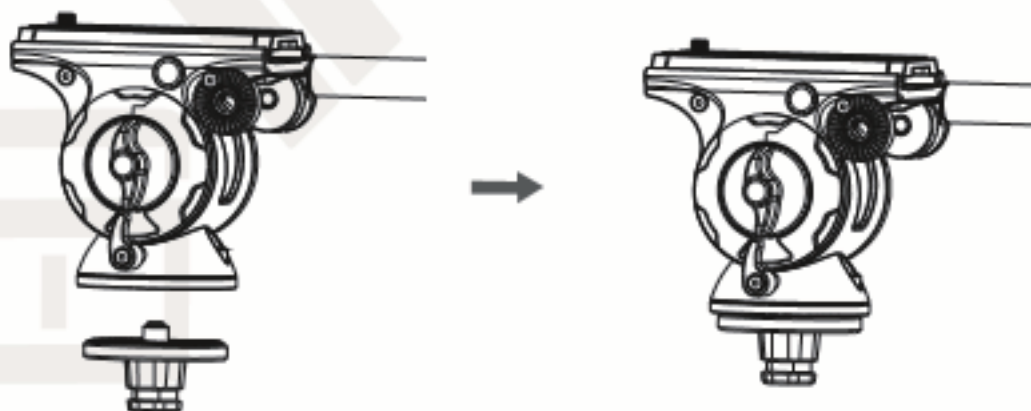
## User Guide and More Functions

### ■ How to mount the head

Step 1 :Push down the top lock and remove the head.

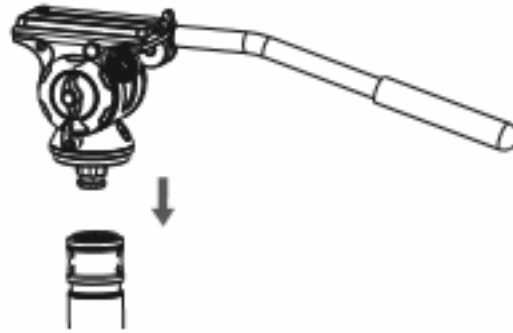


Step 2:Tighten the 1/4"Screw/3/8"Screw to the 3/8" adapter hole of Pan Head.

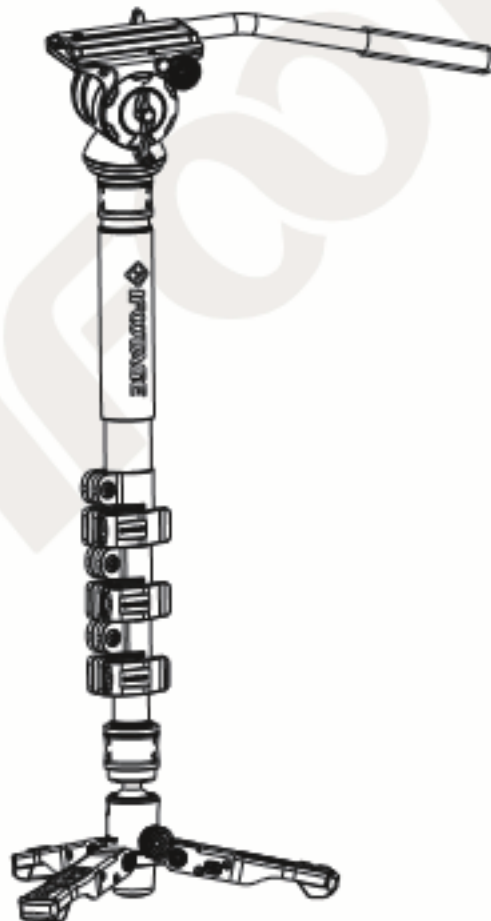


## User Guide and More Functions

Step 3: Push down the top lock and push down the pan head to the monopod.



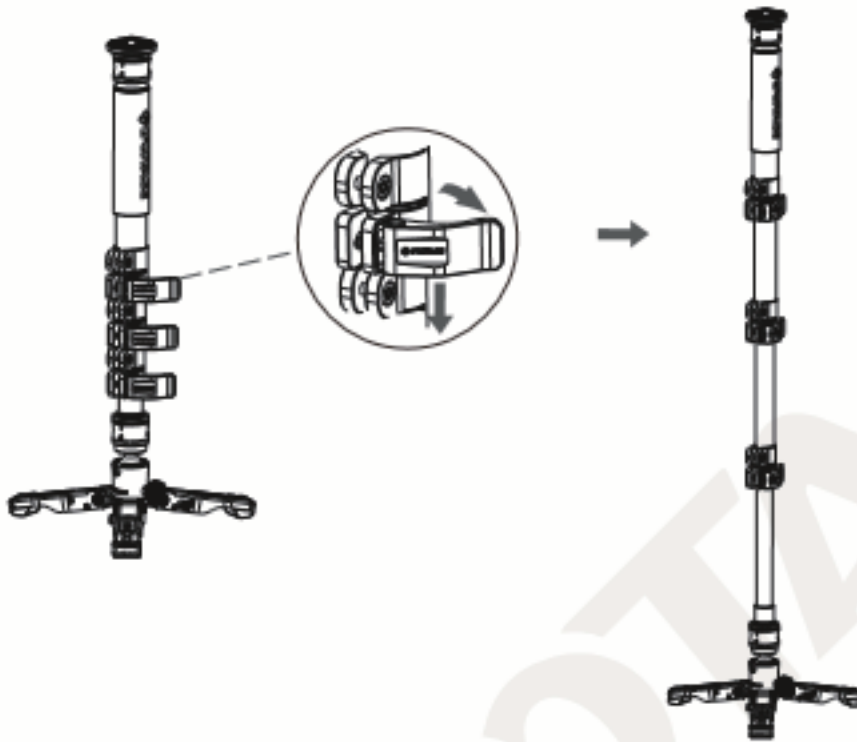
Step 4: Release the top lock to secure the pan head.



# User Guide and More Functions

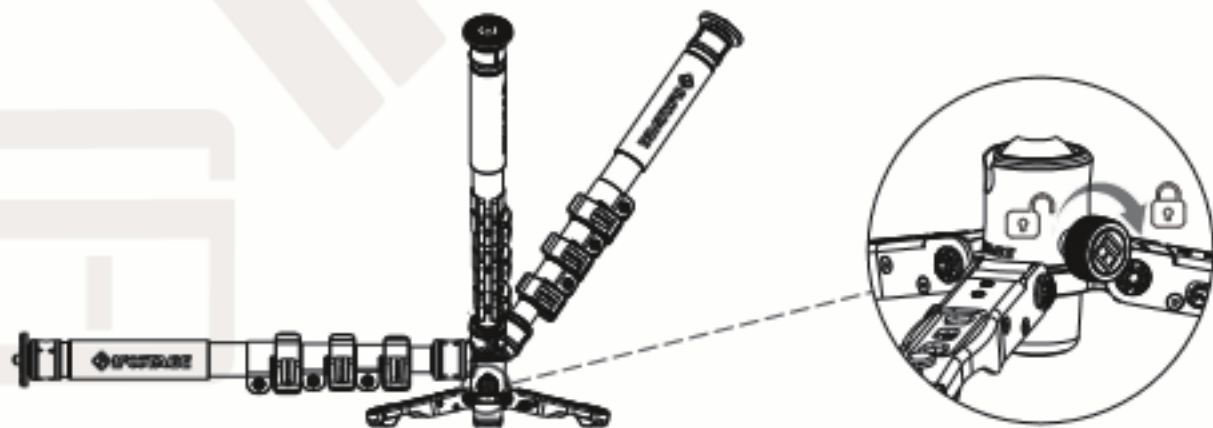
## ■ How to control the monopod

Flip up the buckles to extend the telescopic section.



## ■ How to adjust angle

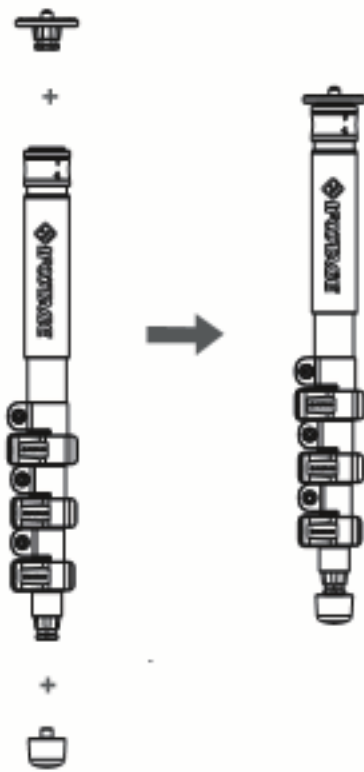
Loosen the locking knob and adjust the angle. The angle from 0 to 90° maximum.



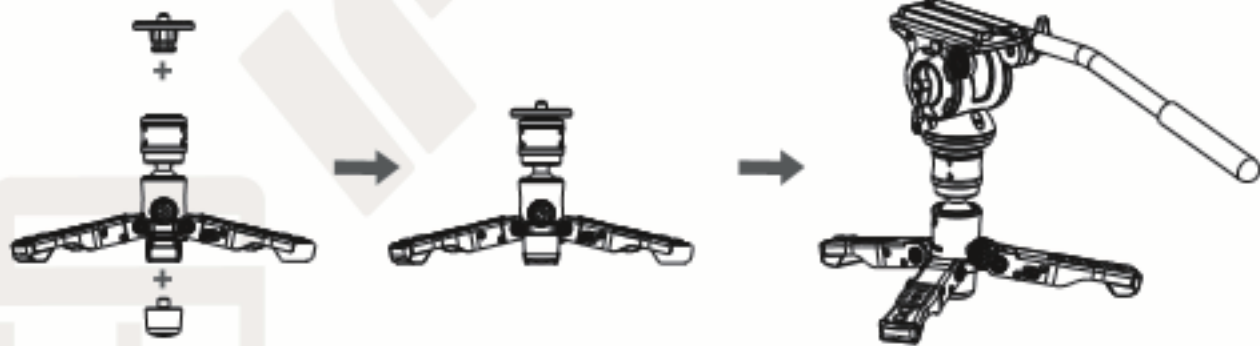


# User Guide and More Functions

## ■ How to operate monopod and low profile tripod



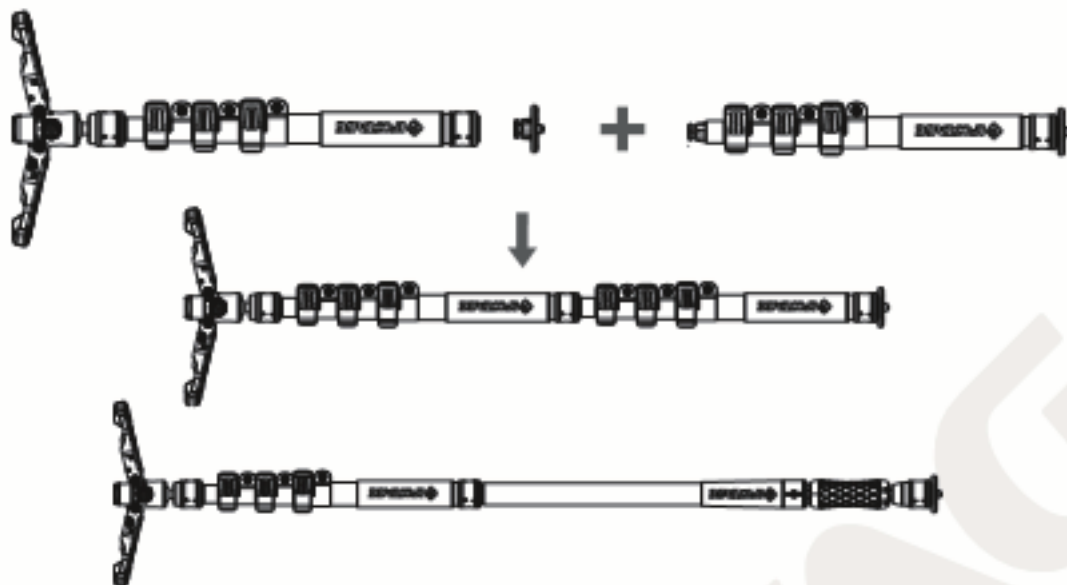
Monopod



Low Profile Tripod

## User Guide and more functions

### ■ How to extend the height of monopod



Multiple monopods can be connected together.

### ■ How to use low profile tripod



Press the Push Button to adjust the angle.



## Maintenance

1. Please check the tightness of each screw or joint section before use. Do not over tighten them as this will damage the tube section or parts.
2. Gently loosen the upper/down lock sleeve and then it locks automatically. Do not push it hard as this will be difficult to take the head.
3. After operation in rain, snow or in water, extend the tube sections and clean them with a damp cloth. Let the tube rest in place for a while and fold it after the moisture evaporates.
4. Handle all parts gently and avoid external pressure during storage.
5. If there is sand inside the tubes, please clean it using a small brush. After cleaning, the lubricant must only be applied on a few parts of the component. The other parts will automatically be lubricated along with the movement of screw threads. Do not apply regular machine oil or lubrication oil as this will impair the function of the parts. The suggested professional lubricant is the best choice.

\* iFootage reserves the right of rectifying all hardware and software specification at any time without any notice . If there are any differences between the contents of the instruction and the product, please regard the actual product as the truth.



INFORMATION OF MANUFACTURER



IFOOTAGE INTERNATIONAL(HK) LIMITED

UK Design & Made in China

Origin: China

Website: [www.ifootagegear.com](http://www.ifootagegear.com)