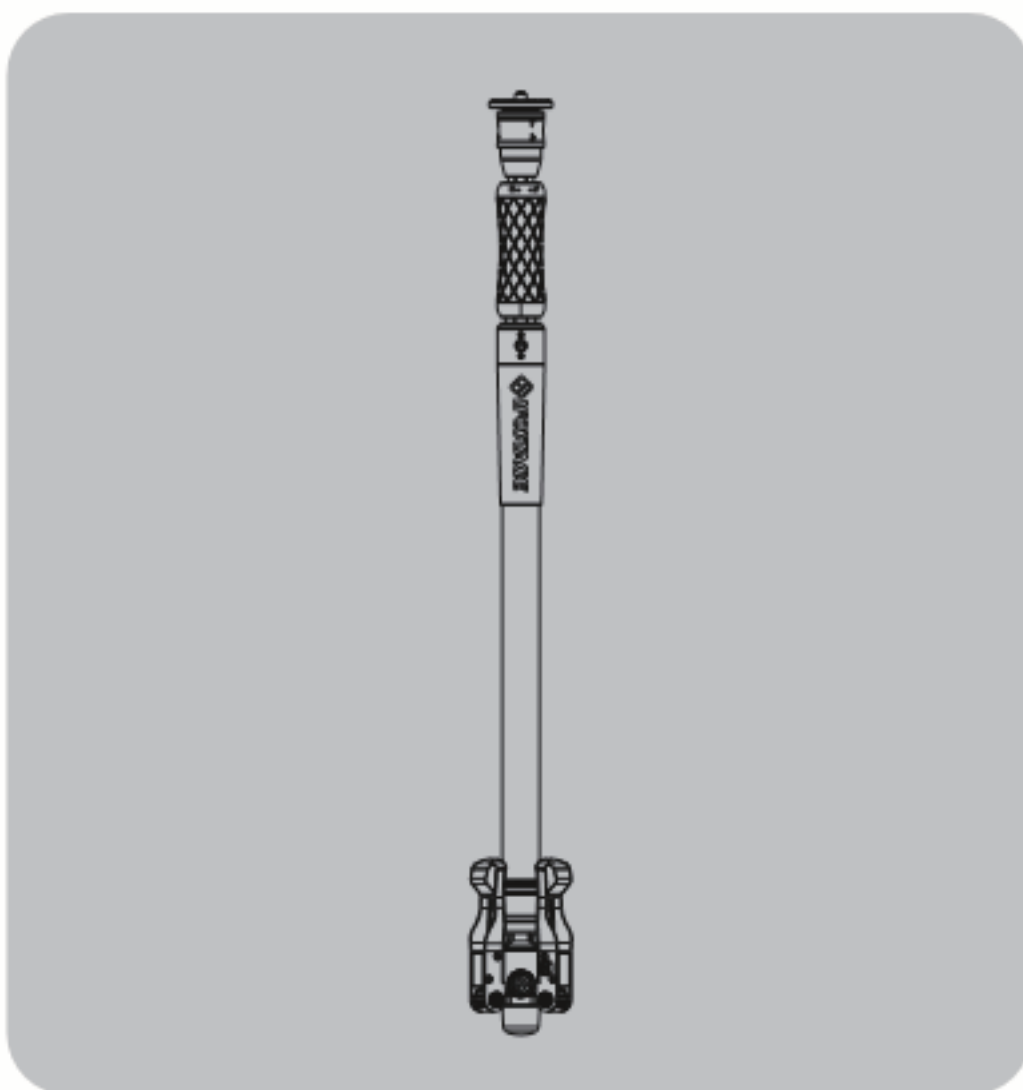


COBRA 2

STRIKE A150S

Monopod
User Manual



Catalog

■ Features	1
■ In the box	1
■ Technical Data	2
■ Parts Name	2
■ User Guide and More Functions	3
• How to mount the head	3
• How to control the monopod	5
• How to adjust angle	5
• How to adjust the gap	5
• How to operate monopod and low profile tripod	6
• How to extend the height of monopod	7
• How to use low profile tripod	7
■ Maintenance	8

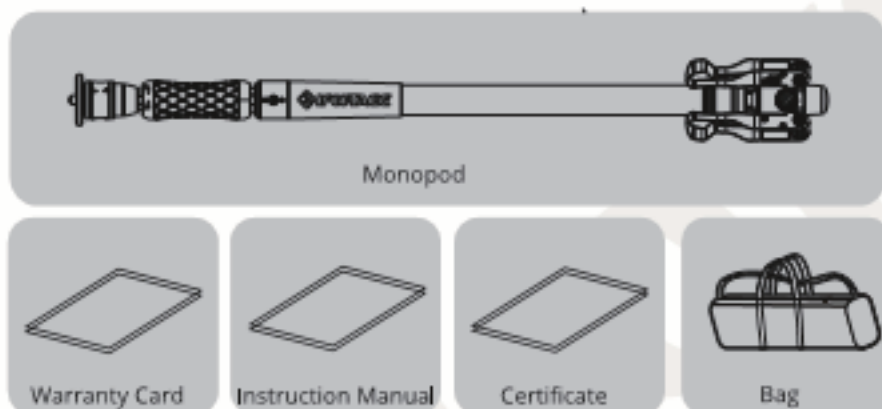


Thank you for purchasing iFootage product. This manual is designed for COBRA V1 Monopod. To get the most of your Monopod, please read the manual fully before use and keep the manual safe for future reference.

Features

- 1.The unique quick locking system allows rapid deployment.
- 2.Extend the sections only by one button, much faster and efficient than other monopod.
- 3.It integrates the monopod, lightstand, low profile tripod and many other functions into one.
- 4.The low profile tripod has 3-angle adjustment.

In the box



* Do not lose any of the items listed above.

Technical Data

Section	3	Folded Height	81±1CM
Maximum Load	8kg	Extended Height	150±1CM
Weight	1.37kg	Material	Aluminum Alloy

Parts Name



1 Head

2 1/4\"Screw/ 3/8\" Screw

3 Top lock

4 Locking Knob

5 Gap Adjustment Screw

6 Bottom lock

7 Low Profile Tripod

8 Angle Adjustment Knob

9 Pad

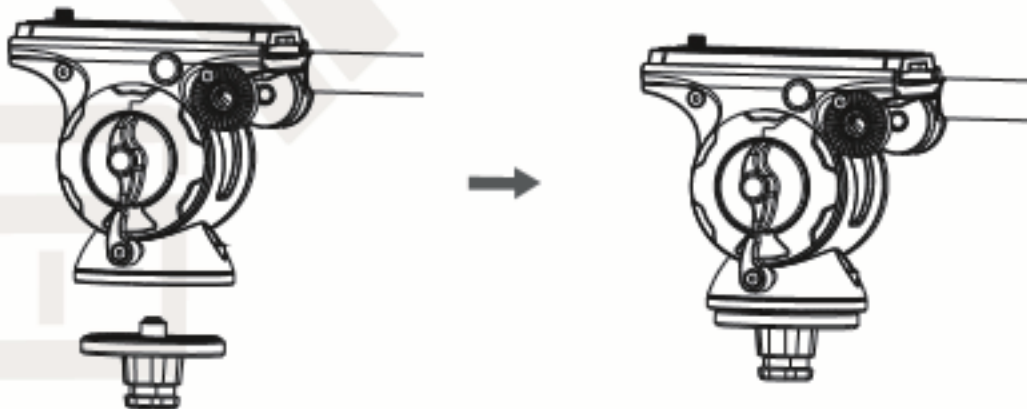
User Guide and More Functions

■ How to mount the head

Step 1 :Push down the top lock and remove the head.

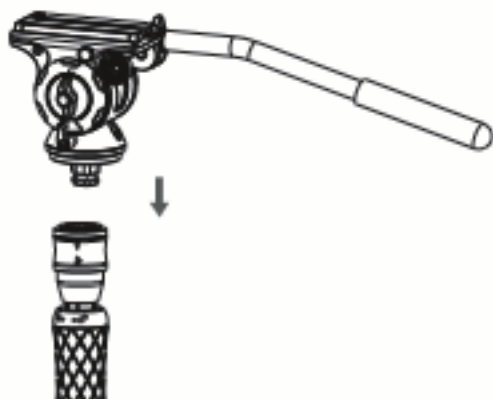


Step 2:Tighten the 1/4" screw / 3/8" screw to the 3/8" adapter hole of Pan Head.

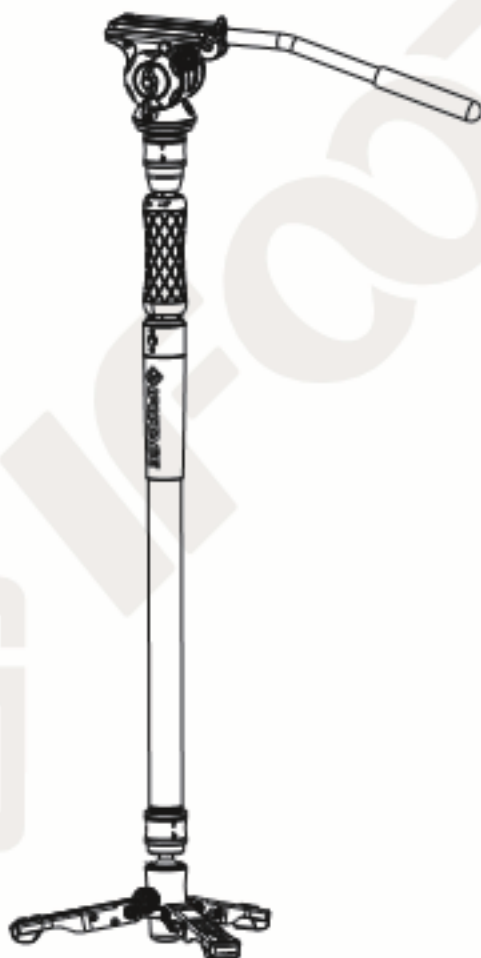


User Guide and More Functions

Step 3: Push down the top lock,
push down the pan head to the monopod .



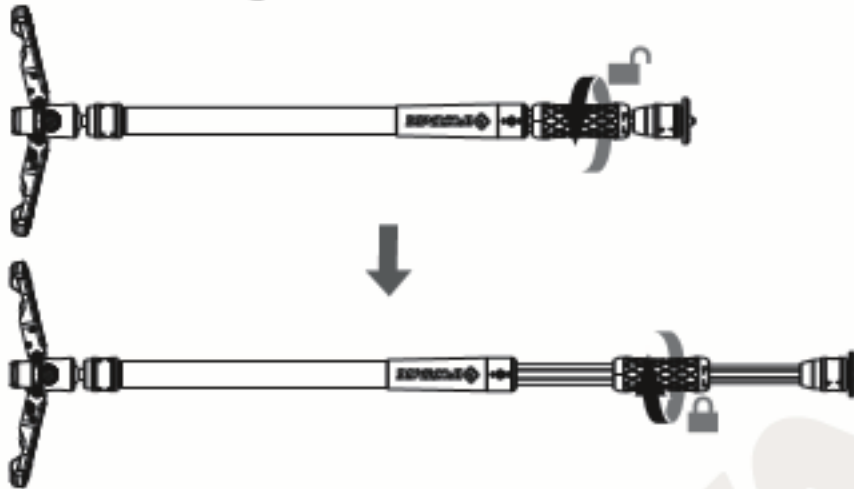
Step 4: Release the top lock to secure the pan head.



User Guide and More Functions

■ How to control the monopod

Rotate the locking knob clockwise and extend the telescopic section.



■ How to adjust angle

Loosen the locking knob and adjust the angle. The angle from 0 to 90° maximum.

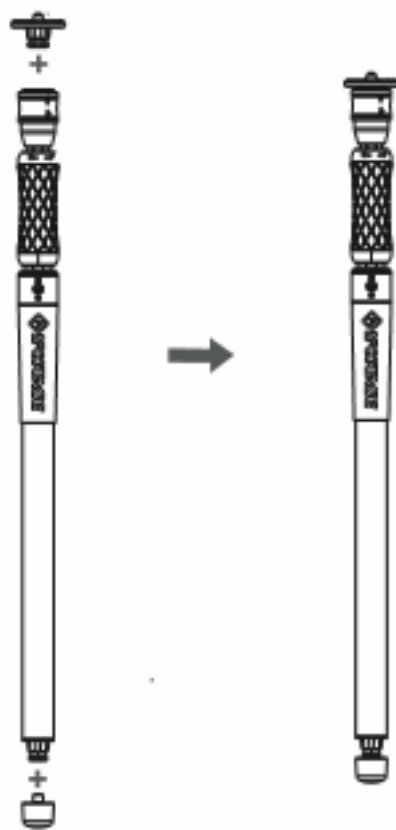


■ How to tighten the gap

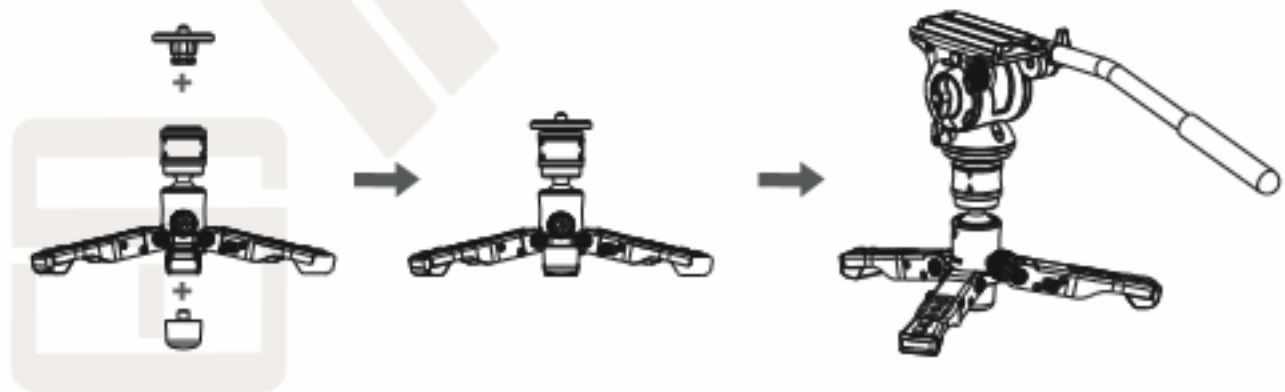


User Guide and More Functions

- How to operate monopod and low profile tripod



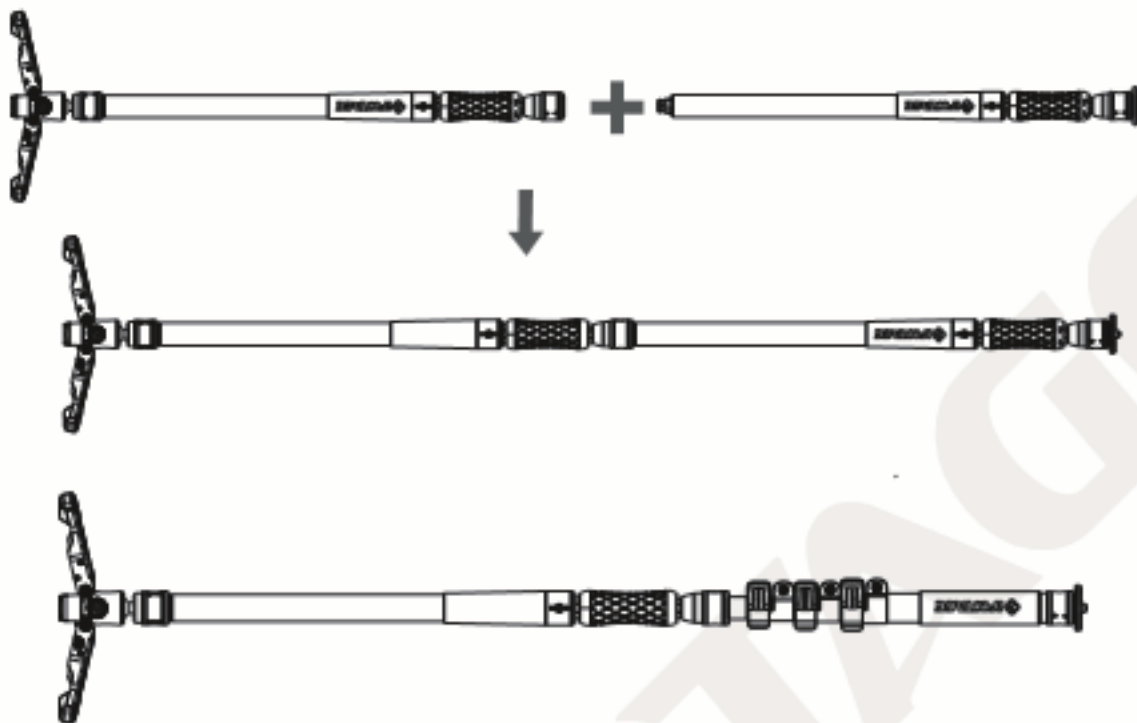
Monopod



Low profile tripod

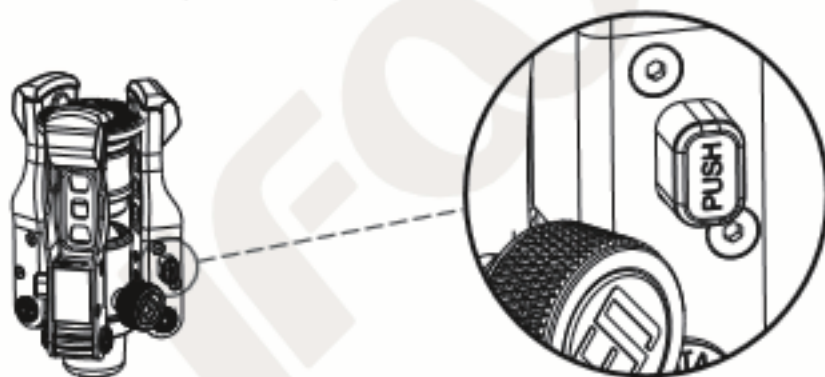
User Guide and More Functions

■ How to extend the height of monopod



Multiple monopods can be connected together.

■ How to use low profile tripod



Press the Push Button to adjust the angle.



20°



50°



78°

Maintenance

1. Please check the tightness of each screw or joint section before use. Do not over tighten them as this will damage the tube section or parts.
2. Gently loosen the upper/down locks sleeve and then it locks automatically. Do not push it hard as this will be difficult to take the head.
3. After operation in rain, snow or in water, extend the tube sections and clean them with a damp cloth. Let the tube rest in place for a while and fold it after the moisture evaporates.
4. Handle all parts gently and avoid external pressure during storage.
5. If there is sand inside the tubes, please clean it using a small brush. After cleaning, the lubricant must only be applied on a few parts of the component. The other parts will automatically be lubricated along with the movement of screw threads. Do not apply regular machine oil or lubrication oil as this will impair the function of the parts. The suggested professional lubricant is the best choice.

* iFootage reserves the right of rectifying all hardware and software specification at any time without any notice. If there are any differences between the contents of the instruction and the product, please regard the actual product as the truth.



INFORMATION OF MANUFACTURER



IFOOTAGE INTERNATIONAL(HK) LIMITED

UK Design & Made in China

Origin : China

Website : www.ifootagegear.com